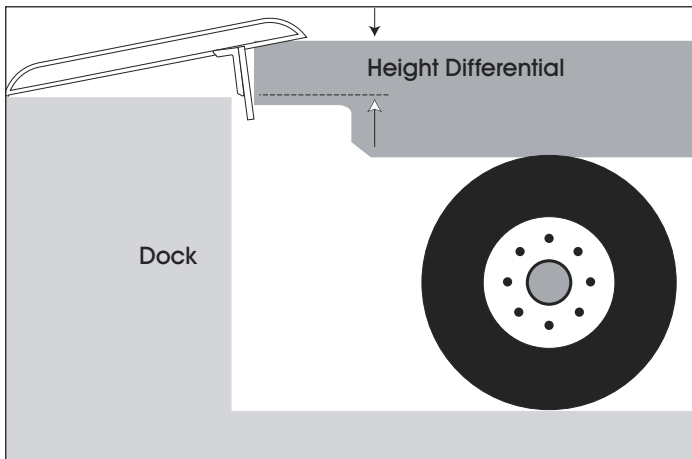


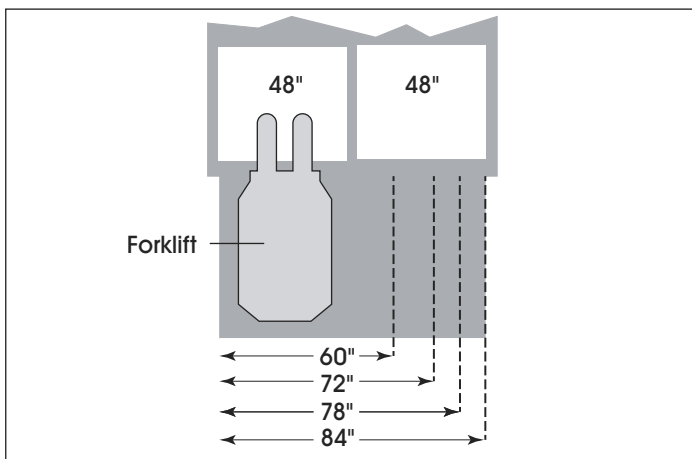
# ULINE Dock Boards and Dock Plates Guide

Use this guide to determine which dock board and dock plate are right for you.



## HEIGHT DIFFERENTIAL

The difference in height between the dock and the truck bed. Most trailers feature a 55" truck bed height. Refrigerated trailers are usually 59".



## WIDTH

The dock board width should exceed the overall width of the pallet or vehicle used by at least 12-18". Wider boards allow for improved mobility and efficiency.

CAPACITY SELECTION CHART		
LIFTING CAPACITY (LBS)		BOARD CAPACITY (LBS)
3-WHEEL FORKLIFT	4-WHEEL FORKLIFT	
2,000-2,500	2,000-3,000	10,000
2,500-3,500	3,000-5,000	15,000
3,500-5,000	5,000-6,000	20,000

## CAPACITY

**Dock Plate:** The capacity must exceed the combined weight of the heaviest load and the vehicle's weight.

**Dock Board:** Three times the vehicle lifting capacity. More for three-wheeled forklifts.