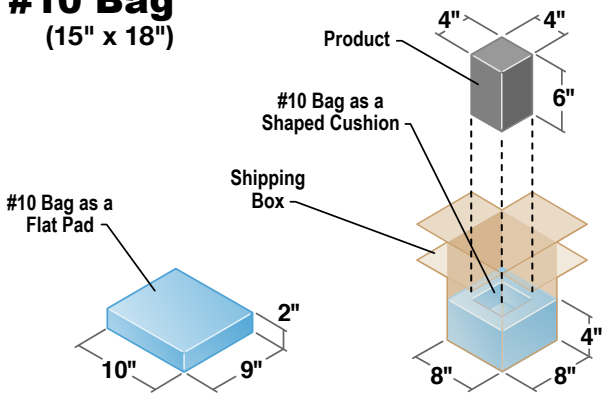


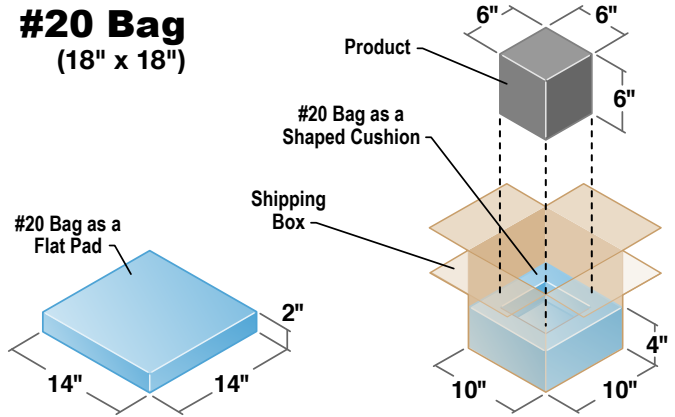
# Instapak Quick® RT

Foam Packaging - Bag Volumetric Guide

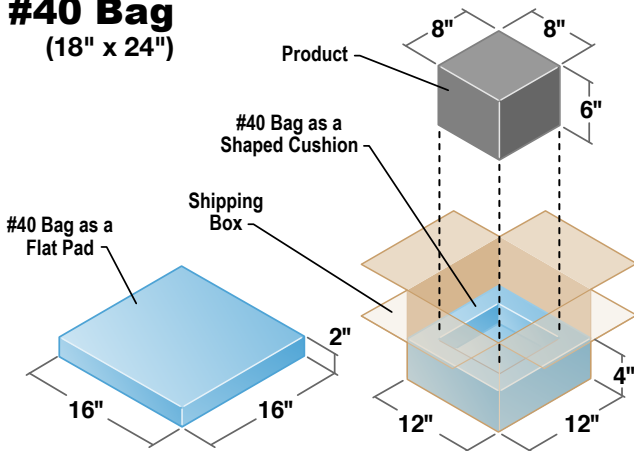
## #10 Bag (15" x 18")



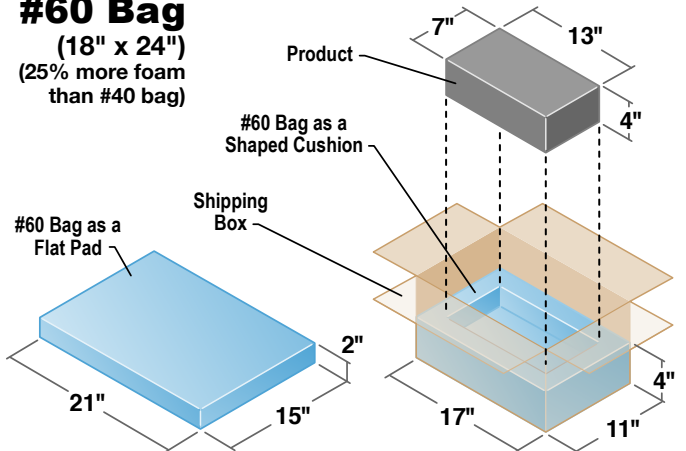
## #20 Bag (18" x 18")



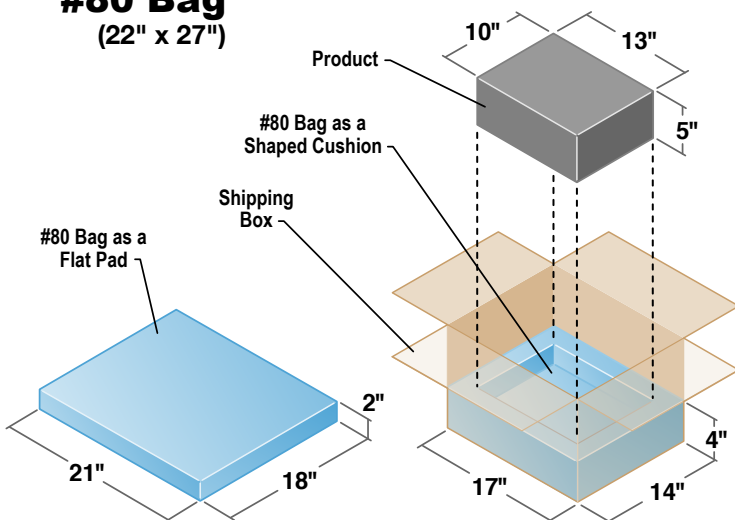
## #40 Bag (18" x 24")



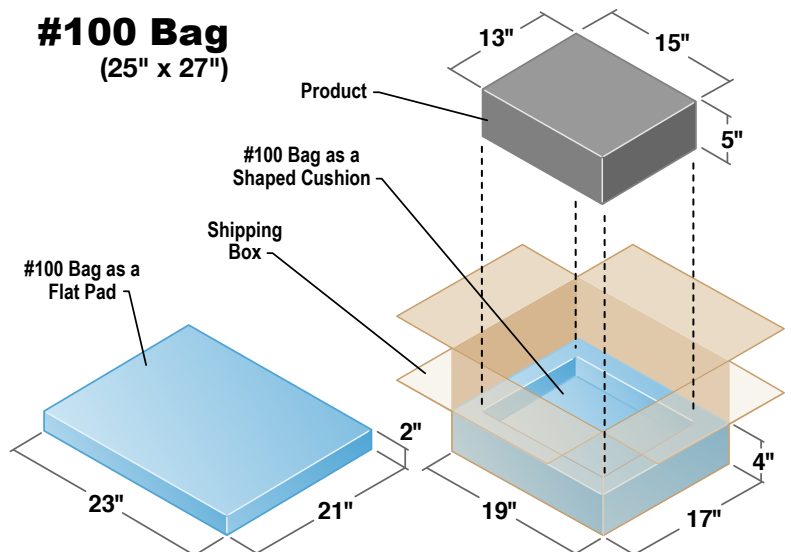
## #60 Bag (18" x 24") (25% more foam than #40 bag)



## #80 Bag (22" x 27")



## #100 Bag (25" x 27")



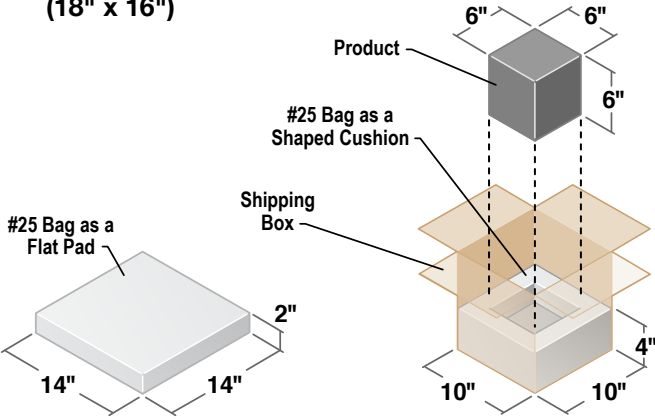
**Note:** This guide illustrates approximate Instapak Quick® RT cushion volumes. These volumes may vary with box size, product size, and packaging technique.

**Note:** Due to their shape and size, some products may require more than two Instapak Quick® RT foam bags for adequate protection. This is a common occurrence when using the foam-in-bag packaging process.

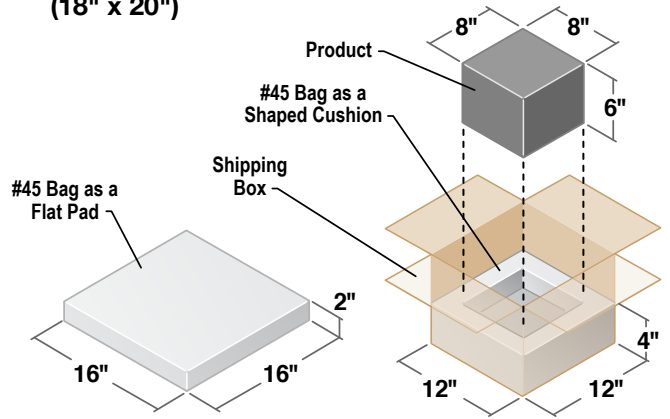
# Instapak Quick Tuff® RT

Foam Packaging - Bag Volumetric Guide

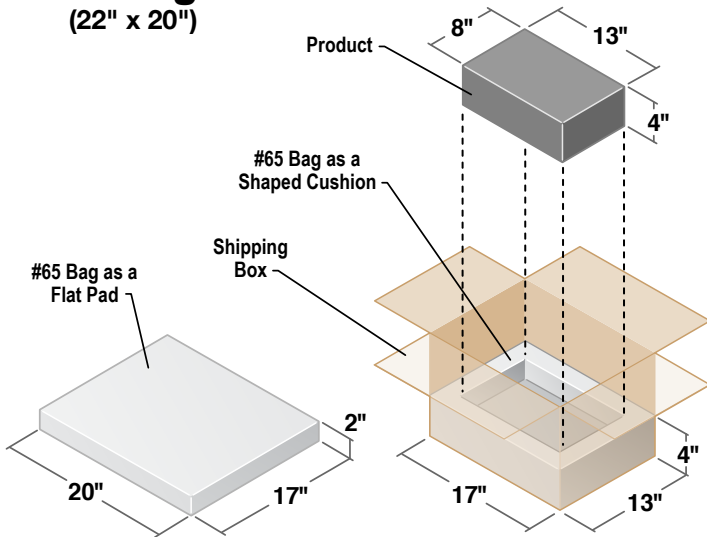
## #25 Bag (18" x 16")



## #45 Bag (18" x 20")



## #65 Bag (22" x 20")



Instapak Quick® RT and Instapak Quick Tuff® RT foam packaging are fast, flexible, and easy-to-use packaging materials that provide superior protection for your products. Both are ideal for cushioning, blocking and bracing applications, and for producing molded cushions.

This information is provided solely as a guide. Variables including product shape, product fragility and cushioning thickness may impact the performance of the packaging material. The user should test the application to determine the suitability of Instapak Quick® RT and Instapak Quick Tuff® RT foam packaging for the intended use.

**Note:** This guide illustrates approximate Instapak Quick Tuff® RT cushion volumes. These volumes may vary with box size, product size, and packaging technique.

**Note:** Due to their shape and size, some products may require more than two Instapak Quick Tuff® RT foam bags for adequate protection. This is a common occurrence when using the foam-in-bag packaging process.