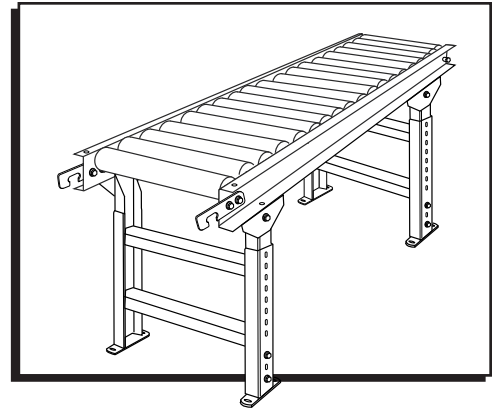


**ULINE** H-6902, H-6903  
H-6904

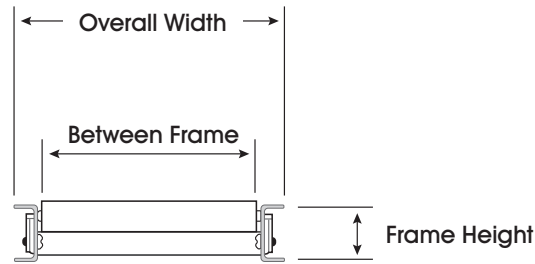
1-800-295-5510  
uline.com

# 36" HEAVY DUTY CONVEYOR

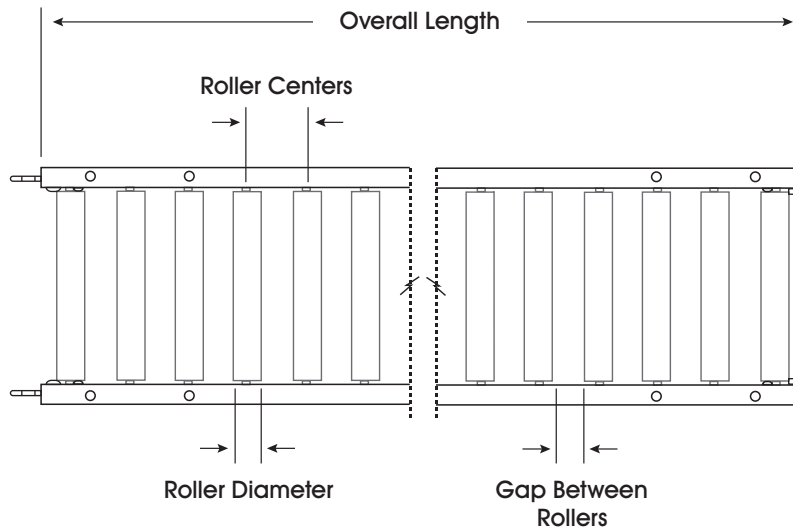
CONVEYOR



END VIEW



TOP VIEW

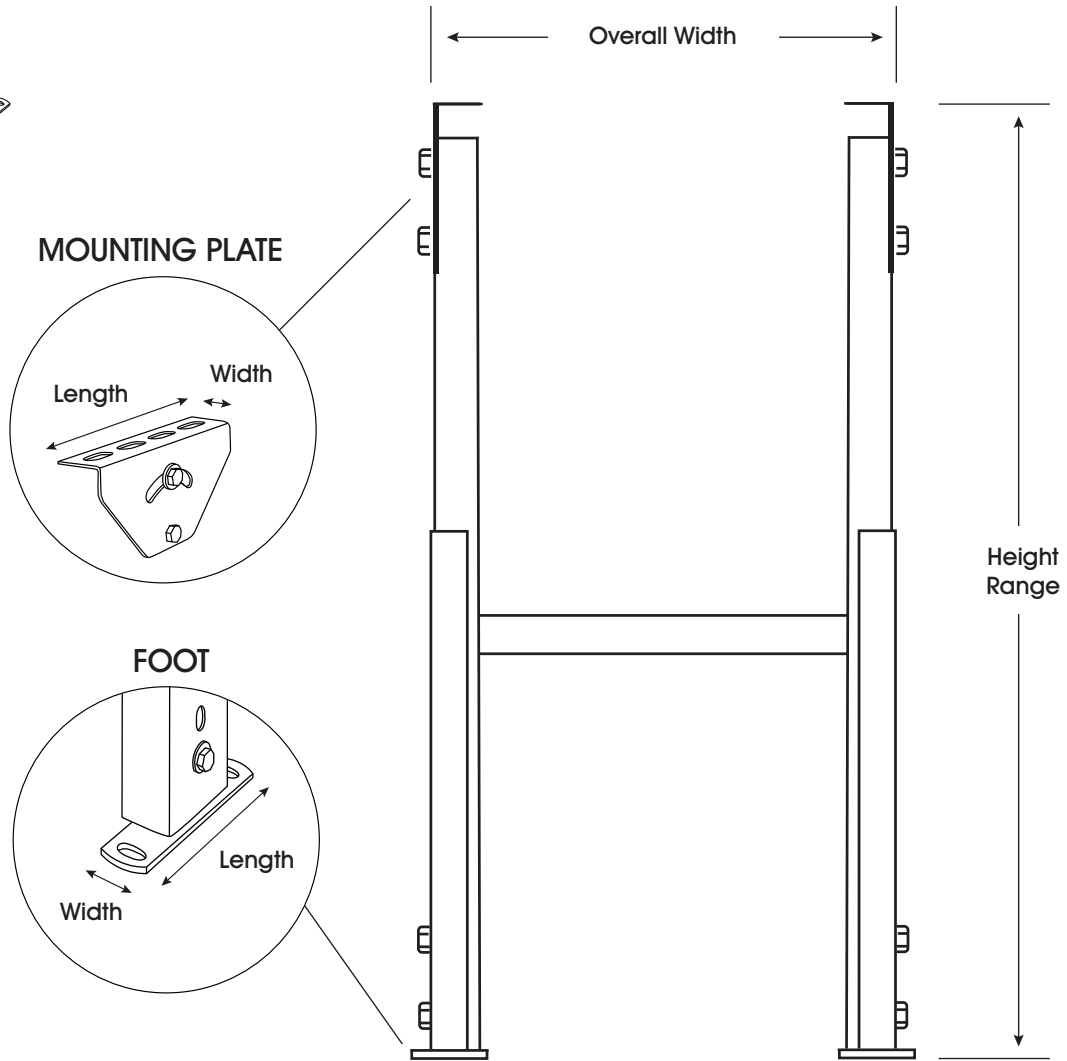
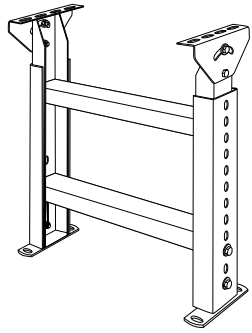


## CONVEYOR SPECIFICATIONS

| MODEL # | WIDTH         |               | FRAME HEIGHT | ROLLER DIAMETER | ROLLER CENTERS | GAP BETWEEN ROLLERS | OVERALL LENGTH |
|---------|---------------|---------------|--------------|-----------------|----------------|---------------------|----------------|
|         | OVERALL WIDTH | BETWEEN FRAME |              |                 |                |                     |                |
| H-6902  | 36"           | 33"           | 3.5"         | 1.9"            | 3"             | 1.1"                | 5'             |
| H-6903  |               |               |              |                 |                |                     | 10'            |

# SPECIFICATIONS CONTINUED

## H-STAND



## H-STAND SPECIFICATIONS

| MODEL # | OVERALL WIDTH | HEIGHT RANGE | MOUNTING PLATE LENGTH | MOUNTING PLATE WIDTH | FOOT LENGTH | FOOT WIDTH |
|---------|---------------|--------------|-----------------------|----------------------|-------------|------------|
| H-6904  | 36"           | 24-36"       | 8"                    | 1.5"                 | 6.25"       | 1.5"       |

**ULINE** CHICAGO • ATLANTA • DALLAS • LOS ANGELES • MINNEAPOLIS • NYC/PHILA • SEATTLE • MEXICO • CANADA

1-800-295-5510

uline.com