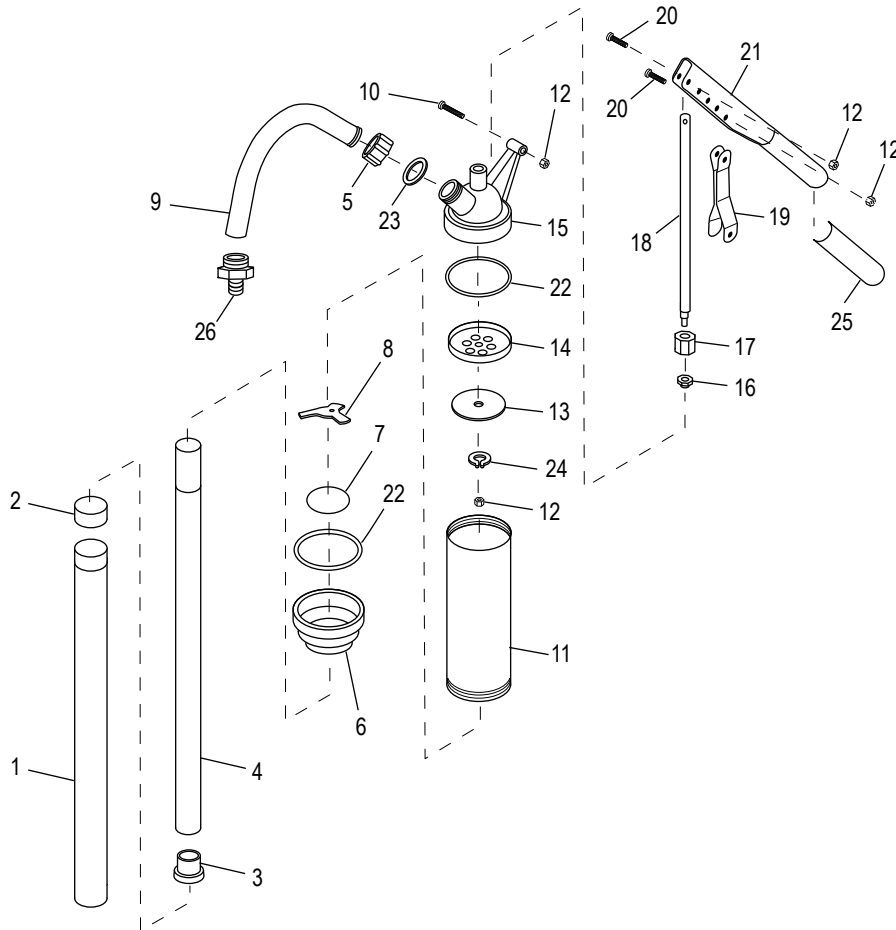
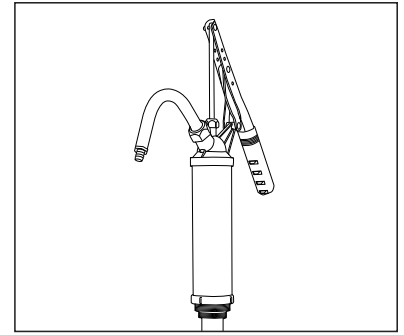


ULINE H-9774

STAINLESS STEEL LEVER ACTION PUMP

1-800-295-5510
 uline.com



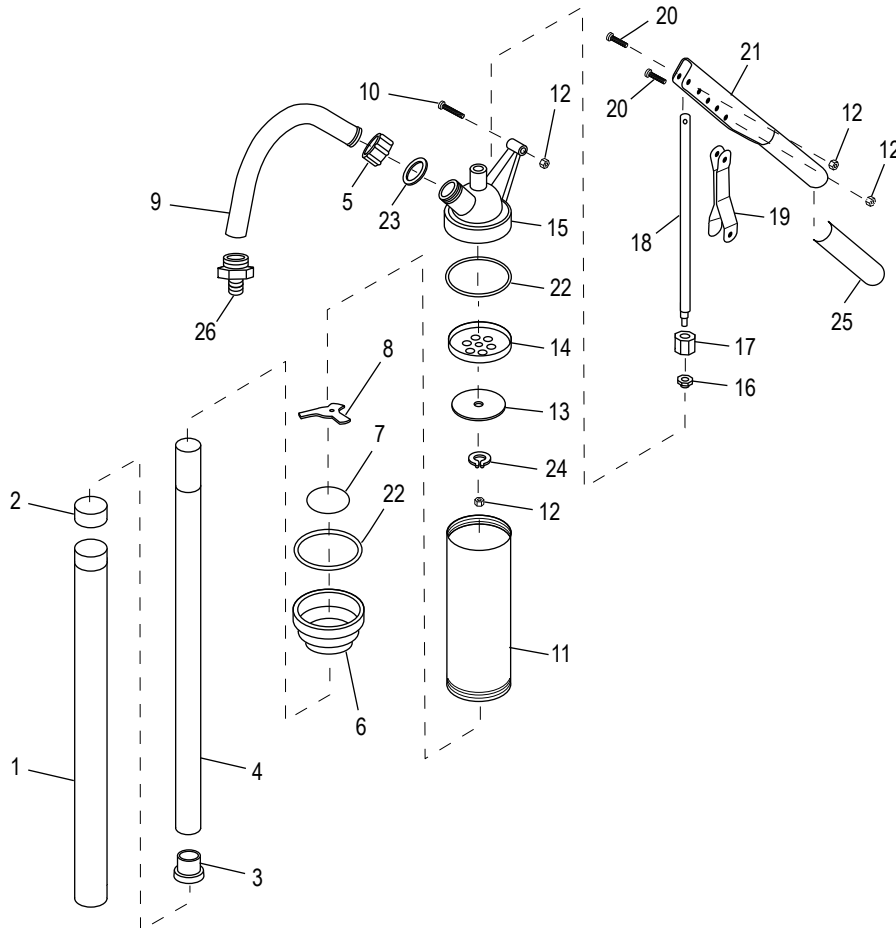
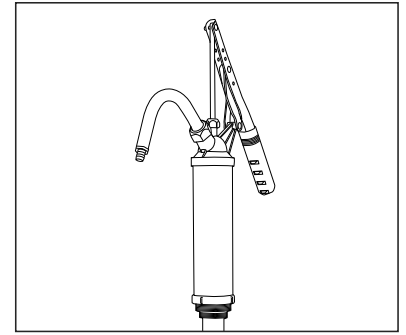
| # | DESCRIPTION | QTY. |
|----|--------------------|------|
| 1 | Extend Tube | 1 |
| 2 | Bushing | 1 |
| 3 | Extend Tube Piston | 1 |
| 4 | Upper Extend Tube | 1 |
| 5 | Screw Nut | 1 |
| 6 | Base | 1 |
| 7 | Washer | 1 |
| 8 | Washer Block | 1 |
| 9 | Spout | 1 |
| 10 | Long Screw | 1 |
| 11 | Pump Body | 1 |
| 12 | Nut | 4 |
| 13 | Piston Cover | 1 |

| # | DESCRIPTION | QTY. |
|----|---------------|------|
| 14 | Piston | 1 |
| 15 | Cover | 1 |
| 16 | Packing Gland | 1 |
| 17 | Packing Nut | 1 |
| 18 | Piston Rod | 1 |
| 19 | Pivot Pins | 1 |
| 20 | Short Screw | 2 |
| 21 | Handle | 1 |
| 22 | Gasket | 2 |
| 23 | Spout Gasket | 1 |
| 24 | Spring Washer | 1 |
| 25 | Handle Cover | 1 |
| 26 | Barb Spout | 1 |

ULINE H-9774

BOMBA DE PALANCA DE ACERO INOXIDABLE

800-295-5510
uline.mx



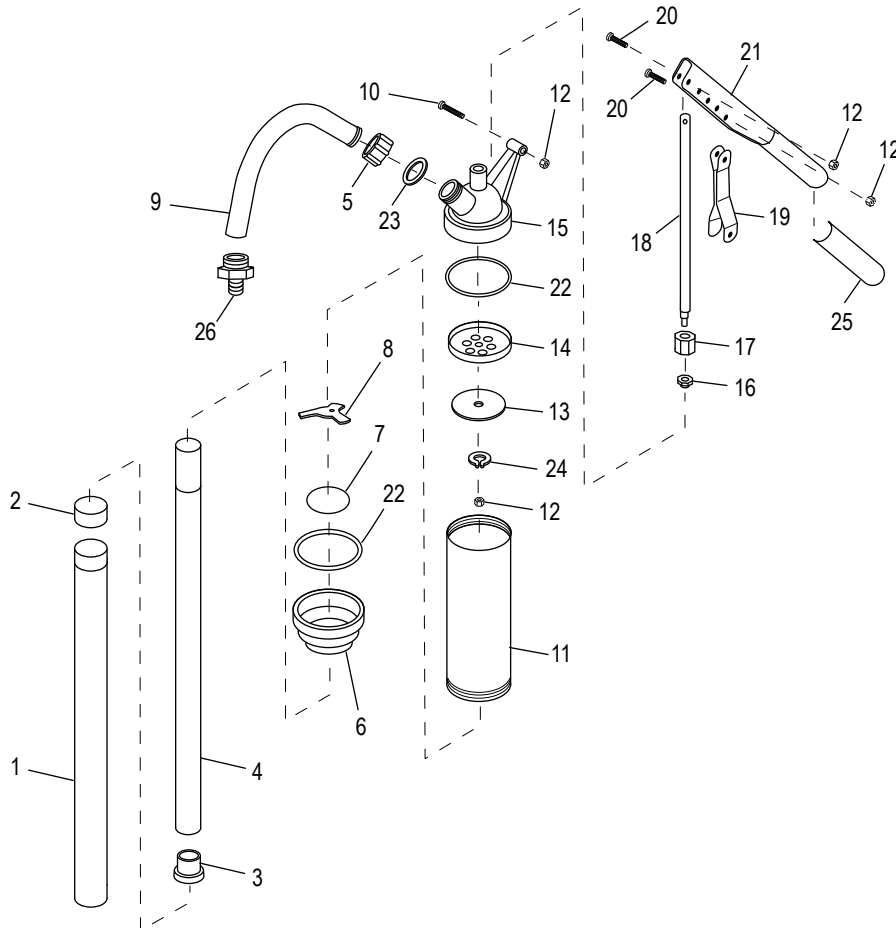
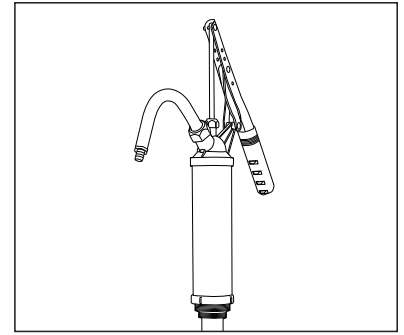
| # | DESCRIPCIÓN | CANT. |
|----|-----------------------------|-------|
| 1 | Tubo de Extensión | 1 |
| 2 | Casquillo | 1 |
| 3 | Pistón de Tubo de Extensión | 1 |
| 4 | Tubo de Extensión Superior | 1 |
| 5 | Tuerca para Tornillo | 1 |
| 6 | Base | 1 |
| 7 | Rondana | 1 |
| 8 | Bloque de Rondana | 1 |
| 9 | Boquilla | 1 |
| 10 | Tornillo Largo | 1 |
| 11 | Cuerpo de la Bomba | 1 |
| 12 | Tuerca | 4 |
| 13 | Cubierta de Pistón | 1 |

| # | DESCRIPCIÓN | CANT. |
|----|------------------------|-------|
| 14 | Pistón | 1 |
| 15 | Cubierta | 1 |
| 16 | Prensaestopas | 1 |
| 17 | Tuerca de Empaque | 1 |
| 18 | Varilla del Pistón | 1 |
| 19 | Pivotes | 1 |
| 20 | Tornillo Corto | 2 |
| 21 | Mango | 1 |
| 22 | Empaque | 2 |
| 23 | Empaque de la Boquilla | 1 |
| 24 | Rondana con Resorte | 1 |
| 25 | Cubierta del Mango | 1 |
| 26 | Boquilla de Lengüeta | 1 |

ULINE H-9774

POMPE À LEVIER EN ACIER INOXYDABLE

1-800-295-5510
uline.ca



| # | DESCRIPTION | QTÉ |
|----|-------------------------|-----|
| 1 | Tube-rallonge | 1 |
| 2 | Bague | 1 |
| 3 | Piston du tube-rallonge | 1 |
| 4 | Tube-rallonge supérieur | 1 |
| 5 | Écrou de vis | 1 |
| 6 | Base | 1 |
| 7 | Rondelle | 1 |
| 8 | Bloc de rondelle | 1 |
| 9 | Bec verseur | 1 |
| 10 | Vis longue | 1 |
| 11 | Boîtier de pompe | 1 |
| 12 | Écrou | 4 |
| 13 | Couvre-piston | 1 |

| # | DESCRIPTION | QTÉ |
|----|-----------------------------------|-----|
| 14 | Piston | 1 |
| 15 | Couvercle | 1 |
| 16 | Fouloir de presse-garniture | 1 |
| 17 | Écrou de presse-garniture | 1 |
| 18 | Tige de piston | 1 |
| 19 | Pivot | 1 |
| 20 | Vis courte | 2 |
| 21 | Poignée | 1 |
| 22 | Joint d'étanchéité | 2 |
| 23 | Joint d'étanchéité du bec verseur | 1 |
| 24 | Rondelle de ressort | 1 |
| 25 | Couvre-poignée | 1 |
| 26 | Bec verseur cranté | 1 |