

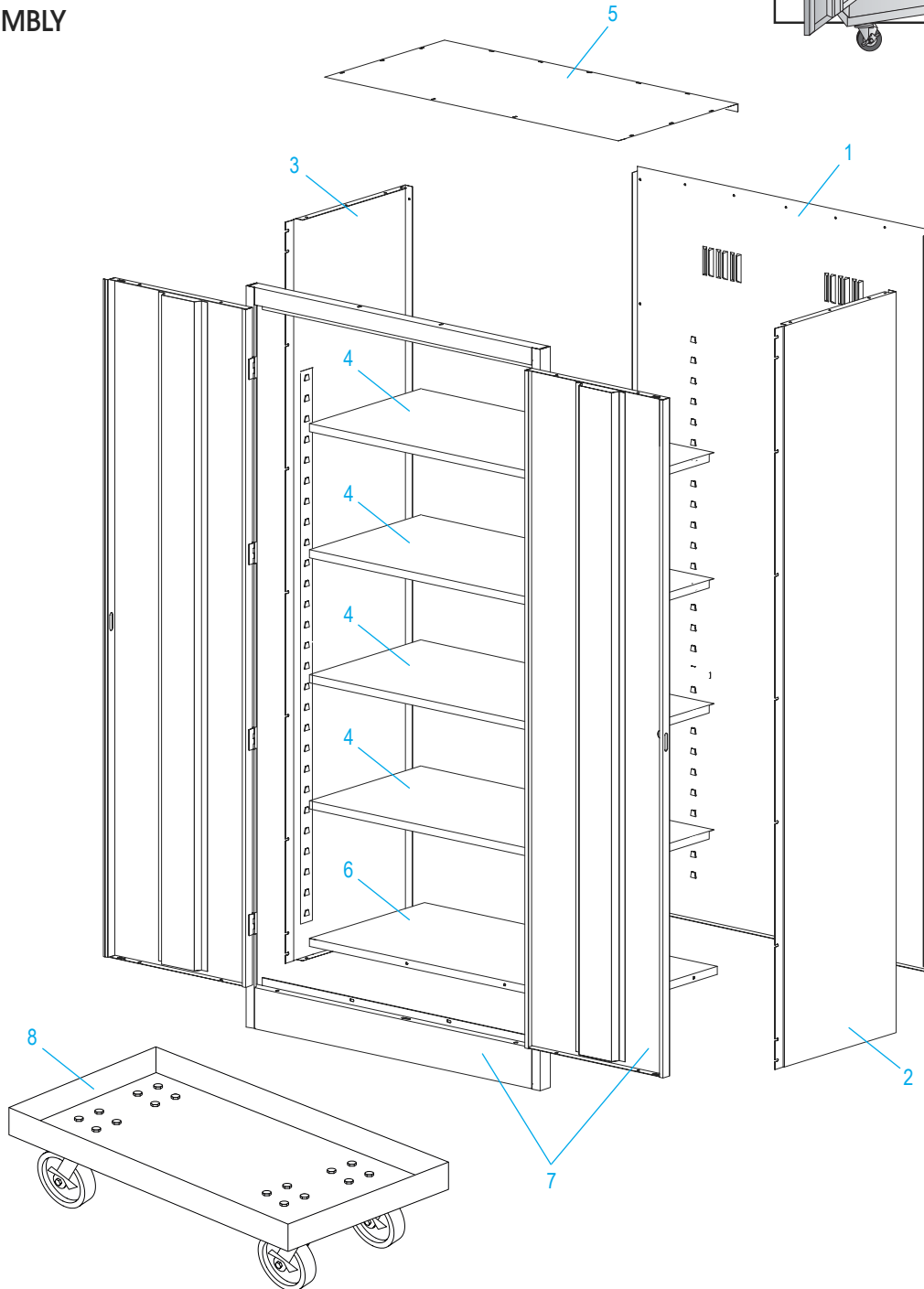
ULINE H-7812 MOBILE STORAGE CABINET

1-800-295-5510
uline.com

Para Español, vea páginas 4-6.
Pour le français, consulter les pages 7-9.



PRIMARY ASSEMBLY



ULINE H-7812
MOBILE STORAGE CABINET

1-800-295-5510
 uline.com

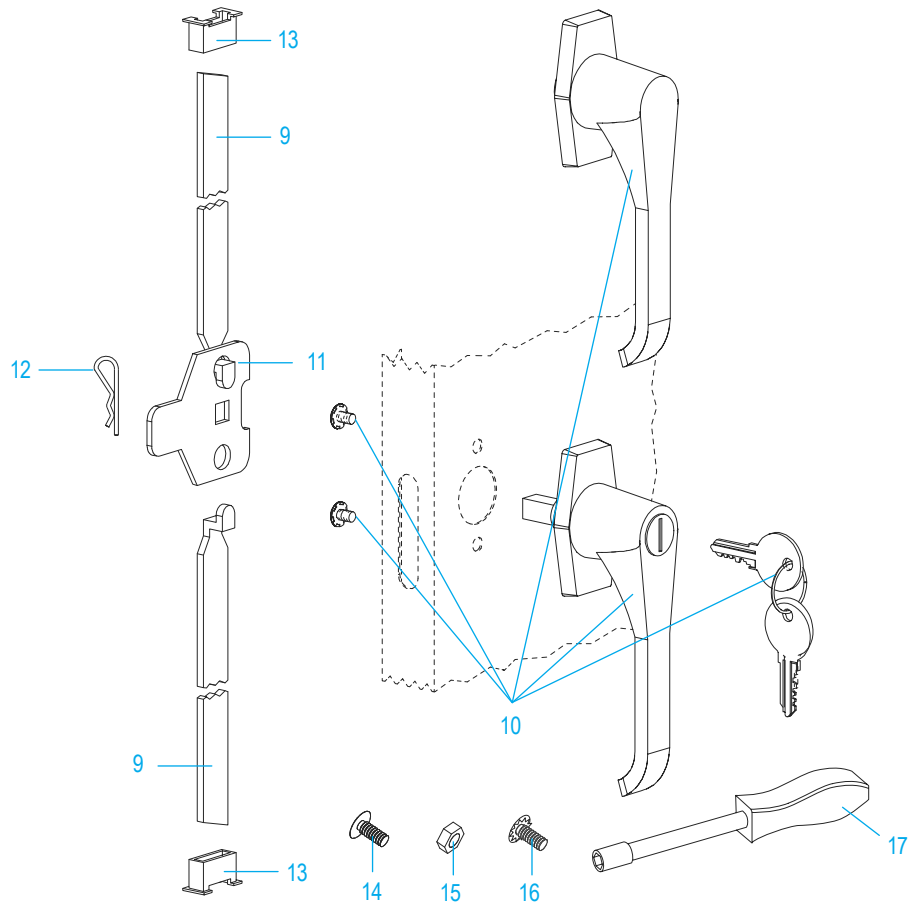
PRIMARY ASSEMBLY PARTS LIST

| # | DESCRIPTION | QTY. | ULINE PART NO. | MFG. PART NO. |
|---|-------------------------------|------|----------------|---------------|
| 1 | Back Panel – Black | 1 | ----- | 043BA-BLACK |
| 1 | Back Panel – Gray | 1 | H-1223GR-BP | 043BA-GRAY |
| 1 | Back Panel – Tan | 1 | ----- | 043BA-PUTTY |
| 2 | Right Side Panel – Black | 1 | ----- | 044RS-BLACK |
| 2 | Right Side Panel – Gray | 1 | ----- | 044RS-GRAY |
| 2 | Right Side Panel – Tan | 1 | ----- | 044RS-PUTTY |
| 3 | Left Side Panel – Black | 1 | ----- | 044LS-BLACK |
| 3 | Left Side Panel – Gray | 1 | ----- | 044LS-GRAY |
| 3 | Left Side Panel – Tan | 1 | ----- | 044LS-PUTTY |
| 4 | Shelf – Black | 4 | H-1223ADD-BL | 302-BLACK |
| 4 | Shelf – Gray | 4 | H-1223ADD-GR | 302-GRAY |
| 4 | Shelf – Tan | 4 | H-1223ADD-T | 302-PUTTY |
| 5 | Top – Black | 1 | ----- | 044TO-BLACK |
| 5 | Top – Gray | 1 | ----- | 044TO-GRAY |
| 5 | Top – Tan | 1 | ----- | 044TO-PUTTY |
| 6 | Bottom – Black | 1 | ----- | 044BO-BLACK |
| 6 | Bottom – Gray | 1 | ----- | 044BO-GRAY |
| 6 | Bottom – Tan | 1 | ----- | 044BO-PUTTY |
| 7 | Door & Frame Assembly – Black | 1 | H-1223BL-DFR | 043DF-BLACK |
| 7 | Door & Frame Assembly – Gray | 1 | H-1223GR-DFR | 043DF-GRAY |
| 7 | Door & Frame Assembly – Tan | 1 | H-2217T-DFR | 043DF-PUTTY |
| 8 | Base – Black | 1 | H-2462BL | 018CD-3624B |
| 8 | Base – Gray | 1 | H-2462GR | 018CD-3624G |
| 8 | Base – Tan | 1 | H-2462T | 018CD-3624T |

ULINE H-7812 MOBILE STORAGE CABINET

1-800-295-5510
uline.com

HANDLE ASSEMBLY



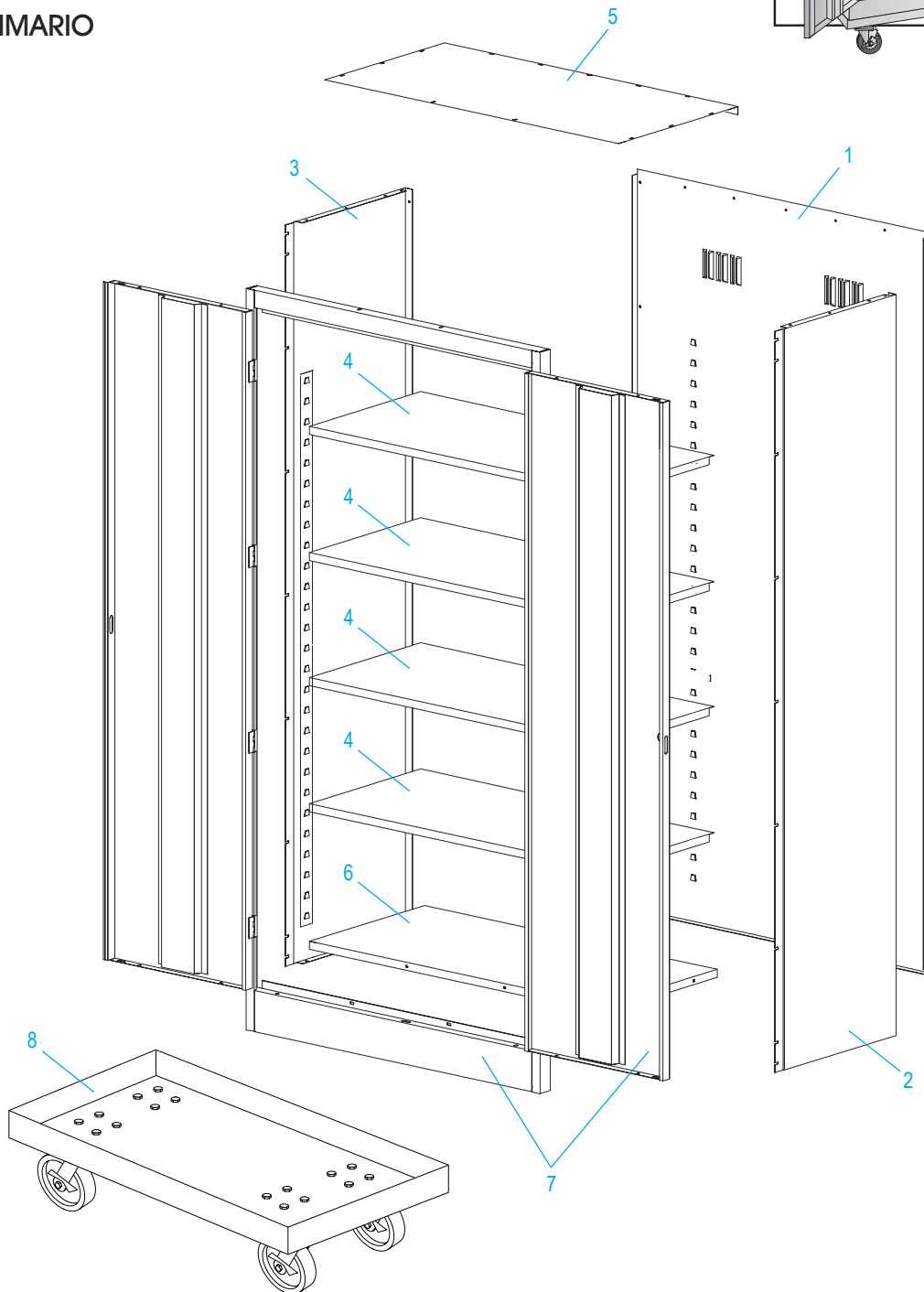
| # | DESCRIPTION | QTY. | ULINE PART NO. | MFG. PART NO. |
|----|--|------|----------------|---------------|
| 9 | Lock Bar (Set) | 1 | H-1223-#8 | 043LB |
| 10 | Locking Handle with Keys and Dummy Handle (Set) | 1 | H-2217-HANDL | ST-LKHND |
| 11 | Locking Cam | 1 | H-1105-13 | 944LC |
| 12 | Cotter Pin | 1 | H-2216-CTRPN | CTRPN |
| 13 | Lock Bar Guide | 2 | H-1105-15 | 944GI |
| 14 | Bolt (#8-32 x 3/8") | 31 | ----- | ----- |
| 15 | Nut (#8-32) | 47 | ----- | ----- |
| 16 | Bolt with Lock Washer (#8-32 x 1/4") | 4 | ----- | ----- |
| 17 | Nut Driver | 1 | H-1224-TOOL2 | TOOL-2 |
| | Replacement Hardware Pack (Not Included) Bolts #8-32 x 3/8" (72), Nuts #8-32 (72) | 1 | H-1224-19 | HW-72 |

ULINE H-7812
GABINETE MÓVIL PARA
ALMACENAMIENTO

800-295-5510
uline.mx



ENSAMBLE PRIMARIO



LISTA DE PARTES DEL ENSAMBLE PRIMARIO

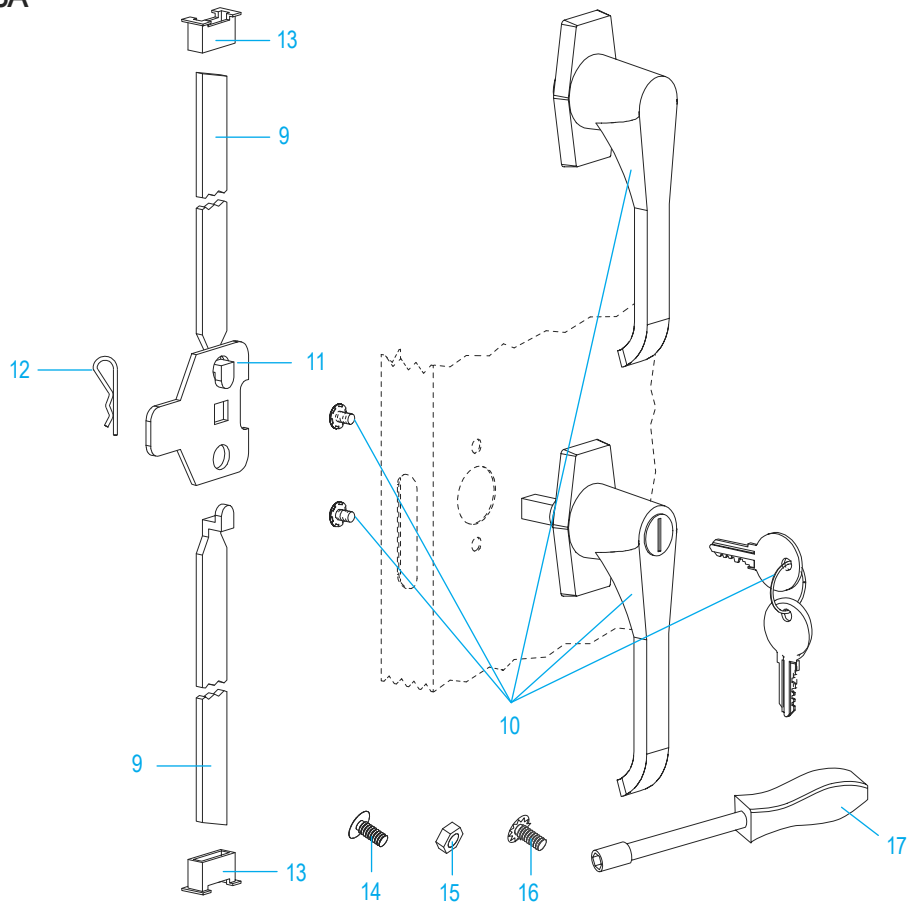
| # | DESCRIPCIÓN | CANT. | NO. DE PARTE DE ULINE | NO. DE PARTE DEL FABRICANTE |
|---|---|-------|-----------------------|-----------------------------|
| 1 | Panel Posterior – Negro | 1 | ----- | 043BA-BLACK |
| 1 | Panel Posterior – Gris | 1 | H-1223GR-BP | 043BA-GRAY |
| 1 | Panel Posterior – Canela | 1 | ----- | 043BA-PUTTY |
| 2 | Panel Lateral Derecho – Negro | 1 | ----- | 044RS-BLACK |
| 2 | Panel Lateral Derecho – Gris | 1 | ----- | 044RS-GRAY |
| 2 | Panel Lateral Derecho – Canela | 1 | ----- | 044RS-PUTTY |
| 3 | Panel Lateral Izquierdo – Negro | 1 | ----- | 044LS-BLACK |
| 3 | Panel Lateral Izquierdo – Gris | 1 | ----- | 044LS-GRAY |
| 3 | Panel Lateral Izquierdo – Canela | 1 | ----- | 044LS-PUTTY |
| 4 | Repisa – Negra | 4 | H-1223ADD-BL | 302-BLACK |
| 4 | Repisa – Gris | 4 | H-1223ADD-GR | 302-GRAY |
| 4 | Repisa – Canela | 4 | H-1223ADD-T | 302-PUTTY |
| 5 | Parte Superior – Negra | 1 | ----- | 044TO-BLACK |
| 5 | Parte Superior – Gris | 1 | ----- | 044TO-GRAY |
| 5 | Parte Superior – Canela | 1 | ----- | 044TO-PUTTY |
| 6 | Parte Inferior – Negra | 1 | ----- | 044BO-BLACK |
| 6 | Parte Inferior – Gris | 1 | ----- | 044BO-GRAY |
| 6 | Parte Inferior – Canela | 1 | ----- | 044BO-PUTTY |
| 7 | Ensamble del Armazón y Puertas – Negro | 1 | H-1223BL-DFR | 043DF-BLACK |
| 7 | Ensamble del Armazón y Puertas – Gris | 1 | H-1223GR-DFR | 043DF-GRAY |
| 7 | Ensamble del Armazón y Puertas – Canela | 1 | H-2217T-DFR | 043DF-PUTTY |
| 8 | Base – Negra | 1 | H-2462BL | 018CD-3624B |
| 8 | Base – Gris | 1 | H-2462GR | 018CD-3624G |
| 8 | Base – Canela | 1 | H-2462T | 018CD-3624T |

ULINE H-7812

GABINETE MÓVIL PARA ALMACENAMIENTO

800-295-5510
uline.mx

ENSAMBLE DEL ASA



| # | DESCRIPCIÓN | CANT. | NO. DE PARTE DE ULINE | NO. DE PARTE DEL FABRICANTE |
|----|--|-------|-----------------------|-----------------------------|
| 9 | Barra de Seguridad (Set) | 1 | H-1223-#8 | 043LB |
| 10 | Asa de Bloqueo con Llaves y Asa Inactiva (Set) | 1 | H-2217-HANDL | ST-LKHND |
| 11 | Leva con Seguro | 1 | H-1105-13 | 944LC |
| 12 | Pasador de Chaveta | 1 | H-2216-CTRPN | CTRPN |
| 13 | Guía de la Barra de Seguridad | 2 | H-1105-15 | 944GI |
| 14 | Perno (#8-32 x 3/8") | 31 | ----- | ----- |
| 15 | Tuerca (#8-32) | 47 | ----- | ----- |
| 16 | Perno con Rondana de Seguridad (#8-32 x 1/4") | 4 | ----- | ----- |
| 17 | Llave de Tuercas | 1 | H-1224-TOOL2 | TOOL-2 |
| | Paquete de Tornillería de Repuesto (No Incluido) Pernos #8-32 x 3/8" (72), Tuercas #8-32 (72) | 1 | H-1224-19 | HW-72 |

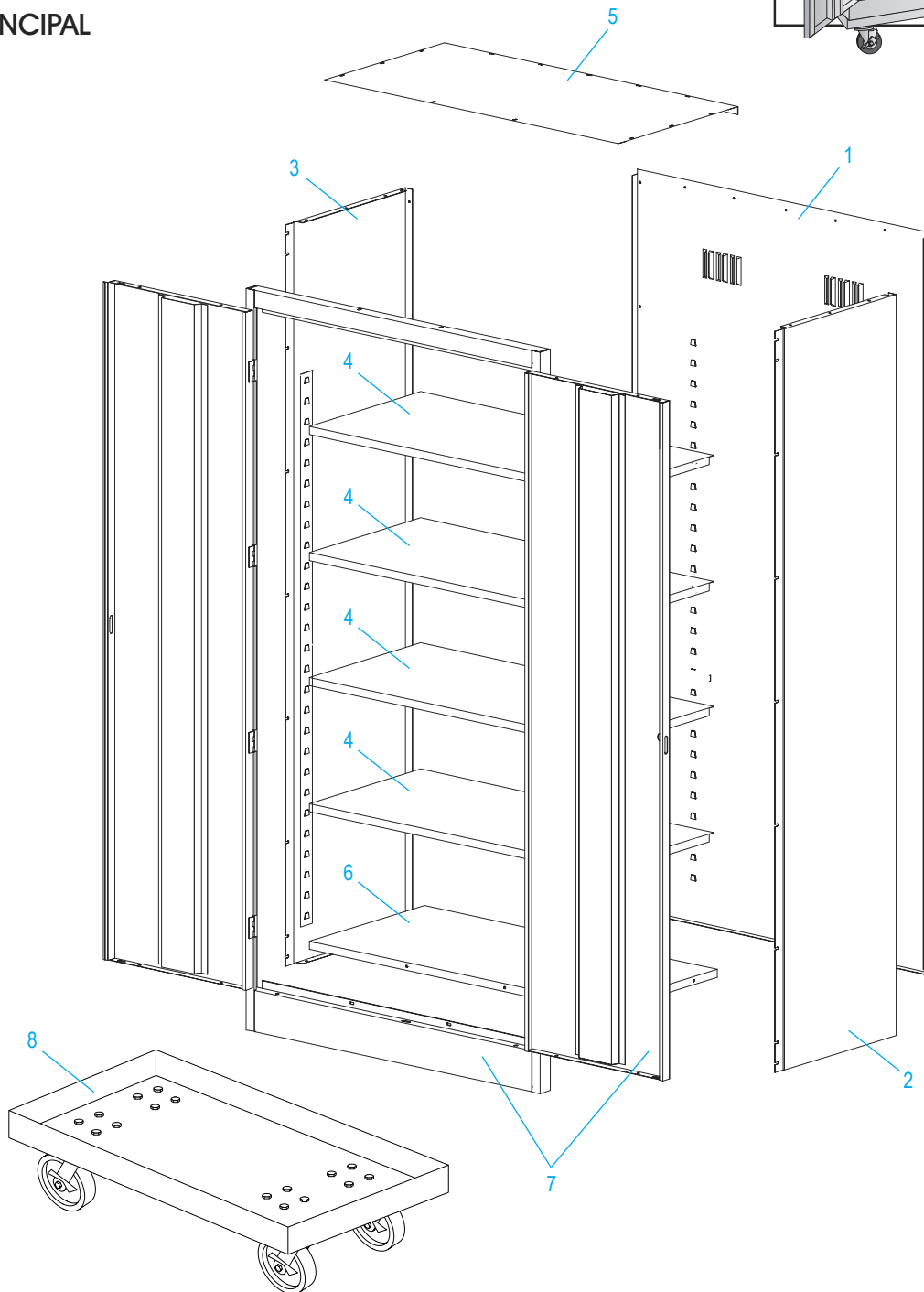
ULINE H-7812

**ARMOIRE DE RANGEMENT
MOBILE**

1-800-295-5510
uline.ca



ENSEMBLE PRINCIPAL



LISTE DES PIÈCES DE L'ENSEMBLE PRINCIPAL

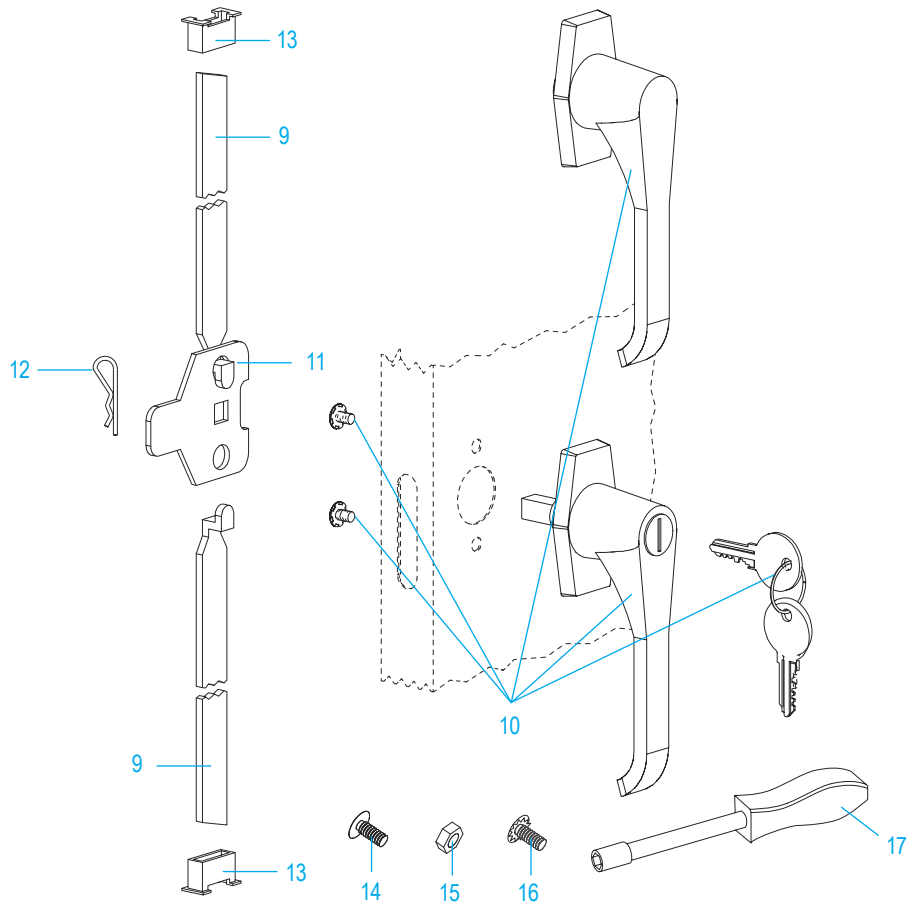
| # | DESCRIPTION | QTÉ | RÉF. ULINE | RÉF. DU FABRICANT |
|---|--|-----|--------------|-------------------|
| 1 | Panneau arrière – Noir | 1 | ----- | 043BA-BLACK |
| 1 | Panneau arrière – Gris | 1 | H-1223GR-BP | 043BA-GRAY |
| 1 | Panneau arrière – Sable | 1 | ----- | 043BA-PUTTY |
| 2 | Panneau latéral droit – Noir | 1 | ----- | 044RS-BLACK |
| 2 | Panneau latéral droit – Gris | 1 | ----- | 044RS-GRAY |
| 2 | Panneau latéral droit – Sable | 1 | ----- | 044RS-PUTTY |
| 3 | Panneau latéral gauche – Noir | 1 | ----- | 044LS-BLACK |
| 3 | Panneau latéral gauche – Gris | 1 | ----- | 044LS-GRAY |
| 3 | Panneau latéral gauche – Sable | 1 | ----- | 044LS-PUTTY |
| 4 | Tablette – Noir | 4 | H-1223ADD-BL | 302-BLACK |
| 4 | Tablette – Gris | 4 | H-1223ADD-GR | 302-GRAY |
| 4 | Tablette – Sable | 4 | H-1223ADD-T | 302-PUTTY |
| 5 | Tablette supérieure – Noir | 1 | ----- | 044TO-BLACK |
| 5 | Tablette supérieure – Gris | 1 | ----- | 044TO-GRAY |
| 5 | Tablette supérieure – Sable | 1 | ----- | 044TO-PUTTY |
| 6 | Tablette inférieure – Noir | 1 | ----- | 044BO-BLACK |
| 6 | Tablette inférieure – Gris | 1 | ----- | 044BO-GRAY |
| 6 | Tablette inférieure – Sable | 1 | ----- | 044BO-PUTTY |
| 7 | Ensemble de la porte et du cadre – Noir | 1 | H-1223BL-DFR | 043DF-BLACK |
| 7 | Ensemble de la porte et du cadre – Gris | 1 | H-1223GR-DFR | 043DF-GRAY |
| 7 | Ensemble de la porte et du cadre – Sable | 1 | H-2217T-DFR | 043DF-PUTTY |
| 8 | Base – Noir | 1 | H-2462BL | 018CD-3624B |
| 8 | Base – Gris | 1 | H-2462GR | 018CD-3624G |
| 8 | Base – Sable | 1 | H-2462T | 018CD-3624T |

ULINE H-7812

ARMOIRE DE RANGEMENT MOBILE

1-800-295-5510
uline.ca

ENSEMBLE DE LA POIGNÉE



| # | DESCRIPTION | QTÉ | RÉF. ULINE | RÉF. DU FABRICANT |
|----|--|-----|--------------|-------------------|
| 9 | Barre de verrouillage (ensemble) | 1 | H-1223-#8 | 043LB |
| 10 | Poignée de verrouillage avec clés et fausse poignée (ensemble) | 1 | H-2217-HANDL | ST-LKHND |
| 11 | Came de verrouillage | 1 | H-1105-13 | 944LC |
| 12 | Goupille fendue | 1 | H-2216-CTRPN | CTRPN |
| 13 | Guide de barre de verrouillage | 2 | H-1105-15 | 944GI |
| 14 | Boulon (n° 8-32 x 3/8 po) | 31 | ----- | ----- |
| 15 | Écrou (n° 8-32) | 47 | ----- | ----- |
| 16 | Boulon avec rondelle de blocage (n° 8-32 x 1/4 po) | 4 | ----- | ----- |
| 17 | Tournevis à douille | 1 | H-1224-TOOL2 | TOOL-2 |
| | Sachet de matériel d'installation de remplacement (non inclus) Boulons n° 8-32 x 3/8 po (72), écrous n° 8-32 (72) | 1 | H-1224-19 | HW-72 |