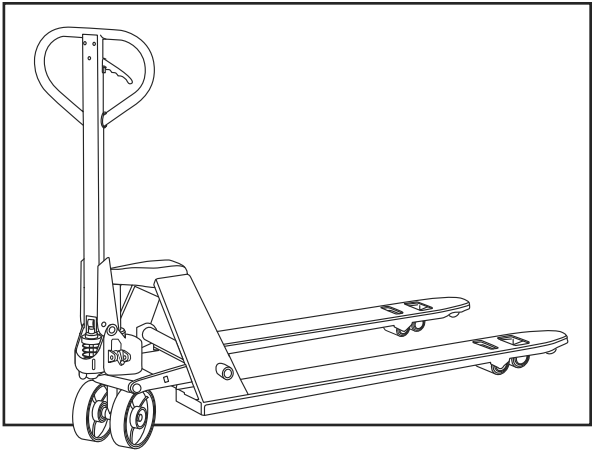
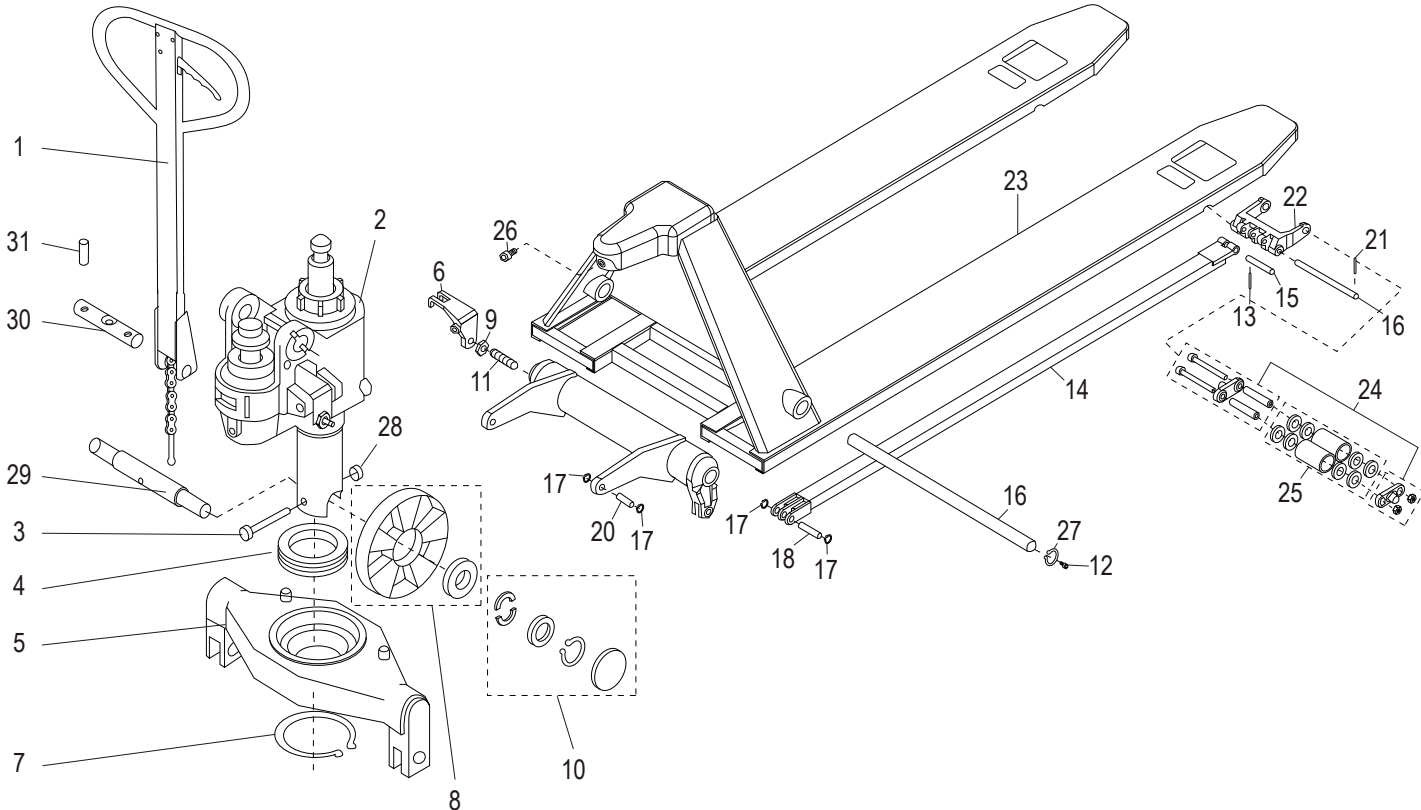


ULINE H-7575 SUPER LOW PROFILE PALLET TRUCK

1-800-295-5510
 uline.com



FRAME DIAGRAM



FRAME DIAGRAM PARTS LIST

| # | DESCRIPTION | QTY. | ULINE PART NO. | MFG. PART NO. |
|---|-----------------------|------|----------------|---------------|
| 1 | Handle Assembly | 1 | H-1043-SHC | B1 |
| 2 | Pump (Standard) | 1 | H-7575-PUMP | ----- |
| 3 | Hexagon Bolt | 1 | ----- | B3 |
| 4 | Bearing | 1 | ----- | B4 |
| 5 | Supporting Stand Unit | 1 | ----- | BFL10 #21 |
| 6 | Lever Plate | 1 | H-1483-B135 | B135 |
| 7 | Circlip for Shaft 55 | 1 | ----- | B7 |
| 8 | Steer Wheel | 1 | H-1365-8 | BFL15PT#2, B9 |
| 9 | Hexagon Nut | 1 | H-1043-B134 | B134 |

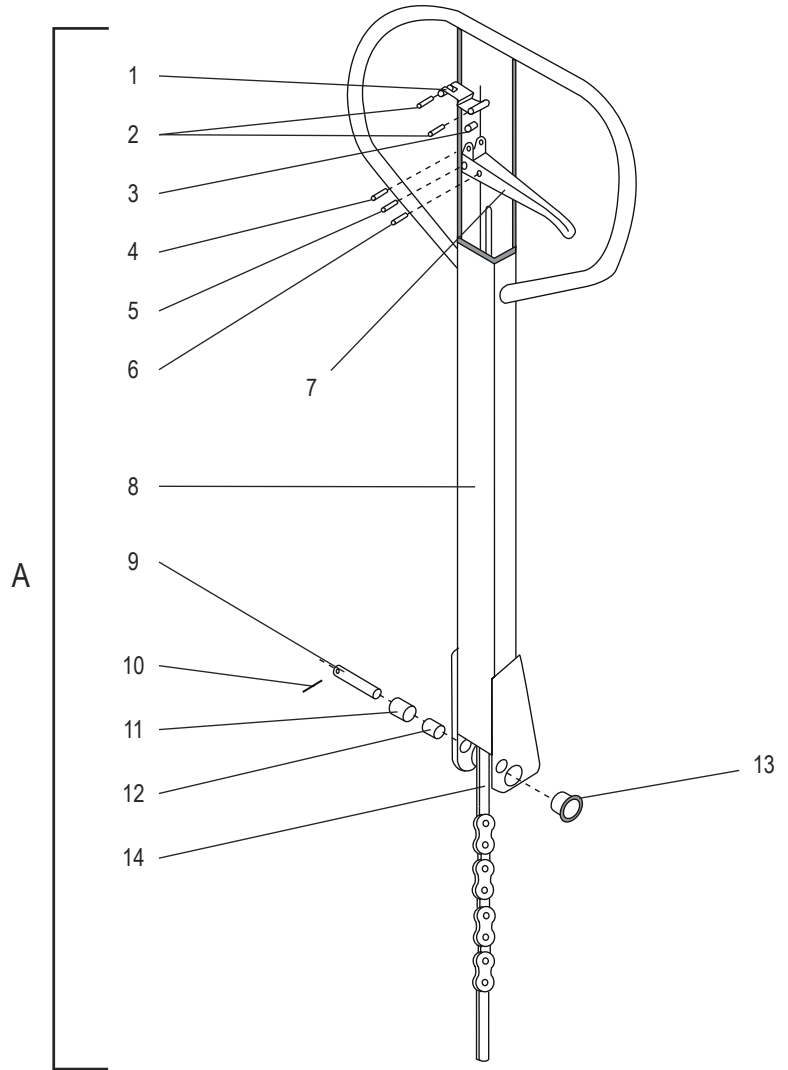
FRAME DIAGRAM PARTS LIST CONTINUED

| # | DESCRIPTION | QTY. | ULINE PART NO. | MFG. PART NO. |
|----|--|------|----------------|--|
| 10 | Big (Steering) Wheel Hardware Kit Includes: • Semi-Circular Ring (4) • Bowl Washer (2) • Circlip for Shaft (2) • Dust-proof Cover (2) | 1 | H-6017 | B10-B13 |
| 11 | Set Screw | 1 | ----- | B133 |
| 12 | Lubricating Nipple | 2 | ----- | B12 |
| 13 | Spring Pin | 2 | H-7575-PT9 | BFL10 #9 |
| 14 | Connecting Rod Unit 1150 | 2 | ----- | BFL10 #14 |
| 14 | Connecting Rod Unit 1220 | 2 | ----- | BFL10 #14 |
| 15 | Roll Pin with Single Hole | 2 | H-7575-PT10 | BFL10 #10 |
| 16 | Roll Pin with Double Hole | 2 | H-7575-PT11 | BFL10 #11 |
| 17 | Circlip for Axle | 4 | ----- | BFL10 #17 |
| 18 | Roll Pin | 2 | ----- | BFL10 #18 |
| 19 | Rock Arm Unit 520 | 1 | ----- | BFL10 #19 |
| 19 | Rock Arm Unit 550 | 4 | ----- | BFL10 #19 |
| 19 | Rock Arm Unit 685 | 2 | ----- | BFL10 #19 |
| 20 | Roll Pin | 2 | ----- | BFL10 #20 |
| 21 | Spring Pin 3 x 20 | 4 | H-7575-PT12 | BFL10 #12 |
| 22 | Wheel Bracket | 2 | H-7575-BRKTQ | BFL10 #13 |
| 23 | Truck Frame Assembly 520 x 1150 | 1 | ----- | BFL10 #15 |
| 23 | Truck Frame Assembly 520 x 1220 | 1 | ----- | BFL10 #15 |
| 23 | Truck Frame Assembly 550 x 1150 | 1 | ----- | BFL10 #15 |
| 23 | Truck Frame Assembly 550 x 1220 | 1 | ----- | BFL10 #15 |
| 23 | Truck Frame Assembly 685 x 1150 | 1 | ----- | BFL10 #15 |
| 23 | Truck Frame Assembly 685 x 1220 | 1 | ----- | BFL10 #15 |
| 24 | Fork Wheel Hardware Kit Includes: • Locknut (4) • Supporting Plate (4) • Wheel Axle (4) • Bolt (4) | 1 | H-7575-HDWR | BFL10 #1 BFL10 #2 BFL10 #5 BFL10 #6 |
| 25 | Fork Wheel Bearing Kit Includes: • Bearing (16) • Fork Wheel (4) | 1 | H-7575-WHLB | BFL10 #3 BFL10 #4 |
| 26 | Inner Hexagon Screw | 1 | H-1043-B42 | B42 |
| 27 | Circlip for Hole | 2 | H-1043-B21 | B21 |
| 28 | Locknut | 1 | H-1366-B44 | B44 |
| 29 | Front Wheel Axle | 1 | ----- | B2 |
| 30 | Shaft | 1 | H-1043-B118 | B118 |
| 31 | Spring Pin | 2 | H-1043-B117 | B117 |
| 32 | Long Shaft 520 | 1 | ----- | BFL10 #16 |
| 32 | Long Shaft 550 | 1 | ----- | BFL10 #16 |
| 32 | Long Shaft 685 | 1 | ----- | BFL10 #16 |

ULINE H-7575
SUPER LOW PROFILE
PALLET TRUCK

1-800-295-5510
 uline.com

HANDLE DIAGRAM



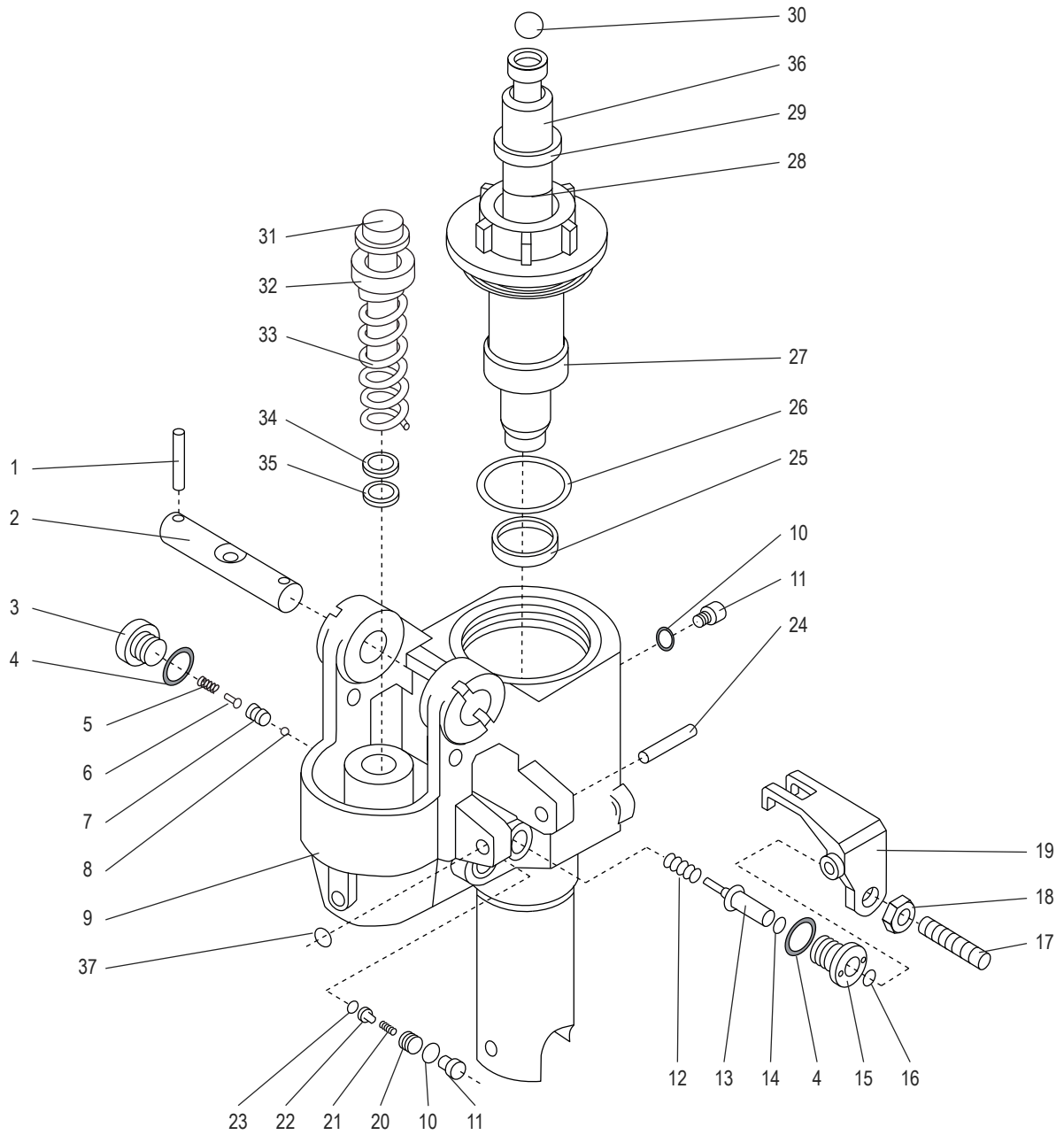
HANDLE DIAGRAM PARTS LIST

| # | DESCRIPTION | QTY. | ULINE PART NO. | MFG. PART NO. |
|----|--------------------|------|----------------|-------------------------------|
| A | Handle Assembly | 1 | H-1043-SHC | B1 |
| 1 | Blade Spring | 1 | H-1366-B101 | B101 |
| 2 | Spring Pin | 2 | H-2721-B102 | B102 |
| 3 | Roller | 1 | H-2721-B103 | B103 |
| 4 | Spring Pin | 1 | H-2721-B104 | B104 |
| 5 | Spring Pin | 1 | H-2721-B105 | B105 |
| 6 | Spring Pin | 1 | H-2721-B106 | B106 |
| 7 | Handle | 1 | H-1483-B107 | B107 |
| 8 | Handle Tube | 1 | H-1043B108 | B108 |
| 9 | Shaft | 1 | H-1043-109 | B109 |
| 10 | Spring Pin | 1 | H-1043-B110 | B110 |
| 11 | Pressure Roller | 1 | H-1043-B111 | B111 |
| 12 | Bushing | 1 | H-1043-B112 | B112 |
| 13 | Bushing | 2 | H-1043-B114 | B114 |
| 14 | Pull Pole Assembly | 1 | H-1043-B113 | H-1043-B113+B115+B116ASSEMBLY |

ULINE H-7575
**SUPER LOW PROFILE
PALLET TRUCK**

1-800-295-5510
uline.com

PUMP DIAGRAM



ULINE H-7575
SUPER LOW PROFILE
PALLET TRUCK

1-800-295-5510
 uline.com

PUMP DIAGRAM PARTS LIST

| # | DESCRIPTION | QTY. | ULINE PART NO. | MFG. PART NO. |
|----|--|------|----------------|---------------|
| 1 | Spring Pin | 2 | H-1043-B117 | B117 |
| 2 | Shaft | 1 | H-1043-B118 | B118 |
| 3 | Plug | 1 | H-1483-B119 | B119 |
| 4 | Copper Washer | 2 | H-1043-120 | B120 |
| 5 | Spring | 1 | H-1483-B121 | B121 |
| 6 | Spindle of Damping Valve | 1 | H-1193-B122 | B122 |
| 7 | Seat of Damping Valve | 1 | H-1193-B123 | B123 |
| 8 | Steel Ball | 1 | H-2721-B124 | B124 |
| 9 | Base | 1 | ----- | B125 |
| 10 | Copper Washer | 2 | H-1043-B126 | B126 |
| 11 | Bolt | 2 | H-1043-B127 | B127 |
| 12 | Spring | 1 | H-1193-B128 | B128 |
| 13 | Strike Pin | 1 | H-1193-B129 | B129 |
| 14 | O-Ring | 1 | H-1193-B130 | B130 |
| 15 | Axle Sleeve | 1 | H-1043-B131 | B131 |
| 16 | O-Ring | 1 | ----- | B132 |
| 17 | Bolt (Setting Screw) | 1 | H-1043-B133 | B133 |
| 18 | Nut (Setting Screw Nut) | 1 | H-1043-B134 | B134 |
| 19 | Lever | 1 | H-1043-B135 | B135 |
| 20 | Bolt | 1 | H-1043-B136 | B136 |
| 21 | Spring | 1 | H-2721-B137 | B137 |
| 22 | Ball Base | 1 | H-1782-B138 | B138 |
| 23 | Steel Ball | 1 | H-1782-B139 | B139 |
| 24 | Pin | 1 | H-1043-B140 | B140 |
| 25 | Y-Ring | 1 | H-1043-B141 | B141 |
| 26 | O-Ring | 1 | H-1043-B142 | B142 |
| 27 | Cylinder Cap | 1 | H-1043-B143 | B143 |
| 28 | O-Ring | 1 | H-1043-B144 | B144 |
| 29 | Dust Ring | 1 | H-1043-B145 | B145 |
| 30 | Steel Ball | 1 | H-1043-B146N | B146 |
| 31 | Pump Plunger | 1 | H-1366-B147 | B147 |
| 32 | Washer | 1 | ----- | B148 |
| 33 | Big Spring | 1 | H-1483-B149 | B149 |
| 34 | Dust Ring | 1 | H-1043-B150 | B150 |
| 35 | Y-Ring | 1 | H-1043-B151 | B151 |
| 36 | Piston Rod | 1 | H-1043-B152 | B152 |
| 37 | Retaining Ring for Axle | 1 | H-1043-B153 | B153 |
| | Pallet Truck Pump Seal Kit (Not Shown) | 1 | H-7575-PSEAL | ----- |

ULINE H-7575

PATÍN HIDRÁULICO DE PERFIL SUPERBAJO

800-295-5510
uline.mx

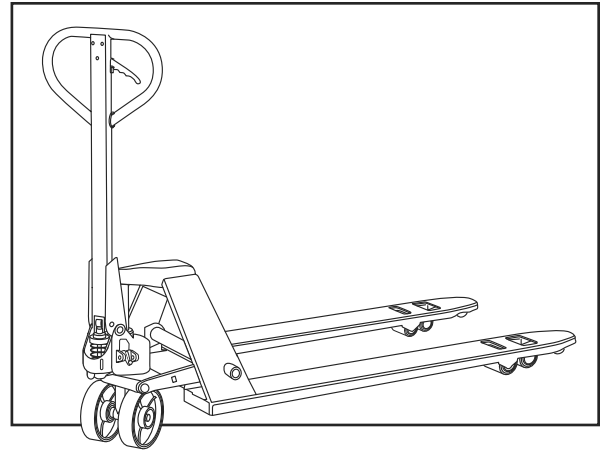
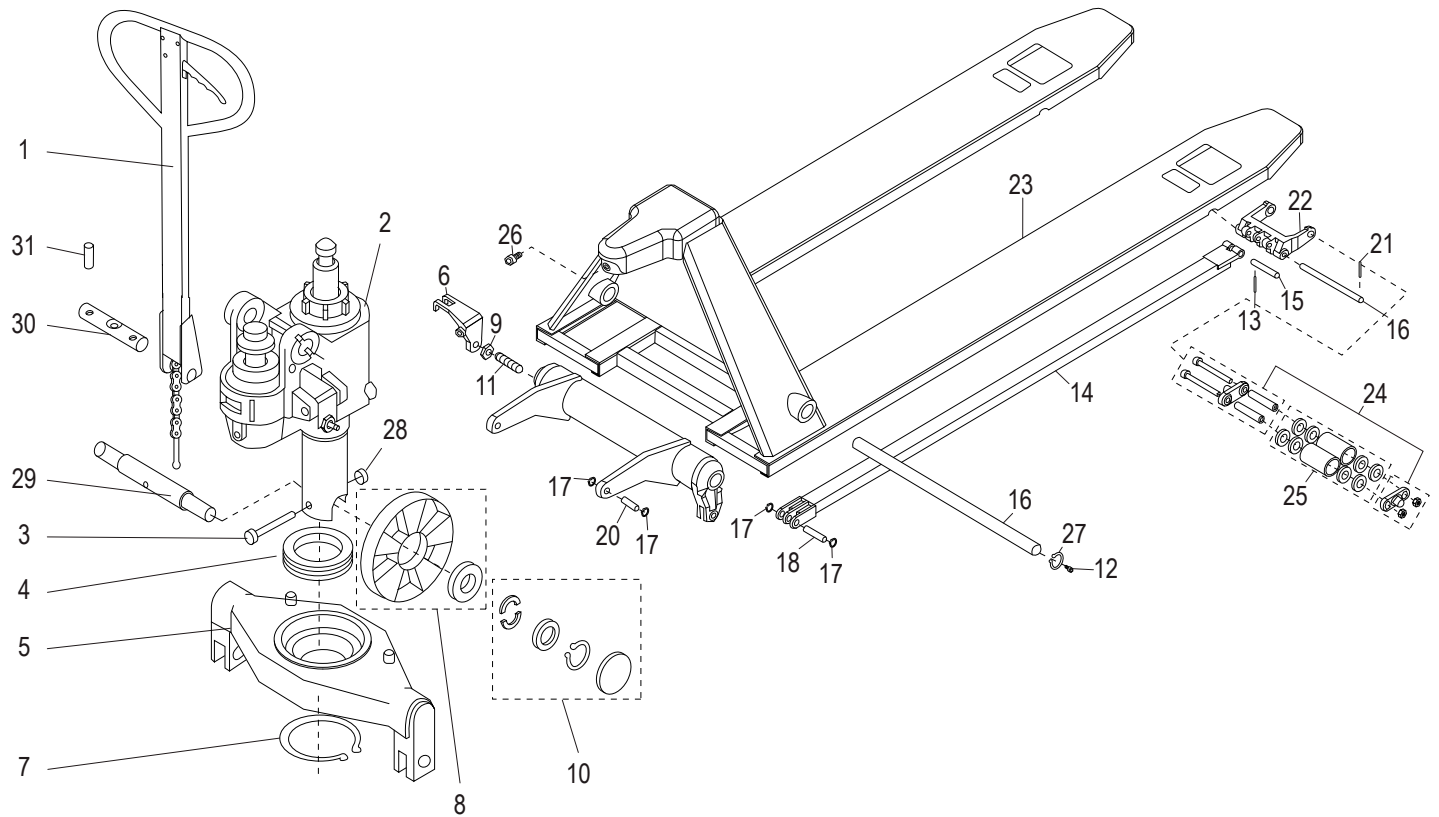


DIAGRAMA DEL ARMAZÓN



LISTA DE PARTES DEL DIAGRAMA DEL ARMAZÓN

| # | DESCRIPCIÓN | CANT. | NO. DE PARTE DE ULINE | NO. DE PARTE DEL FABRICANTE |
|---|---------------------------|-------|-----------------------|-----------------------------|
| 1 | Ensamble del Asa | 1 | H-1043-SHC | B1 |
| 2 | Bomba (Estándar) | 1 | H-7575-PUMP | ----- |
| 3 | Perno Hexagonal | 1 | ----- | B3 |
| 4 | Balero | 1 | ----- | B4 |
| 5 | Unidad de Base de Apoyo | 1 | ----- | BFL10 #21 |
| 6 | Placa de la Palanca | 1 | H-1483-B135 | B135 |
| 7 | Clip Circular para Eje 55 | 1 | ----- | B7 |
| 8 | Llanta de Dirección | 1 | H-1365-8 | BFL15PT#2, B9 |
| 9 | Tuerca Hexagonal | 1 | H-1043-B134 | B134 |

ULINE H-7575
PATÍN HIDRÁULICO
DE PERFIL SUPERBAJO

800-295-5510
 uline.mx

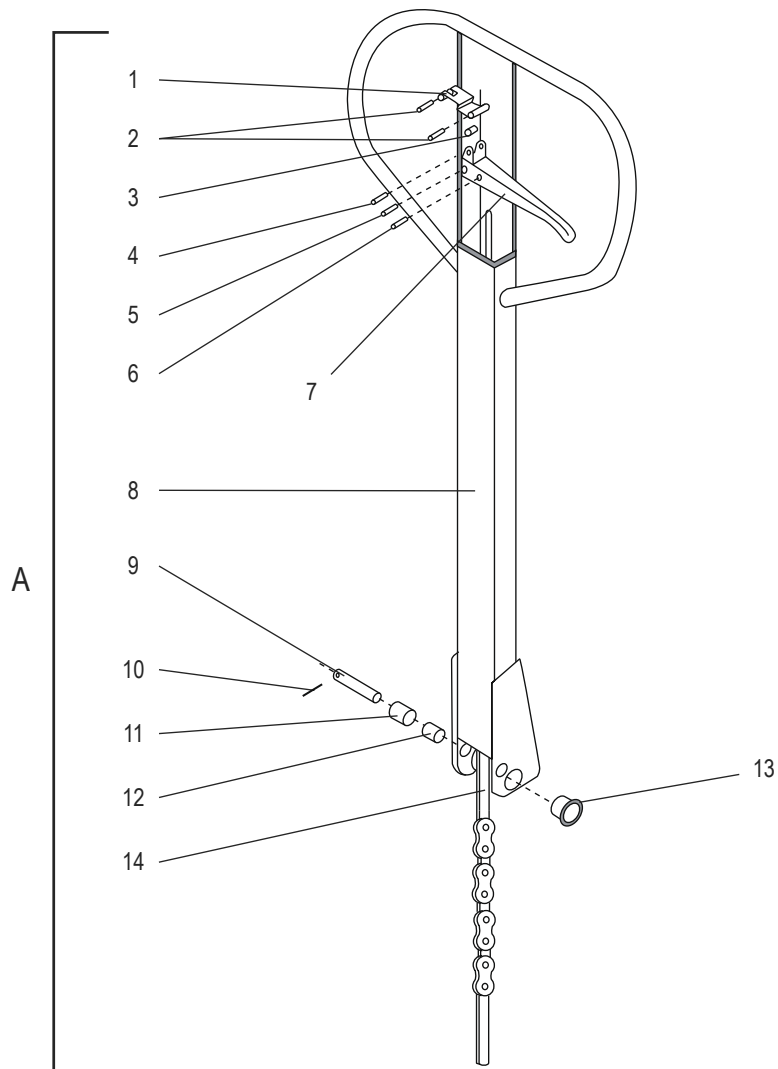
CONTINUACIÓN DE LISTA DE PARTES DEL DIAGRAMA DEL ARMAZÓN

| # | DESCRIPCIÓN | CANT. | NO. DE PARTE DE ULINE | NO. DE PARTE DEL FABRICANTE |
|----|--|-------|-----------------------|--|
| 10 | Kit de Tornillería para la Llanta Grande (Guía) Incluye: • Medio Anillo (4) • Rondana Cónica (2) • Clip Circular para Eje (2) • Cubierta para Polvo (2) | 1 | H-6017 | B10-B13 |
| 11 | Tornillo de Ajuste | 1 | ----- | B133 |
| 12 | Boquilla Lubricante | 2 | ----- | B12 |
| 13 | Perno de Resorte | 2 | H-7575-PT9 | BFL10 #9 |
| 14 | Unidad de Barra de Conexión 1150 | 2 | ----- | BFL10 #14 |
| 14 | Unidad de Barra de Conexión 1220 | 2 | ----- | BFL10 #14 |
| 15 | Pasador del Rodillo con Orificio Sencillo | 2 | H-7575-PT10 | BFL10 #10 |
| 16 | Pasador del Rodillo con Orificio Doble | 2 | H-7575-PT11 | BFL10 #11 |
| 17 | Clip Circular para Eje | 4 | ----- | BFL10 #17 |
| 18 | Pasador del Rodillo | 2 | ----- | BFL10 #18 |
| 19 | Unidad de Brazo de Balancín 520 | 1 | ----- | BFL10 #19 |
| 19 | Unidad de Brazo de Balancín 550 | 4 | ----- | BFL10 #19 |
| 19 | Unidad de Brazo de Balancín 685 | 2 | ----- | BFL10 #19 |
| 20 | Pasador del Rodillo | 2 | ----- | BFL10 #20 |
| 21 | Pasador de Resorte 3 x 20 | 4 | H-7575-PT12 | BFL10 #12 |
| 22 | Abrazadera para Llanta | 2 | H-7575-BRKTQ | BFL10 #13 |
| 23 | Ensamble del Armazón del Patín de 520 x 1150 | 1 | ----- | BFL10 #15 |
| 23 | Ensamble del Armazón del Patín de 520 x 1220 | 1 | ----- | BFL10 #15 |
| 23 | Ensamble del Armazón del Patín de 550 x 1150 | 1 | ----- | BFL10 #15 |
| 23 | Ensamble del Armazón del Patín de 550 x 1220 | 1 | ----- | BFL10 #15 |
| 23 | Ensamble del Armazón del Patín de 685 x 1150 | 1 | ----- | BFL10 #15 |
| 23 | Ensamble del Armazón del Patín de 685 x 1220 | 1 | ----- | BFL10 #15 |
| 24 | Kit de Tornillería para la Llanta de Horquilla Incluye: • Contratuerca (4) • Placa de Apoyo (4) • Eje de la Rueda (4) • Perno (4) | 1 | H-7575-HDWR | BFL10 #1 BFL10 #2 BFL10 #5 BFL10 #6 |
| 25 | Kit de Baleros para la Llanta de Horquilla Incluye: • Balero (16) • Llanta de Horquilla (4) | 1 | H-7575-WHLB | BFL10 #3 BFL10 #4 |
| 26 | Tornillo Hexagonal Interior | 1 | H-1043-B42 | B42 |
| 27 | Clip Circular para Orificio | 2 | H-1043-B21 | B21 |
| 28 | Contratuerca | 1 | H-1366-B44 | B44 |
| 29 | Eje para Llantas Frontales | 1 | ----- | B2 |
| 30 | Eje | 1 | H-1043-B118 | B118 |
| 31 | Perno de Resorte | 2 | H-1043-B117 | B117 |
| 32 | Eje Largo 520 | 1 | ----- | BFL10 #16 |
| 32 | Eje Largo 550 | 1 | ----- | BFL10 #16 |
| 32 | Eje Largo 685 | 1 | ----- | BFL10 #16 |

ULINE H-7575
PATÍN HIDRÁULICO
DE PERFIL SUPERBAJO

800-295-5510
 uline.mx

DIAGRAMA DEL ASA



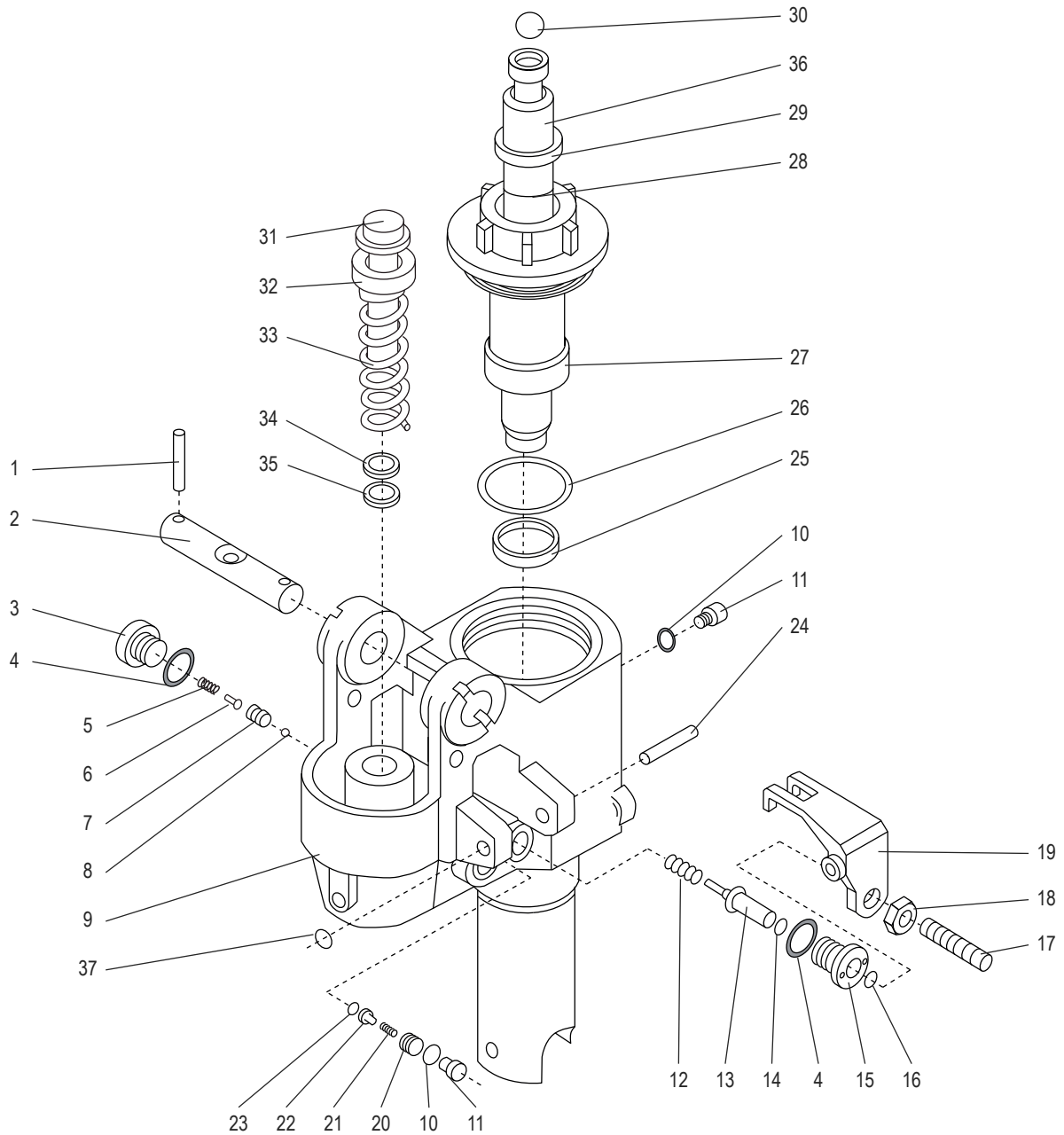
LISTA DE PARTES DEL DIAGRAMA DEL ASA

| # | DESCRIPCIÓN | CANT. | NO. DE PARTE DE ULINE | NO. DE PARTE DEL FABRICANTE |
|----|--------------------------------|-------|-----------------------|-------------------------------|
| A | Ensamble del Asa | 1 | H-1043-SHC | B1 |
| 1 | Resorte de Lámina | 1 | H-1366-B101 | B101 |
| 2 | Perno de Resorte | 2 | H-2721-B102 | B102 |
| 3 | Rodillo | 1 | H-2721-B103 | B103 |
| 4 | Perno de Resorte | 1 | H-2721-B104 | B104 |
| 5 | Perno de Resorte | 1 | H-2721-B105 | B105 |
| 6 | Perno de Resorte | 1 | H-2721-B106 | B106 |
| 7 | Asa | 1 | H-1483-B107 | B107 |
| 8 | Tubo para Asa | 1 | H-1043B108 | B108 |
| 9 | Eje | 1 | H-1043-109 | B109 |
| 10 | Perno de Resorte | 1 | H-1043-B110 | B110 |
| 11 | Rodillo de Presión | 1 | H-1043-B111 | B111 |
| 12 | Casquillo | 1 | H-1043-B112 | B112 |
| 13 | Casquillo | 2 | H-1043-B114 | B114 |
| 14 | Ensamble del Poste de Tracción | 1 | H-1043-B113 | H-1043-B113+B115+B116ASSEMBLY |

ULINE H-7575 PATÍN HIDRÁULICO DE PERFIL SUPERBAJO

800-295-5510
uline.mx

DIAGRAMA DE LA BOMBA



ULINE H-7575
PATÍN HIDRÁULICO
DE PERFIL SUPERBAJO

800-295-5510
 uline.mx

LISTA DE PARTES DEL DIAGRAMA DE LA BOMBA

| # | DESCRIPCIÓN | CANT. | NO. DE PARTE DE ULINE | NO. DE PARTE DEL FABRICANTE |
|----|--|-------|-----------------------|-----------------------------|
| 1 | Perno de Resorte | 2 | H-1043-B117 | B117 |
| 2 | Eje | 1 | H-1043-B118 | B118 |
| 3 | Tapón | 1 | H-1483-B119 | B119 |
| 4 | Rondana de Cobre | 2 | H-1043-120 | B120 |
| 5 | Resorte | 1 | H-1483-B121 | B121 |
| 6 | Cabezal de Válvula de Amortiguación | 1 | H-1193-B122 | B122 |
| 7 | Asiento de Válvula de Amortiguación | 1 | H-1193-B123 | B123 |
| 8 | Balín de Acero | 1 | H-2721-B124 | B124 |
| 9 | Base | 1 | ----- | B125 |
| 10 | Rondana de Cobre | 2 | H-1043-B126 | B126 |
| 11 | Perno | 2 | H-1043-B127 | B127 |
| 12 | Resorte | 1 | H-1193-B128 | B128 |
| 13 | Perno de Golpe | 1 | H-1193-B129 | B129 |
| 14 | Anillo Tórico | 1 | H-1193-B130 | B130 |
| 15 | Brazo de Eje | 1 | H-1043-B131 | B131 |
| 16 | Anillo Tórico | 1 | ----- | B132 |
| 17 | Perno (Tornillo de Ajuste) | 1 | H-1043-B133 | B133 |
| 18 | Tuerca (Tuerca del Tornillo de Ajuste) | 1 | H-1043-B134 | B134 |
| 19 | Palanca | 1 | H-1043-B135 | B135 |
| 20 | Perno | 1 | H-1043-B136 | B136 |
| 21 | Resorte | 1 | H-2721-B137 | B137 |
| 22 | Base del Balín | 1 | H-1782-B138 | B138 |
| 23 | Balín de Acero | 1 | H-1782-B139 | B139 |
| 24 | Pasador | 1 | H-1043-B140 | B140 |
| 25 | Anillo en Y | 1 | H-1043-B141 | B141 |
| 26 | Anillo Tórico | 1 | H-1043-B142 | B142 |
| 27 | Tapa del Cilindro | 1 | H-1043-B143 | B143 |
| 28 | Anillo Tórico | 1 | H-1043-B144 | B144 |
| 29 | Anillo para Polvo | 1 | H-1043-B145 | B145 |
| 30 | Balín de Acero | 1 | H-1043-B146N | B146 |
| 31 | Émbolo de la Bomba | 1 | H-1366-B147 | B147 |
| 32 | Rondana | 1 | ----- | B148 |
| 33 | Resorte Grande | 1 | H-1483-B149 | B149 |
| 34 | Anillo para Polvo | 1 | H-1043-B150 | B150 |
| 35 | Anillo en Y | 1 | H-1043-B151 | B151 |
| 36 | Barra de Pistón | 1 | H-1043-B152 | B152 |
| 37 | Anillo de Retención para Eje | 1 | H-1043-B153 | B153 |
| | Kit del Sello de la Bomba del Patín Hidráulico (No se Muestra) | 1 | H-7575-PSEAL | ----- |

ULINE H-7575 TRANSPALETTE À PROFIL TRÈS BAS

1-800-295-5510
uline.ca

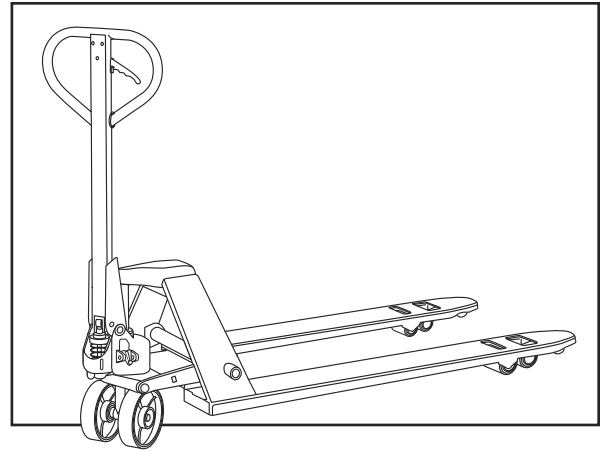
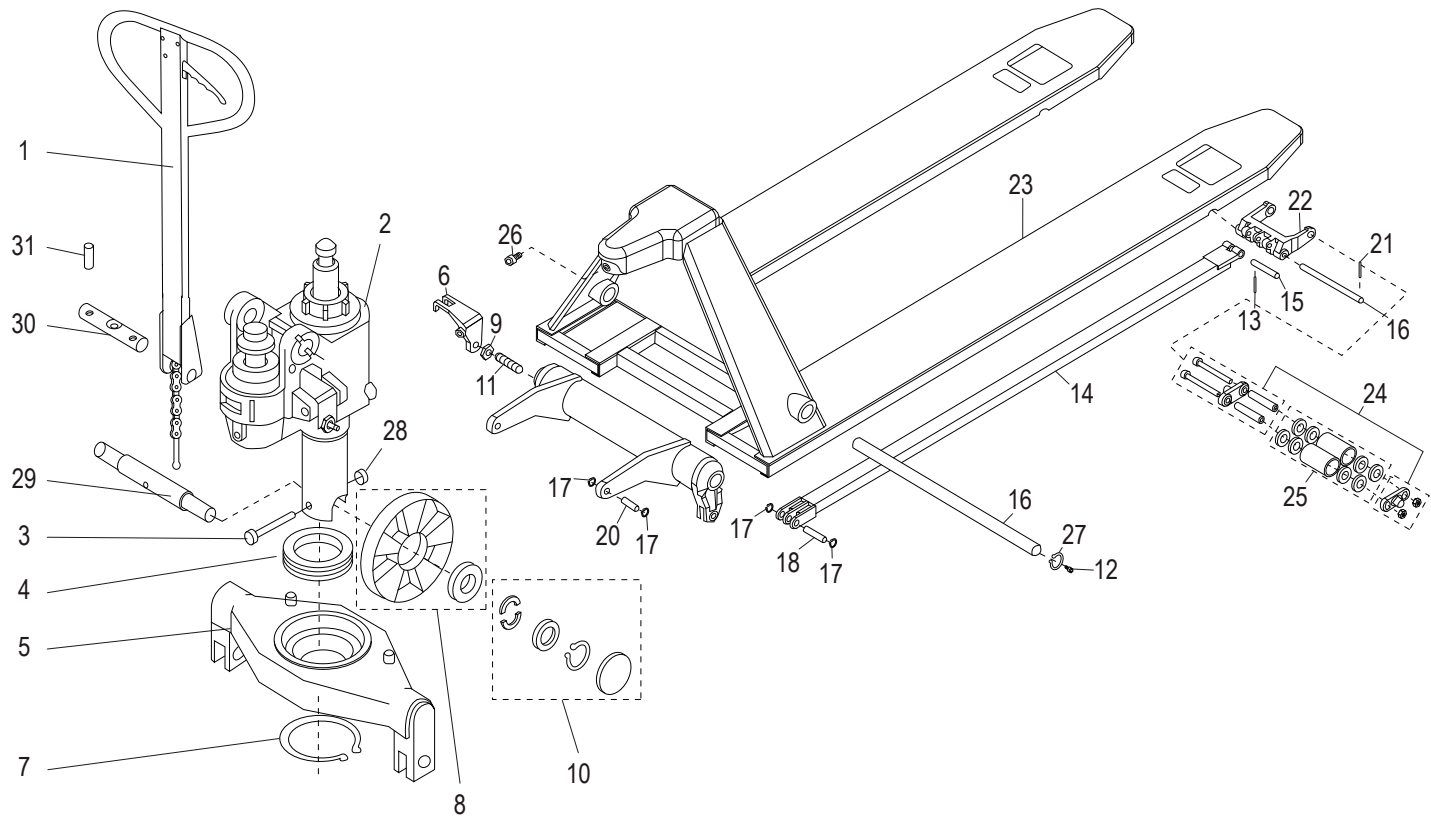


SCHÉMA DE LA STRUCTURE



Liste des pièces du schéma de la structure

| # | DESCRIPTION | QTÉ | RÉF. ULINE | RÉF. DU FABRICANT |
|---|---------------------------------|-----|-------------|-------------------|
| 1 | Ensemble de la poignée | 1 | H-1043-SHC | B1 |
| 2 | Pompe (standard) | 1 | H-7575-PUMP | ----- |
| 3 | Boulon à tête hexagonale | 1 | ----- | B3 |
| 4 | Palier | 1 | ----- | B4 |
| 5 | Socle de support | 1 | ----- | BFL10 #21 |
| 6 | Plaque de levier | 1 | H-1483-B135 | B135 |
| 7 | Anneau de retenue pour arbre 55 | 1 | ----- | B7 |
| 8 | Roue directrice | 1 | H-1365-8 | BFL15PT#2, B9 |
| 9 | Écrou à tête hexagonale | 1 | H-1043-B134 | B134 |

ULINE H-7575

TRANSPALETTE À PROFIL TRÈS BAS

1-800-295-5510
uline.ca

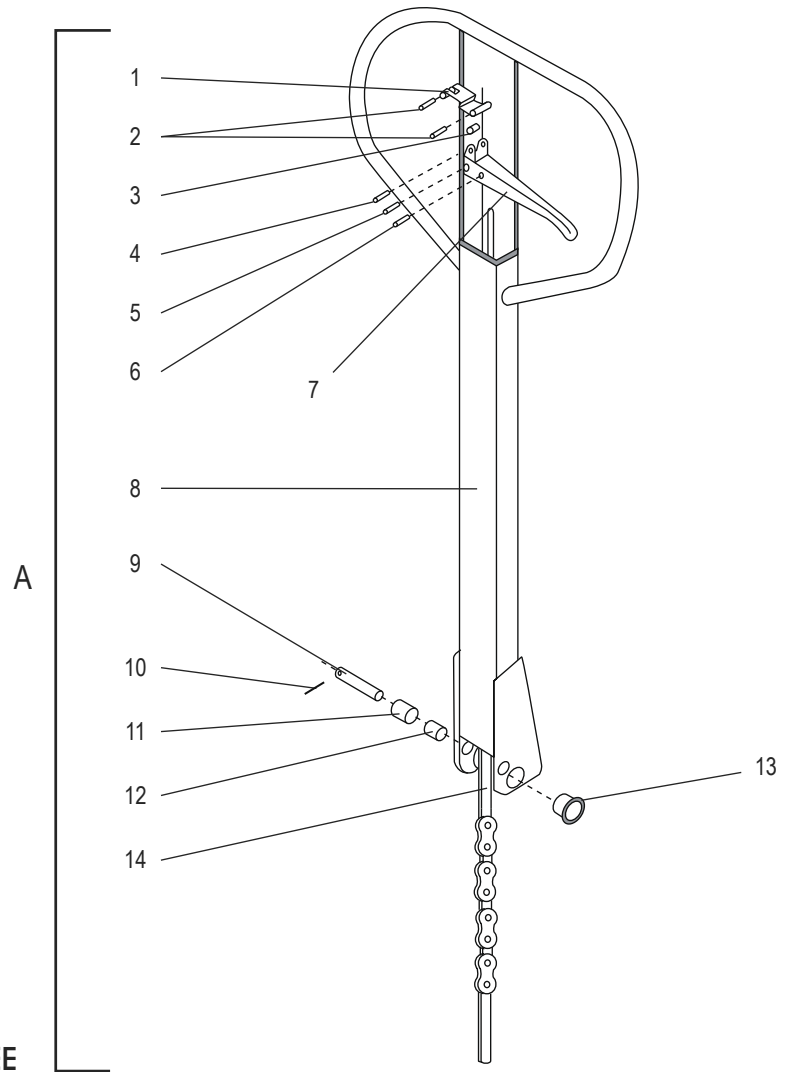
LISTE DES PIÈCES DU SCHÉMA DE LA STRUCTURE SUITE

| # | DESCRIPTION | QTÉ | RÉF. ULINE | RÉF. DU FABRICANT |
|----|--|-----|--------------|--|
| 10 | Ensemble de matériel d'installation de la grande roue (directrice) Comprend : • Bague semi-circulaire (4) • Rondelle (2) • Anneau de retenue pour arbre (2) • Couvercle antipoussière (2) | 1 | H-6017 | B10-B13 |
| 11 | Vis de réglage | 1 | ----- | B133 |
| 12 | Raccord de graissage | 2 | ----- | B12 |
| 13 | Goupille à ressort | 2 | H-7575-PT9 | BFL10 #9 |
| 14 | Barre de liaison 1150 | 2 | ----- | BFL10 #14 |
| 14 | Barre de liaison 1220 | 2 | ----- | BFL10 #14 |
| 15 | Goupille cylindrique avec trou simple | 2 | H-7575-PT10 | BFL10 #10 |
| 16 | Goupille cylindrique avec double trou | 2 | H-7575-PT11 | BFL10 #11 |
| 17 | Anneau de retenue pour essieu | 4 | ----- | BFL10 #17 |
| 18 | Goupille cylindrique | 2 | ----- | BFL10 #18 |
| 19 | Culbuteur 520 | 1 | ----- | BFL10 #19 |
| 19 | Culbuteur 550 | 4 | ----- | BFL10 #19 |
| 19 | Culbuteur 685 | 2 | ----- | BFL10 #19 |
| 20 | Goupille cylindrique | 2 | ----- | BFL10 #20 |
| 21 | Goupille à ressort, 3 x 20 | 4 | H-7575-PT12 | BFL10 #12 |
| 22 | Support de roue | 2 | H-7575-BRKTQ | BFL10 #13 |
| 23 | Ensemble de la structure du transpalette, 520 x 1150 | 1 | ----- | BFL10 #15 |
| 23 | Ensemble de la structure du transpalette, 520 x 1220 | 1 | ----- | BFL10 #15 |
| 23 | Ensemble de la structure du transpalette, 550 x 1150 | 1 | ----- | BFL10 #15 |
| 23 | Ensemble de la structure du transpalette, 550 x 1220 | 1 | ----- | BFL10 #15 |
| 23 | Ensemble de la structure du transpalette, 685 x 1150 | 1 | ----- | BFL10 #15 |
| 23 | Ensemble de la structure du transpalette, 685 x 1220 | 1 | ----- | BFL10 #15 |
| 24 | Ensemble de matériel d'installation de la roue de fourche Comprend : • Écrou freiné (4) • Plaque de support (4) • Essieu de roue (4) • Boulon (4) | 1 | H-7575-HDWR | BFL10 #1 BFL10 #2 BFL10 #5 BFL10 #6 |
| 25 | Ensemble de paliers de la roue de fourche Comprend : • Palier (16) • Roue de fourche (4) | 1 | H-7575-WHLB | BFL10 #3 BFL10 #4 |
| 26 | Vis interne à tête hexagonale | 1 | H-1043-B42 | B42 |
| 27 | Anneau de retenue pour trou | 2 | H-1043-B21 | B21 |
| 28 | Écrou freiné | 1 | H-1366-B44 | B44 |
| 29 | Essieu de roue avant | 1 | ----- | B2 |
| 30 | Arbre | 1 | H-1043-B118 | B118 |
| 31 | Goupille à ressort | 2 | H-1043-B117 | B117 |
| 32 | Long arbre 520 | 1 | ----- | BFL10 #16 |
| 32 | Long arbre 550 | 1 | ----- | BFL10 #16 |
| 32 | Long arbre 685 | 1 | ----- | BFL10 #16 |

ULINE H-7575
TRANSPALETTE À
PROFIL TRÈS BAS

1-800-295-5510
 uline.ca

SCHÉMA DE LA POIGNÉE



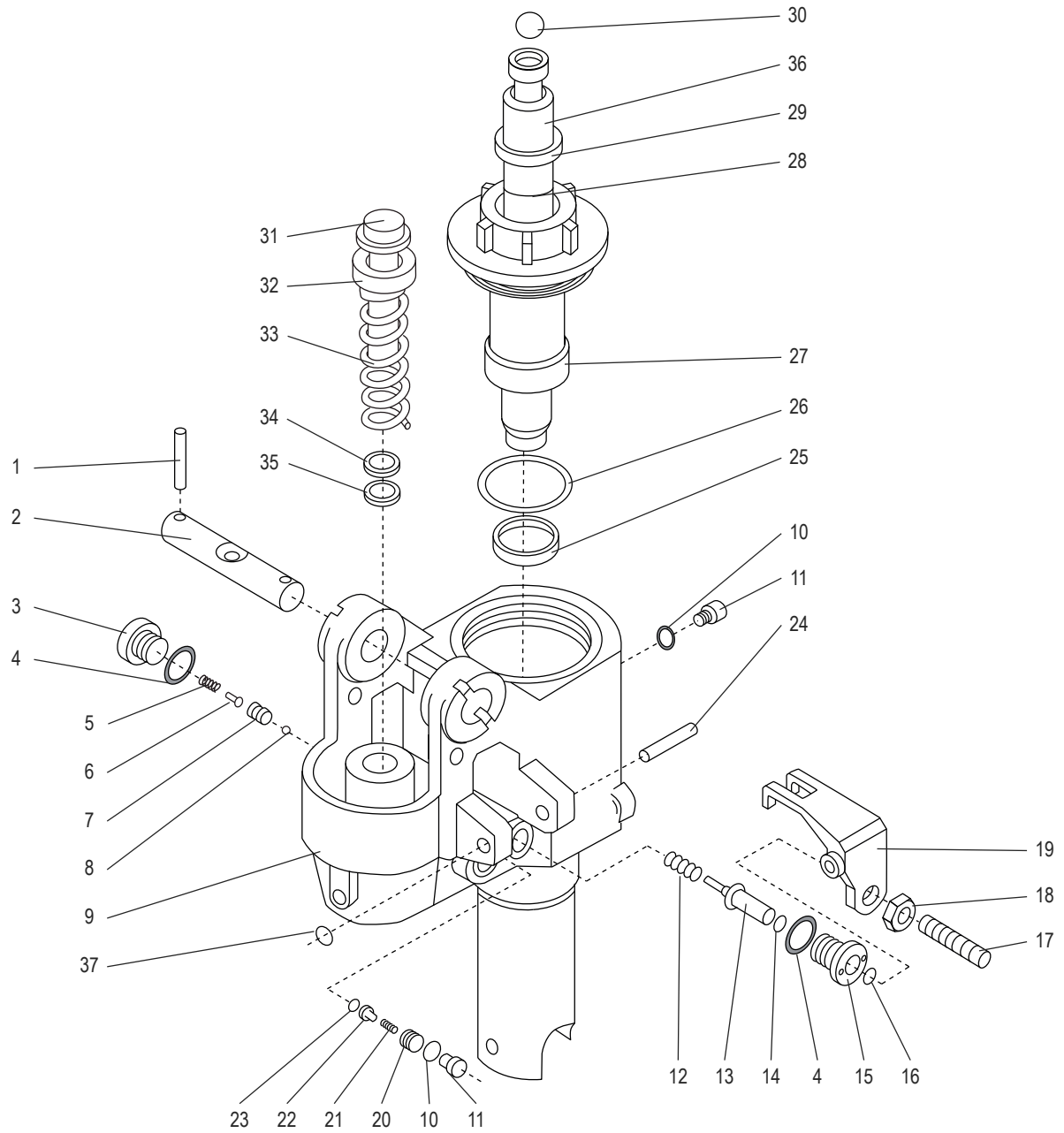
LISTE DES PIÈCES DU SCHÉMA DE LA POIGNÉE

| # | DESCRIPTION | QTÉ | RÉF. ULINE | RÉF. DU FABRICANT |
|----|--------------------------|-----|-------------|-------------------------------|
| A | Ensemble de la poignée | 1 | H-1043-SHC | B1 |
| 1 | Ressort à lame | 1 | H-1366-B101 | B101 |
| 2 | Goupille à ressort | 2 | H-2721-B102 | B102 |
| 3 | Rouleau | 1 | H-2721-B103 | B103 |
| 4 | Goupille à ressort | 1 | H-2721-B104 | B104 |
| 5 | Goupille à ressort | 1 | H-2721-B105 | B105 |
| 6 | Goupille à ressort | 1 | H-2721-B106 | B106 |
| 7 | Poignée | 1 | H-1483-B107 | B107 |
| 8 | Tube de poignée | 1 | H-1043B108 | B108 |
| 9 | Arbre | 1 | H-1043-109 | B109 |
| 10 | Goupille à ressort | 1 | H-1043-B110 | B110 |
| 11 | Rouleau de pression | 1 | H-1043-B111 | B111 |
| 12 | Bague | 1 | H-1043-B112 | B112 |
| 13 | Bague | 2 | H-1043-B114 | B114 |
| 14 | Ensemble de tige à tirer | 1 | H-1043-B113 | H-1043-B113+B115+B116ASSEMBLY |

ULINE H-7575 TRANSPALETTE À PROFIL TRÈS BAS

1-800-295-5510
uline.ca

SCHÉMA DE LA POMPE



ULINE H-7575
TRANSPALETTE À
PROFIL TRÈS BAS

1-800-295-5510
 uline.ca

LISTE DES PIÈCES DU SCHÉMA DE LA POMPE

| # | DESCRIPTION | QTÉ | RÉF. ULINE | RÉF. DU FABRICANT |
|----|--|-----|--------------|-------------------|
| 1 | Goupille à ressort | 2 | H-1043-B117 | B117 |
| 2 | Arbre | 1 | H-1043-B118 | B118 |
| 3 | Bouchon | 1 | H-1483-B119 | B119 |
| 4 | Rondelle en cuivre | 2 | H-1043-120 | B120 |
| 5 | Ressort | 1 | H-1483-B121 | B121 |
| 6 | Tige du clapet d'amortissement | 1 | H-1193-B122 | B122 |
| 7 | Siège du clapet d'amortissement | 1 | H-1193-B123 | B123 |
| 8 | Bille d'acier | 1 | H-2721-B124 | B124 |
| 9 | Base | 1 | ----- | B125 |
| 10 | Rondelle en cuivre | 2 | H-1043-B126 | B126 |
| 11 | Boulon | 2 | H-1043-B127 | B127 |
| 12 | Ressort | 1 | H-1193-B128 | B128 |
| 13 | Broche de butée | 1 | H-1193-B129 | B129 |
| 14 | Joint torique | 1 | H-1193-B130 | B130 |
| 15 | Manchon d'essieu | 1 | H-1043-B131 | B131 |
| 16 | Joint torique | 1 | ----- | B132 |
| 17 | Boulon (vis de blocage) | 1 | H-1043-B133 | B133 |
| 18 | Écrou (écrou de vis de blocage) | 1 | H-1043-B134 | B134 |
| 19 | Levier | 1 | H-1043-B135 | B135 |
| 20 | Boulon | 1 | H-1043-B136 | B136 |
| 21 | Ressort | 1 | H-2721-B137 | B137 |
| 22 | Socle à bille | 1 | H-1782-B138 | B138 |
| 23 | Bille d'acier | 1 | H-1782-B139 | B139 |
| 24 | Goupille | 1 | H-1043-B140 | B140 |
| 25 | Anneau Y | 1 | H-1043-B141 | B141 |
| 26 | Joint torique | 1 | H-1043-B142 | B142 |
| 27 | Coiffe de cylindre | 1 | H-1043-B143 | B143 |
| 28 | Joint torique | 1 | H-1043-B144 | B144 |
| 29 | Anneau de glissement | 1 | H-1043-B145 | B145 |
| 30 | Bille d'acier | 1 | H-1043-B146N | B146 |
| 31 | Piston | 1 | H-1366-B147 | B147 |
| 32 | Rondelle | 1 | ----- | B148 |
| 33 | Gros ressort | 1 | H-1483-B149 | B149 |
| 34 | Anneau de glissement | 1 | H-1043-B150 | B150 |
| 35 | Anneau Y | 1 | H-1043-B151 | B151 |
| 36 | Tige de piston | 1 | H-1043-B152 | B152 |
| 37 | Bague de retenue pour essieu | 1 | H-1043-B153 | B153 |
| | Ensemble de joint d'étanchéité de pompe de transpalette (non illustré) | 1 | H-7575-PSEAL | ----- |