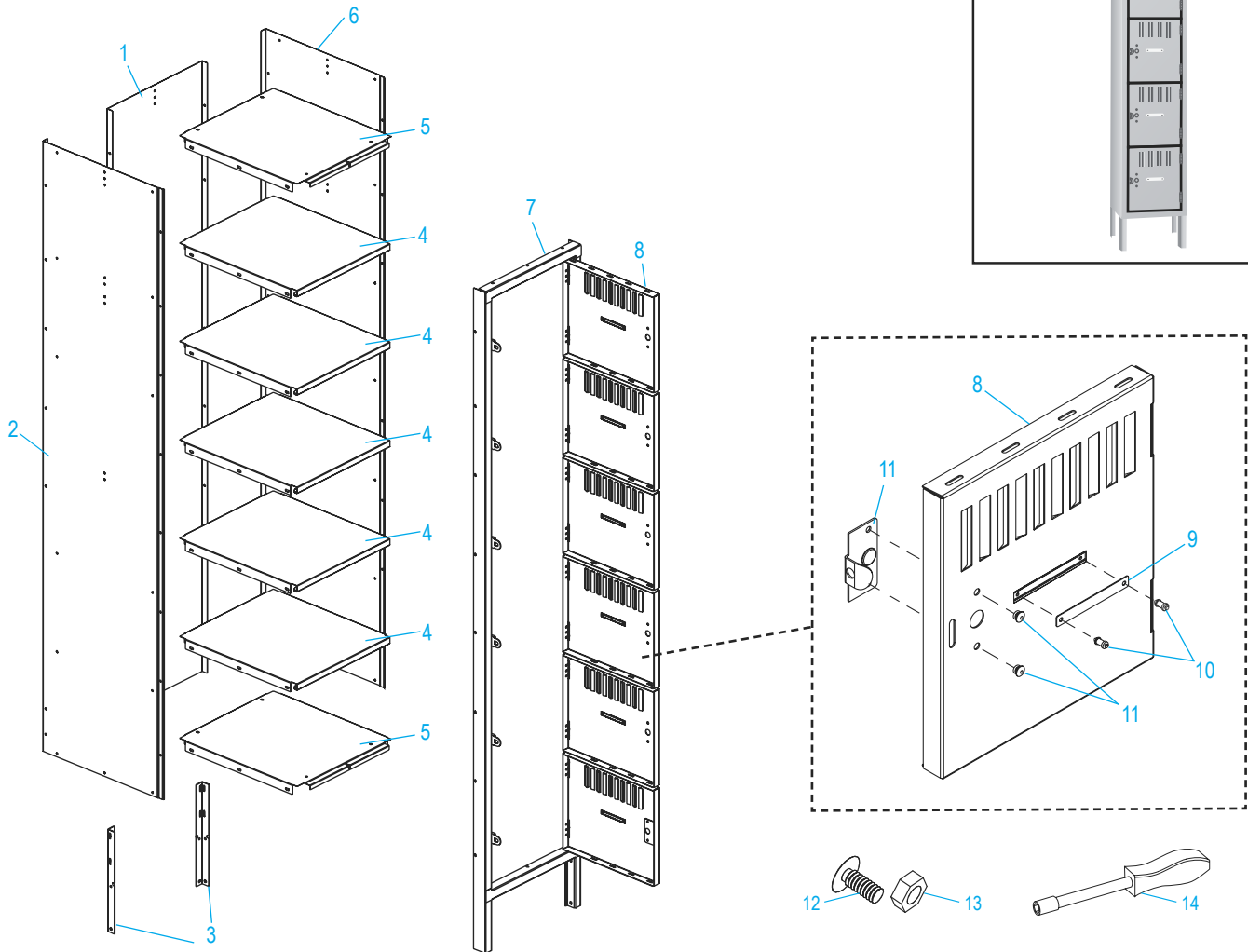
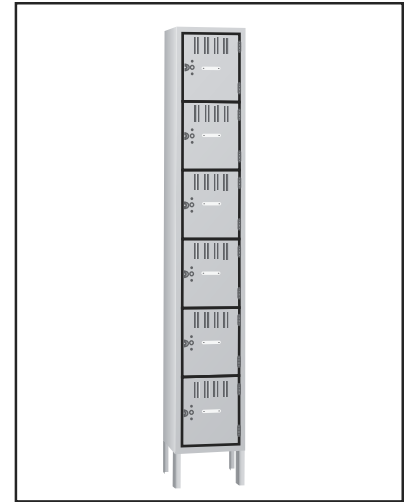


# ULINE H-6735 SIX TIER LOCKER ONE WIDE

1-800-295-5510  
uline.com

Para Español, vea páginas 3-4.  
Pour le français, consulter les pages 5-6.



| # | DESCRIPTION                | QTY. | ULINE PART NO. | MFG. PART NO.    |
|---|----------------------------|------|----------------|------------------|
| 1 | Back – Gray                | 1    | -----          | LSTB-1272-GRAY   |
| 1 | Back – Tan                 | 1    | -----          | LSTB-1272-TAN    |
| 2 | Left Side – Gray           | 1    | H-3639GR-LS    | LBSL-1272-GRAY   |
| 2 | Left Side – Tan            | 1    | -----          | LBSL-1272-TAN    |
| 3 | Rear Leg – Gray            | 2    | H-1393-RLEGS   | LRL-1-GRAY       |
| 3 | Rear Leg – Tan             | 2    | H-1227T-LRL1   | LRL-1-TAN        |
| 4 | Shelf – Gray               | 5    | H-3637GRSHLF   | ESL-1212-GRAY    |
| 4 | Shelf – Tan                | 5    | -----          | ESL-1212-TAN     |
| 5 | Top/Bottom Shelves – Gray  | 2    | -----          | LTB-1212-GRAY    |
| 5 | Top/Bottom Shelves – Tan   | 2    | -----          | LTB-1212-TAN     |
| 6 | Right Side – Gray          | 1    | H-3639GR-RS    | LBSR-1272-GRAY   |
| 6 | Right Side – Tan           | 1    | -----          | LBSR-1272-TAN    |
| 7 | Door Frame Assembly – Gray | 1    | -----          | LBFA-1272-1-GRAY |
| 7 | Door Frame Assembly – Tan  | 1    | -----          | LBFA-1272-1-TAN  |

**ULINE** H-6735  
**SIX TIER LOCKER**  
**ONE WIDE**

1-800-295-5510  
uline.com

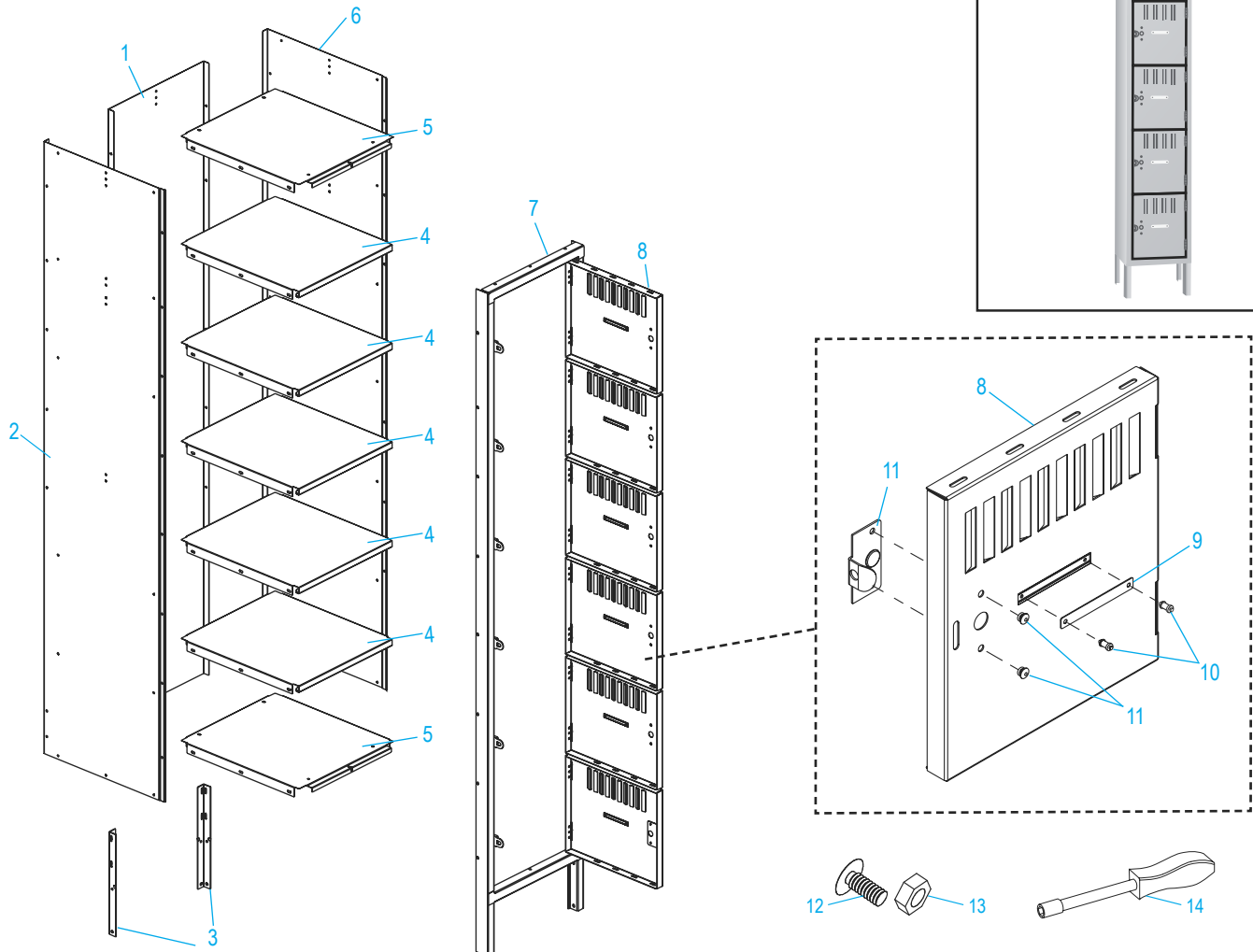
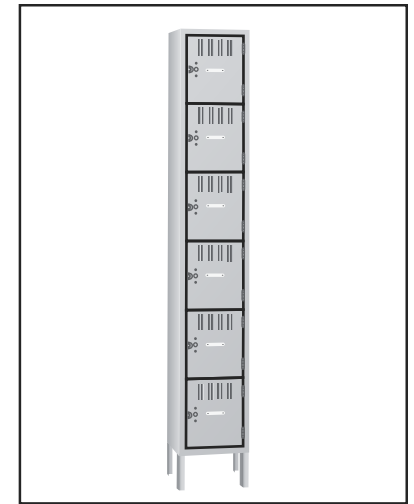
PARTS LIST CONTINUED

| #  | DESCRIPTION                                 | QTY. | ULINE PART NO. | MFG. PART NO. |
|----|---|------|----------------|---------------|
| 8  | Locker Door – Gray                          | 6    | -----          | LB-1212-GRAY  |
| 8  | Locker Door – Tan                           | 6    | -----          | LB-1212-TAN   |
| 9  | Number Plate & Clear Label Cover            | 6    | -----          | LNP-1         |
| 10 | Push Plug                                   | 12   | H-1224-LLP1    | LPP-1         |
| 11 | Finger Pull                                 | 6    | H-1845-11      | LFP-1         |
| 12 | Bolt (#8-32 x 1/2") - Part of Hardware Pack | 72   | H-1224-19      | H-72          |
| 13 | Nut (#8-32) - Part of Hardware Pack         | 72   | H-1224-19      | H-72          |
| 14 | Nut Driver                                  | 1    | H-1224-TOOL2   | TOOL-2        |

**ULINE H-6735****LOCKER DE SEIS PUERTAS  
UNO DE ANCHO**

800-295-5510

uline.mx



| # | DESCRIPCIÓN                            | CANT. | NO. DE PARTE DE ULINE | NO. DE PARTE DEL FABRICANTE |
|---|--|-------|-----------------------|-----------------------------|
| 1 | Parte Posterior – Gris                 | 1     | -----                 | LSTB-1272-GRAY              |
| 1 | Parte Posterior – Canela               | 1     | -----                 | LSTB-1272-TAN               |
| 2 | Lateral Izquierdo – Gris               | 1     | H-3639GR-LS           | LBSL-1272-GRAY              |
| 2 | Lateral Izquierdo – Canela             | 1     | -----                 | LBSL-1272-TAN               |
| 3 | Pata Posterior – Gris                  | 2     | H-1393-RLEGS          | LRL-1-GRAY                  |
| 3 | Pata Posterior – Canela                | 2     | H-1227T-LRL1          | LRL-1-TAN                   |
| 4 | Repisa – Gris                          | 5     | H-3637GRSHLF          | ESL-1212-GRAY               |
| 4 | Repisa – Canela                        | 5     | -----                 | ESL-1212-TAN                |
| 5 | Repisas Superiores/Inferiores – Gris   | 2     | -----                 | LTB-1212-GRAY               |
| 5 | Repisas Superiores/Inferiores – Canela | 2     | -----                 | LTB-1212-TAN                |
| 6 | Lateral Derecho – Gris                 | 1     | H-3639GR-RS           | LBSR-1272-GRAY              |
| 6 | Lateral Derecho – Canela               | 1     | -----                 | LBSR-1272-TAN               |
| 7 | Ensamble del Marco de Puerta – Gris    | 1     | -----                 | LBFA-1272-1-GRAY            |
| 7 | Ensamble del Marco de Puerta – Canela  | 1     | -----                 | LBFA-1272-1-TAN             |

**ULINE H-6735**  
**LOCKER DE SEIS PUERTAS**  
**UNO DE ANCHO**

800-295-5510  
 uline.mx

CONTINUACIÓN DE LA LISTA DE PARTES

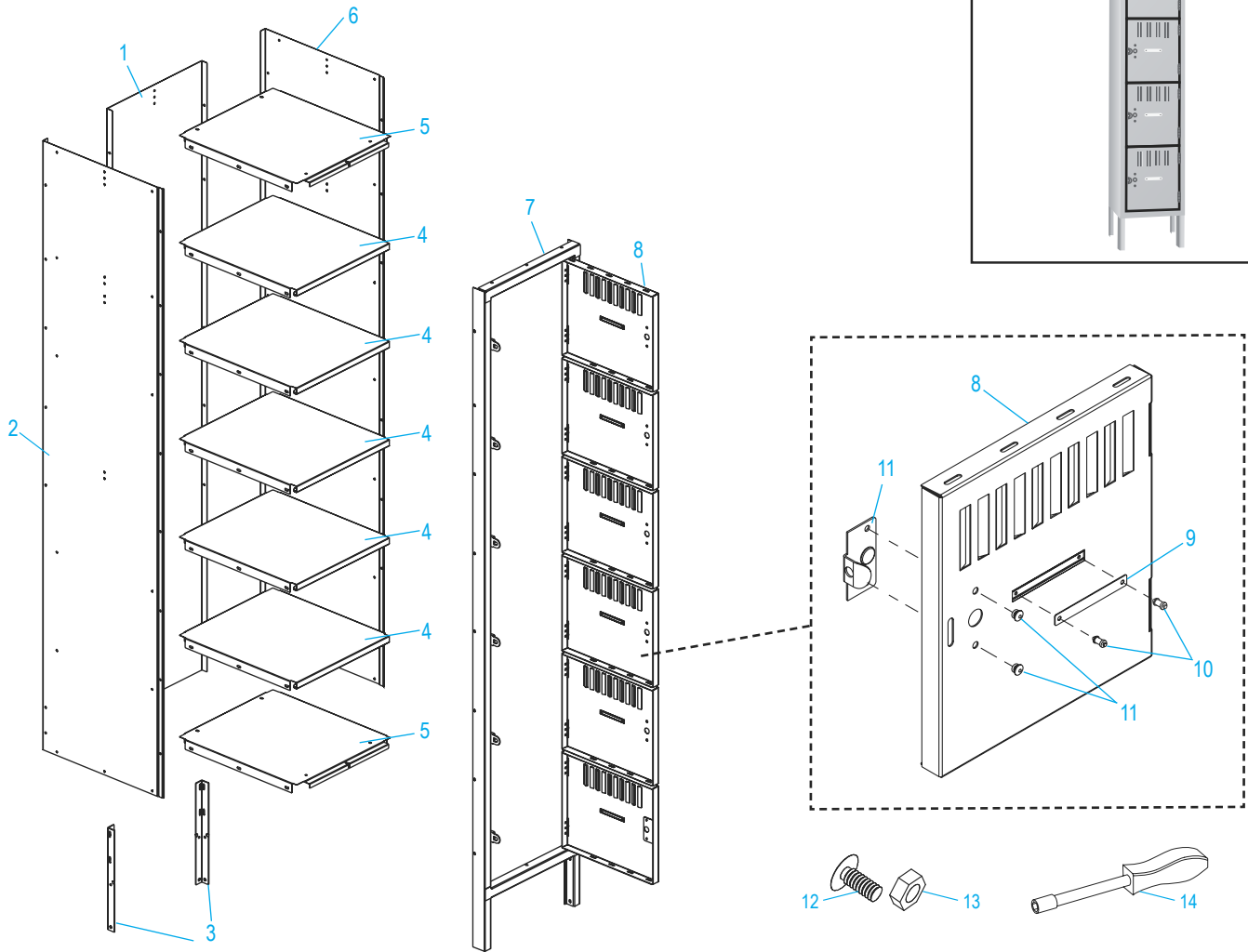
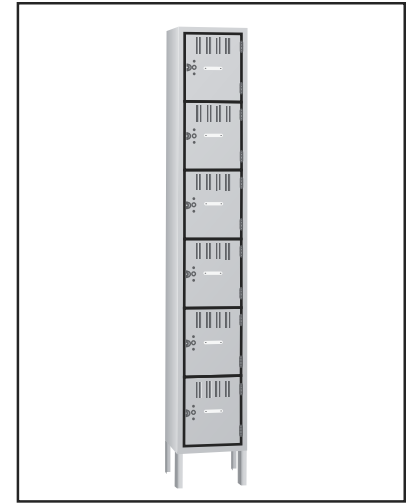
| #  | DESCRIPCIÓN   | CANT. | NO. DE PARTE DE ULINE | NO. DE PARTE DEL FABRICANTE |
|----|---|-------|-----------------------|-----------------------------|
| 8  | Puerta del Locker – Gris  | 6     | -----                 | LB-1212-GRAY                |
| 8  | Puerta del Locker – Canela  | 6     | -----                 | LB-1212-TAN                 |
| 9  | Placa del Número y Cubierta Transparente para Etiqueta                        | 6     | -----                 | LNP-1                       |
| 10 | Tapa a Presión  | 12    | H-1224-LLP1           | LPP-1                       |
| 11 | Jaladera  | 6     | H-1845-11             | LFP-1                       |
| 12 | Perno (#8-32 x 13 mm [1/2"]) - Parte del paquete de accesorios de instalación | 72    | H-1224-19             | H-72                        |
| 13 | Tuerca (#8-32) - Parte del paquete de accesorios de instalación               | 72    | H-1224-19             | H-72                        |
| 14 | Desarmador de Tuercas   | 1     | H-1224-TOOL2          | TOOL-2                      |

**ULINE H-6735**

**CASIER À SIX NIVEAUX  
UN DE LARGE**

1-800-295-5510

uline.ca



| # | DESCRIPTION                         | QTÉ | RÉF. ULINE   | RÉF. DU FABRICANT |
|---|-------------------------------------|-----|--------------|-------------------|
| 1 | Arrière – grise                     | 1   | -----        | LSTB-1272-GRAY    |
| 1 | Arrière – sable                     | 1   | -----        | LSTB-1272-TAN     |
| 2 | Côté gauche – grise                 | 1   | H-3639GR-LS  | LBSL-1272-GRAY    |
| 2 | Côté gauche – sable                 | 1   | -----        | LBSL-1272-TAN     |
| 3 | Patte arrière – grise               | 2   | H-1393-RLEGS | LRL-1-GRAY        |
| 3 | Patte arrière – sable               | 2   | H-1227T-LRL1 | LRL-1-TAN         |
| 4 | Tablette – grise                    | 5   | H-3637GRSHLF | ESL-1212-GRAY     |
| 4 | Tablette – sable                    | 5   | -----        | ESL-1212-TAN      |
| 5 | Tablettes du haut/bas – grise       | 2   | -----        | LTB-1212-GRAY     |
| 5 | Tablettes du haut/bas – sable       | 2   | -----        | LTB-1212-TAN      |
| 6 | Côté droit – grise                  | 1   | H-3639GR-RS  | LBSR-1272-GRAY    |
| 6 | Côté droit – sable                  | 1   | -----        | LBSR-1272-TAN     |
| 7 | Ensemble de cadres de porte – grise | 1   | -----        | LBFA-1272-1-GRAY  |
| 7 | Ensemble de cadres de porte – sable | 1   | -----        | LBFA-1272-1-TAN   |

**ULINE H-6735****CASIER À SIX NIVEAUX  
UN DE LARGE**

1-800-295-5510

uline.ca

## LISTE DES PIÈCES SUITE

| #  | DESCRIPTION  | QTÉ | RÉF. ULINE   | RÉF. DU FABRICANT |
|----|--|-----|--------------|-------------------|
| 8  | Porte de casier – grise  | 6   | -----        | LB-1212-GRAY      |
| 8  | Porte de casier – sable  | 6   | -----        | LB-1212-TAN       |
| 9  | Plaque numérotée et protège-étiquette transparent                    | 6   | -----        | LNP-1             |
| 10 | Bouchon à pression   | 12  | H-1224-LLP1  | LPP-1             |
| 11 | Passe-main   | 6   | H-1845-11    | LFP-1             |
| 12 | Boulon (n° 8-32 x 13 mm [1/2 po]) - Partie de l'ensemble de matériel | 72  | H-1224-19    | H-72              |
| 13 | Écrou (n° 8-32) - Partie de l'ensemble de matériel                   | 72  | H-1224-19    | H-72              |
| 14 | Tournevis à douille  | 1   | H-1224-TOOL2 | TOOL-2            |