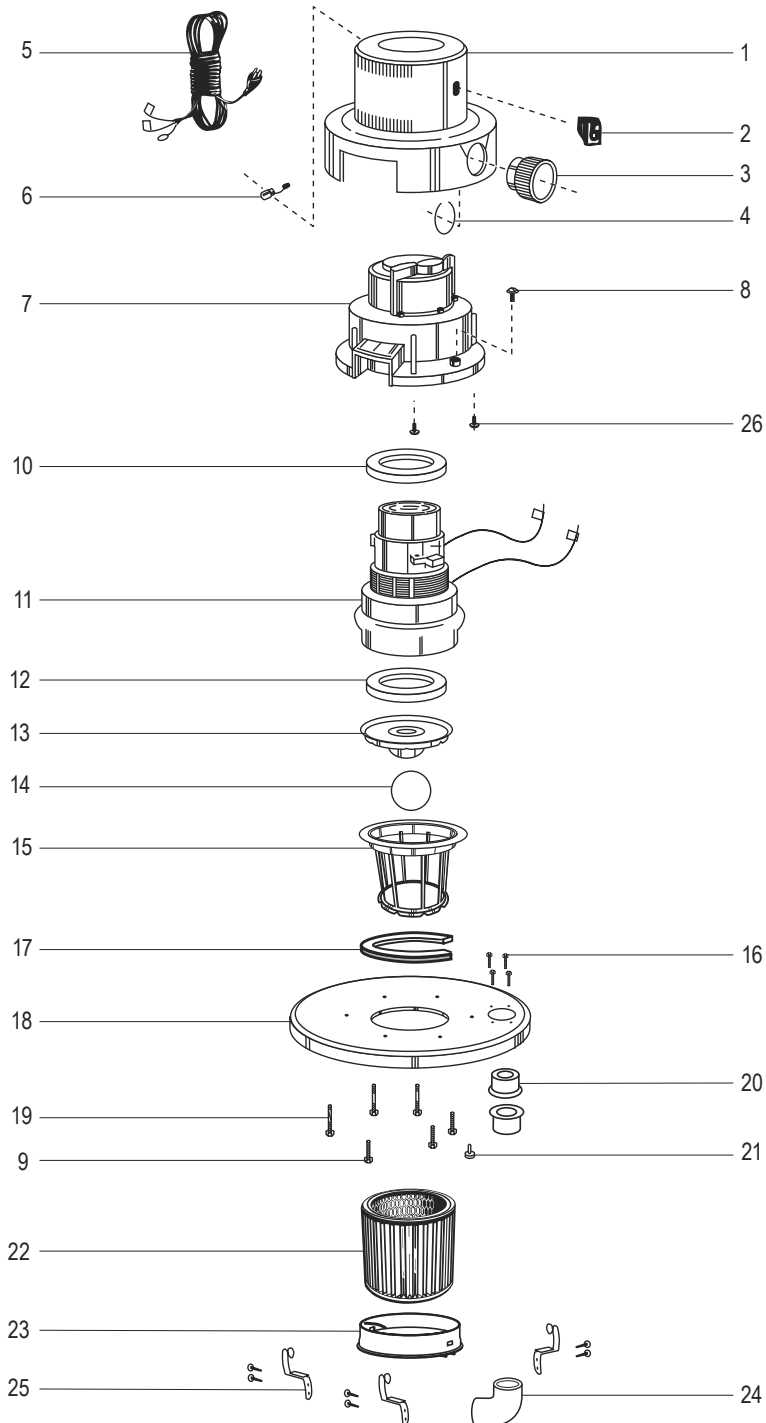
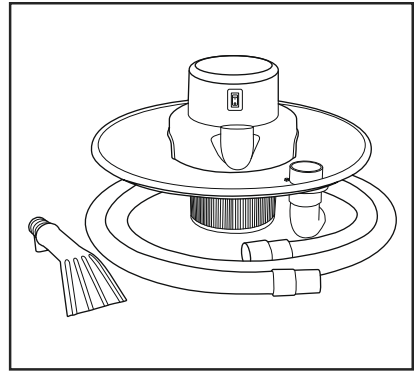


ULINE H-6489
SHOP-VAC® DRUM TOP
WET/DRY VACUUM

1-800-295-5510
 uline.com

Para Español, vea páginas 3-4.
 Pour le français, consulter les pages 5-6.



ULINE H-6489**SHOP-VAC® DRUM TOP
WET/DRY VACUUM****1-800-295-5510**

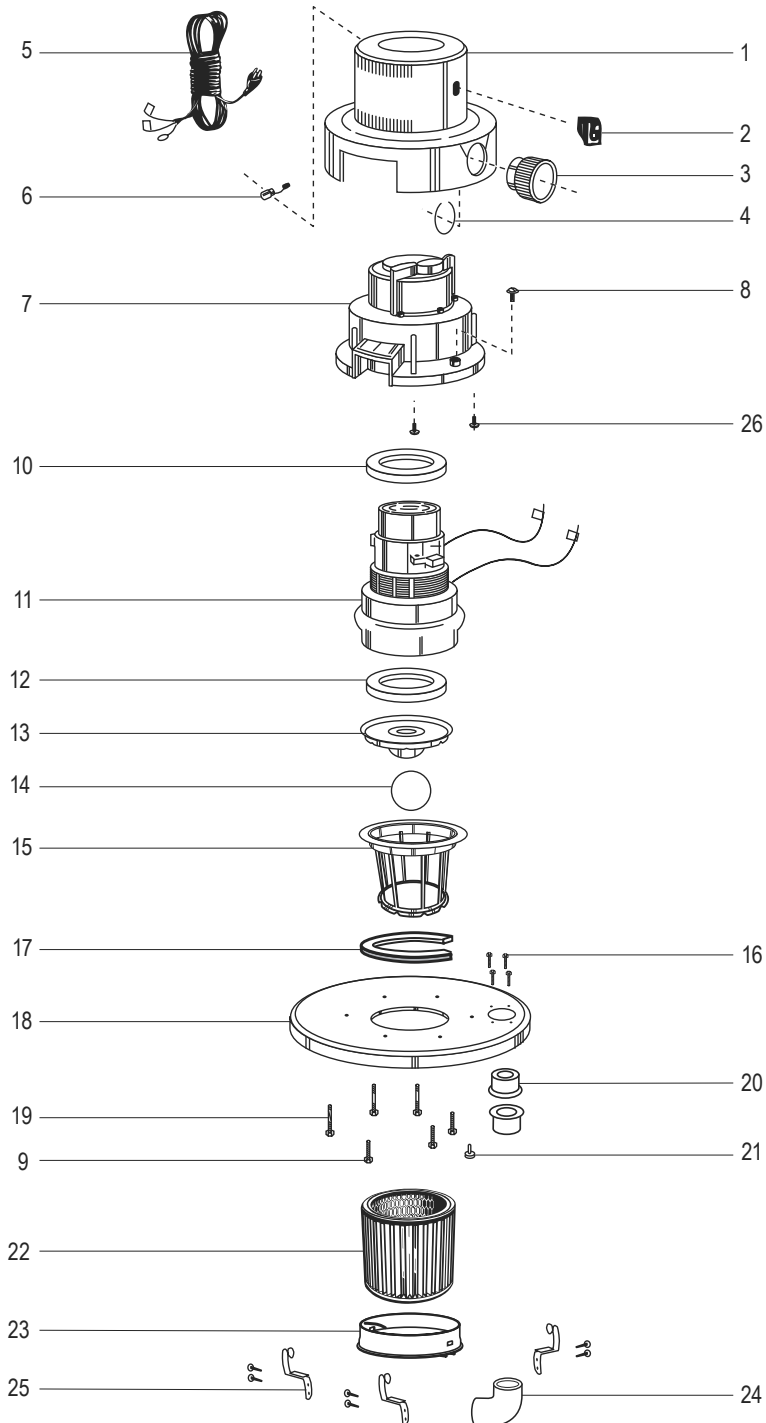
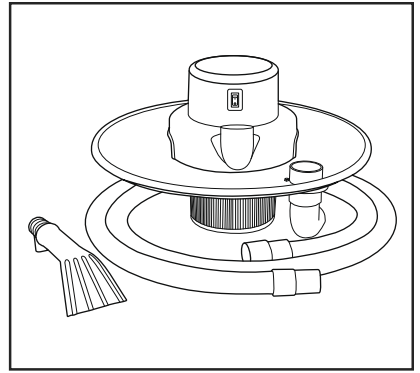
uline.com

| # | DESCRIPTION | QTY. | ULINE PART NO. | MFG. PART NO. |
|----|-----------------------------------|------|----------------|---------------|
| 1 | Motor Cover | 1 | ----- | 1945014 |
| 2 | Switch | 1 | ----- | 8231900 |
| 3 | Exhaust Fitting | 1 | ----- | 8460000 |
| 4 | Retaining Ring | 1 | ----- | 3600299 |
| 5 | Power Cord | 1 | ----- | 4151700 |
| 6 | Strain Relief Bushing | 1 | ----- | 3400499 |
| 7 | Motor Housing | 1 | ----- | 7211100 |
| 8 | #10 – 24 x 5/8" Screw | 1 | ----- | 0900699 |
| 9 | #10 x 1" Screw | 2 | ----- | 1508499 |
| 10 | Upper Motor Gasket | 1 | ----- | 2070000 |
| 11 | Motor | 1 | ----- | 1944251 |
| 12 | Lower Motor Gasket | 1 | ----- | 2071600 |
| 13 | Grid Plate | 1 | ----- | 8860700 |
| 14 | Ball Float | 1 | ----- | 0081100 |
| 15 | Filter Cage | 1 | ----- | 8790100 |
| 16 | #10 x 5/8" Screw | 4 | ----- | 1505499 |
| 17 | Strip Gasket | 1 | H-6489-17 | 2071101 |
| 18 | Cover | 1 | ----- | 3115400 |
| 19 | #10 x 3" Screw | 2 | ----- | 1505899 |
| 20 | Flange Ferrule | 2 | ----- | 2340100 |
| 21 | #10 – 24 Hex Nut | 1 | ----- | 1300999 |
| 22 | Cartridge Filter | 1 | S-16077 | 90350 |
| 23 | Filter Retainer | 1 | H-5011-FILRE | 3008000 |
| 24 | Elbow | 1 | H-6489-24Q | 0910400 |
| 25 | Latch with Hardware | 3 | H-6489-LATCH | 5370505 |
| 26 | #10 x 3/4" Slotted Hex Head Screw | 2 | H-2603-SCREW | 1503999 |
| | Hose, 12' x 1.5" (Not Shown) | 1 | H-6489-HOSE | 9056600 |

ULINE H-6489

**SHOP-VAC® ASPIRADORA
EN SECO/MOJADO PARA
ABERTURA DE TAMBO**

800-295-5510
uline.mx



ULINE H-6489**SHOP-VAC® ASPIRADORA
EN SECO/MOJADO PARA
ABERTURA DE TAMBO**

800-295-5510

uline.mx

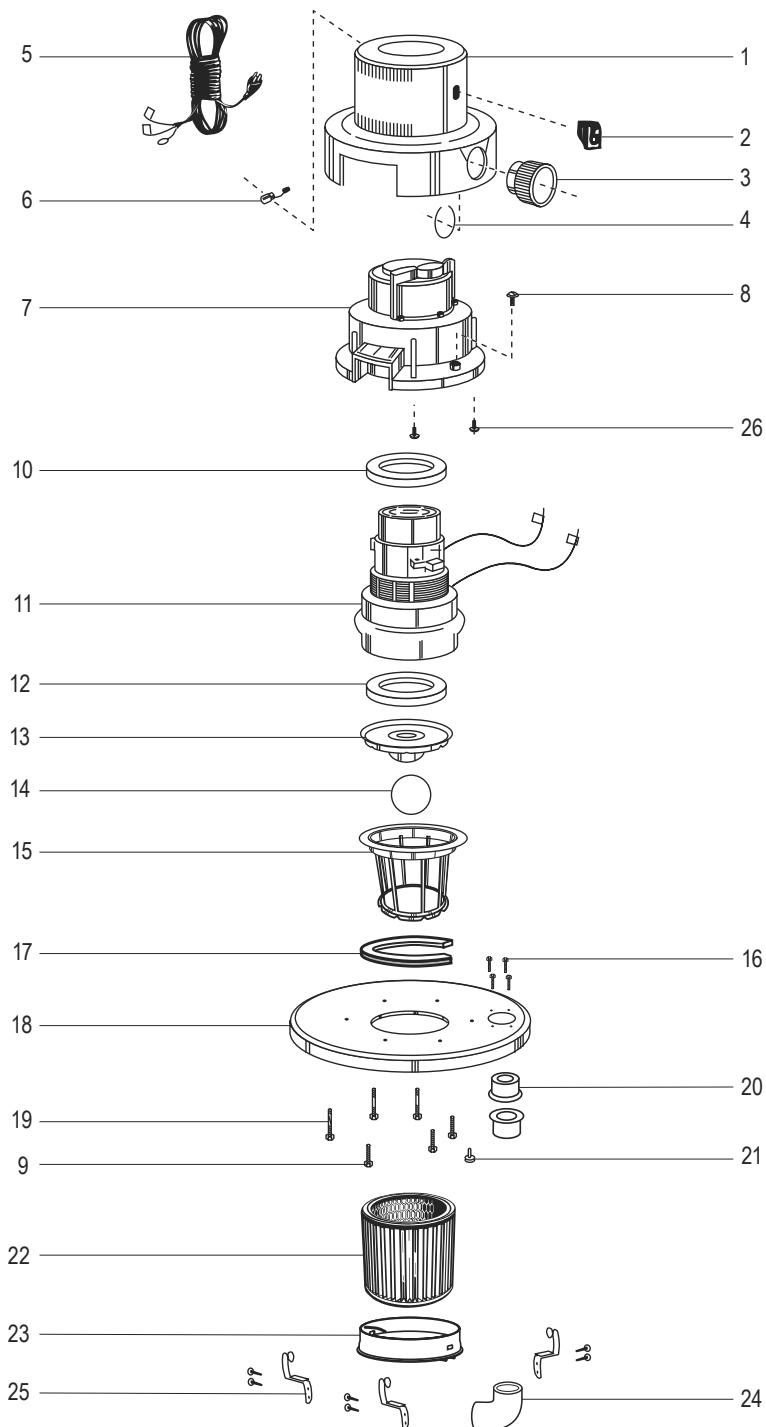
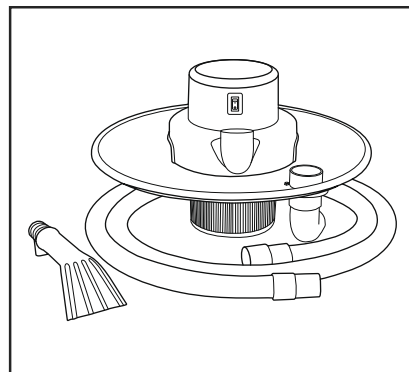
| # | DESCRIPCIÓN | CANT. | NO. DE PARTE DE ULINE | NO. DE PARTE DEL FABRICANTE |
|----|---|-------|-----------------------|-----------------------------|
| 1 | Cubierta del Motor | 1 | ----- | 1945014 |
| 2 | Interruptor | 1 | ----- | 8231900 |
| 3 | Ajuste de Escape | 1 | ----- | 8460000 |
| 4 | Anillo de Retención | 1 | ----- | 3600299 |
| 5 | Cable de Alimentación | 1 | ----- | 4151700 |
| 6 | Buje de Alivio de Presión | 1 | ----- | 3400499 |
| 7 | Carcasa del Motor | 1 | ----- | 7211100 |
| 8 | Tornillo #10 – 24 x 5/8" | 1 | ----- | 0900699 |
| 9 | Tornillo #10 x 1" | 2 | ----- | 1508499 |
| 10 | Junta de Motor Superior | 1 | ----- | 2070000 |
| 11 | Motor | 1 | ----- | 1944251 |
| 12 | Junta de Motor Inferior | 1 | ----- | 2071600 |
| 13 | Placa de Rejilla | 1 | ----- | 8860700 |
| 14 | Flotador | 1 | ----- | 0081100 |
| 15 | Canasta de Filtro | 1 | ----- | 8790100 |
| 16 | Tornillo #10 x 5/8" | 4 | ----- | 1505499 |
| 17 | Empaque de Junta | 1 | H-6489-17 | 2071101 |
| 18 | Cubierta | 1 | ----- | 3115400 |
| 19 | Tornillo #10 x 3" | 2 | ----- | 1505899 |
| 20 | Casquillo de la Brida | 2 | ----- | 2340100 |
| 21 | Tuerca Hexagonal # 10 – 24 | 1 | ----- | 1300999 |
| 22 | Filtro del Cartucho | 1 | S-16077 | 90350 |
| 23 | Retenedor de Filtro | 1 | H-5011-FILRE | 3008000 |
| 24 | Codo | 1 | H-6489-24Q | 0910400 |
| 25 | Pestillo con Tornillería | 3 | H-6489-LATCH | 5370505 |
| 26 | Tornillo #10 x 3/4" con Cabeza Hexagonal y Ranura | 2 | H-2603-SCREW | 1503999 |
| | Manguera, 12' x 1.5" (No Se Muestra) | 1 | H-6489-HOSE | 9056600 |

ULINE H-6489

**SHOP-VAC^{MD} —
ASPIRATEUR HUMIDE/SEC
POUR DESSUS DE BARIL**

1-800-295-5510

uline.ca



ULINE H-6489**SHOP-VAC^{MD} –****ASPIRATEUR HUMIDE/SEC
POUR DESSUS DE BARIL****1-800-295-5510**

uline.ca

| # | DESCRIPTION | QTÉ | RÉF. ULINE | RÉF. DU FABRICANT |
|----|---|-----|--------------|-------------------|
| 1 | Couvercle du moteur | 1 | ----- | 1945014 |
| 2 | Interrupteur | 1 | ----- | 8231900 |
| 3 | Raccord d'évacuation | 1 | ----- | 8460000 |
| 4 | Bague de retenue | 1 | ----- | 3600299 |
| 5 | Cordon d'alimentation | 1 | ----- | 4151700 |
| 6 | Bague antitraction | 1 | ----- | 3400499 |
| 7 | Boîtier du moteur | 1 | ----- | 7211100 |
| 8 | Vis n° 10 – 24 x 5/8 po | 1 | ----- | 0900699 |
| 9 | Vis n° 10 x 1 po | 2 | ----- | 1508499 |
| 10 | Joint supérieur du moteur | 1 | ----- | 2070000 |
| 11 | Moteur | 1 | ----- | 1944251 |
| 12 | Joint inférieur du moteur | 1 | ----- | 2071600 |
| 13 | Plaque à grille | 1 | ----- | 8860700 |
| 14 | Floffeur | 1 | ----- | 0081100 |
| 15 | Cage à filtre | 1 | ----- | 8790100 |
| 16 | Vis n° 10 x 5/8 po | 4 | ----- | 1505499 |
| 17 | Bande de joint d'étanchéité | 1 | H-6489-17 | 2071101 |
| 18 | Couvercle | 1 | ----- | 3115400 |
| 19 | Vis n° 10 x 3 po | 2 | ----- | 1505899 |
| 20 | Virole à bride | 2 | ----- | 2340100 |
| 21 | Écrou hexagonal n° 10 – 24 | 1 | ----- | 1300999 |
| 22 | Cartouche filtrante | 1 | S-16077 | 90350 |
| 23 | Anneau de retenue de cartouche filtrante | 1 | H-5011-FILRE | 3008000 |
| 24 | Coude | 1 | H-6489-24Q | 0910400 |
| 25 | Loquet avec matériel | 3 | H-6489-LATCH | 5370505 |
| 26 | Vis fendue à tête hexagonale n° 10 x 3/4 po | 2 | H-2603-SCREW | 1503999 |
| | Tuyau, 12 pi x 1,5 po (non illustré) | 1 | H-6489-HOSE | 9056600 |