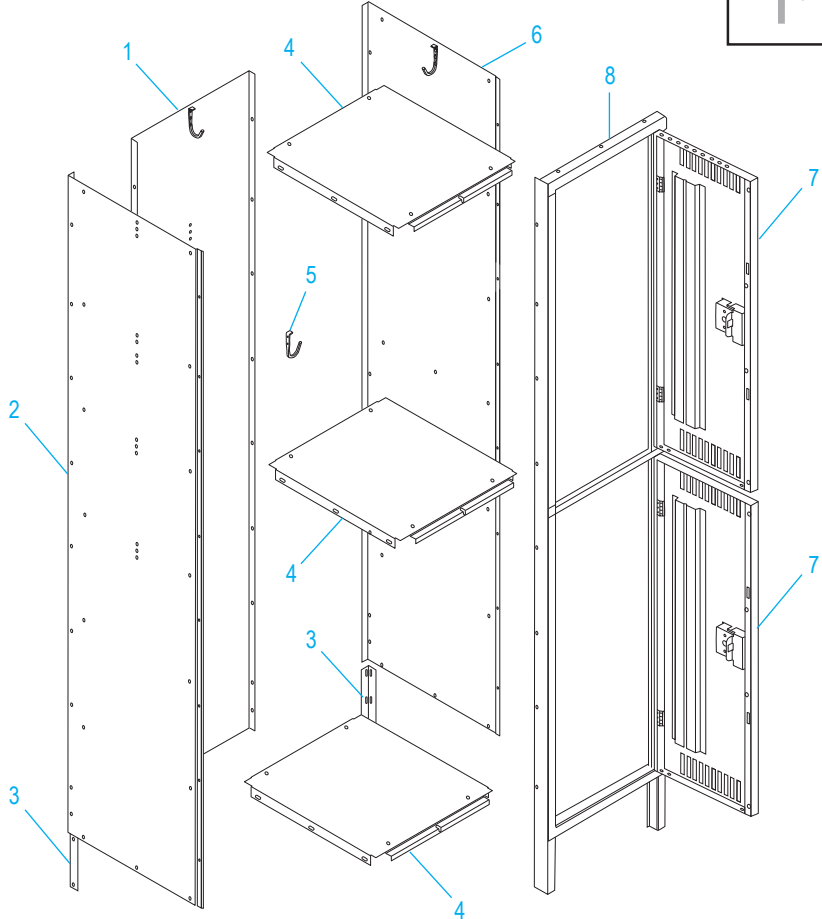


**ULINE H-5533**  
**DOUBLE TIER LOCKER**  
**THREE WIDE**

1-800-295-5510  
 uline.com

PRIMARY ASSEMBLY



| # | DESCRIPTION               | QTY. | ULINE PART NO. | MFG. PART NO.  |
|---|---------------------------|------|----------------|----------------|
| 1 | Back – Gray               | 3    | -----          | LSTB-1572-GRAY |
| 1 | Back – Tan                | 3    | -----          | LSTB-1572-TAN  |
| 2 | Left Side – Gray          | 2    | -----          | LSSL-1872-GRAY |
| 2 | Left Side – Tan           | 2    | H-5529T-LPNL   | LSSL-1872-TAN  |
| 3 | Rear Leg – Gray           | 4    | H-1393-RLEGS   | LRL-1-GRAY     |
| 3 | Rear Leg – Tan            | 4    | H-1227T-LRL1   | LRL-1-TAN      |
| 4 | Top/Bottom Shelves – Gray | 9    | H-5533-TPBTM   | LTB-1518-GRAY  |
| 4 | Top/Bottom Shelves – Tan  | 9    | -----          | LTB-1518-TAN   |

**ULINE** H-5533  
**DOUBLE TIER LOCKER**  
**THREE WIDE**

1-800-295-5510  
uline.com

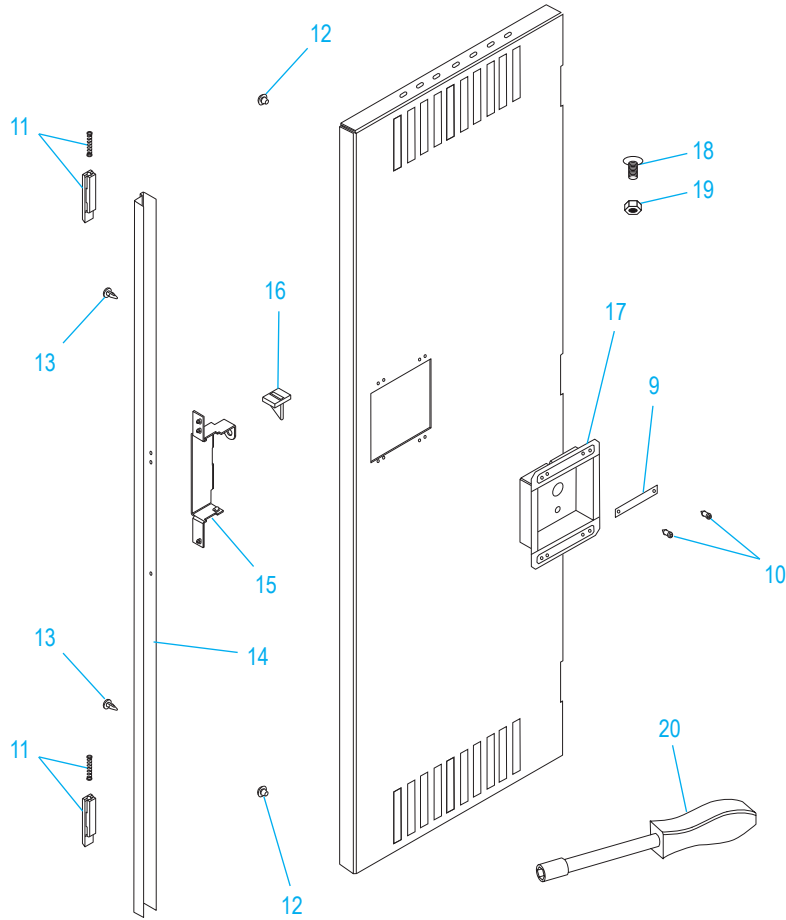
PRIMARY ASSEMBLY CONTINUED

| # | DESCRIPTION                | QTY. | ULINE PART NO. | MFG. PART NO.   |
|---|----------------------------|------|----------------|-----------------|
| 5 | Coat Hook                  | 18   | H-1224-LCH1    | LCH-1           |
| 6 | Right Side – Gray          | 2    | H-5529GR-RS    | LSSR-1872-GRAY  |
| 6 | Right Side – Tan           | 2    | -----          | LSSR-1872-TAN   |
| 7 | Locker Door – Gray         | 6    | -----          | LDTD-1536-GRAY  |
| 7 | Locker Door – Tan          | 6    | -----          | LDTD-1536-TAN   |
| 8 | Door Frame Assembly – Gray | 3    | -----          | LDFA-1572-1GRAY |
| 8 | Door Frame Assembly – Tan  | 3    | -----          | LDFA-1572-1TAN  |

**ULINE** H-5533  
**DOUBLE TIER LOCKER**  
**THREE WIDE**

1-800-295-5510  
 uline.com

HANDLE ASSEMBLY



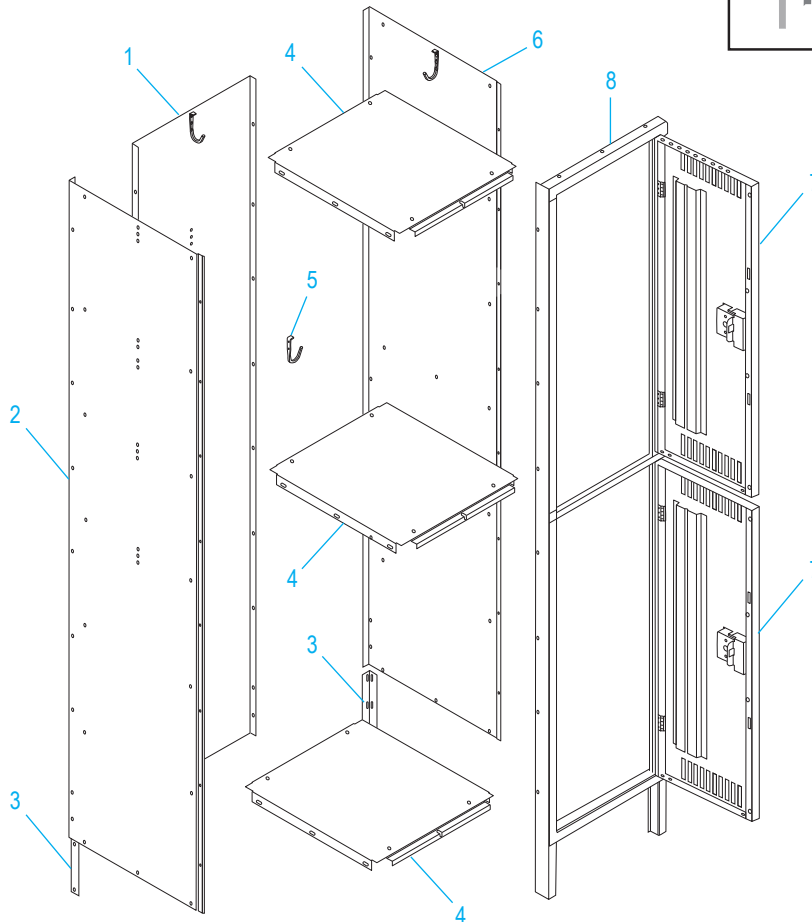
| #  | DESCRIPTION                                 | QTY. | ULINE PART NO. | MFG. PART NO. |
|----|---|------|----------------|---------------|
| 9  | Number Plate                                | 6    | -----          | LNP-3         |
| 10 | Push Plug                                   | 12   | H-1224-LLP1    | LPP-1         |
| 11 | Latch and Spring                            | 12   | H-1224-LL3     | LL-3          |
| 12 | Bumper                                      | 12   | H-1224-LB1     | LB-1          |
| 13 | Dart Clip                                   | 12   | H-1224-LDC1    | LDC-1         |
| 14 | Locking Channel                             | 6    | H-1224-14      | LLCA-2        |
| 15 | Lock Receiver                               | 6    | H-1224-LPR2    | LPR-2         |
| 16 | Reinforcement Tab                           | 6    | H-1224-LRT1    | LRT-1         |
| 17 | Recessed Handle                             | 6    | H-1224-LRH2    | LRH-2         |
| 18 | Bolt (#8-32 x 1/2") - Part of Hardware Pack | 144  | H-1224-20      | HW-144        |
| 19 | Nut (#8-32) - Part of Hardware Pack         | 144  | H-1224-20      | HW-144        |
| 20 | Nut Driver                                  | 1    | H-1224-TOOL2   | TOOL-2        |

# ULINE H-5533

## LOCKER DE DOBLE PUERTA TRES DE ANCHO

800-295-5510  
uline.mx

### ENSAMBLE PRINCIPAL



| # | DESCRIPCIÓN                      | CANT. | NO. DE PARTE DE ULINE | NO. DE PARTE DEL FABRICANTE |
|---|----------------------------------|-------|-----------------------|-----------------------------|
| 1 | Parte Posterior – Gris           | 3     | -----                 | LSTB-1572-GRAY              |
| 1 | Parte Posterior – Canela         | 3     | -----                 | LSTB-1572-TAN               |
| 2 | Lateral Izquierdo – Gris         | 2     | -----                 | LSSL-1872-GRAY              |
| 2 | Lateral Izquierdo – Canela       | 2     | H-5529T-LPNL          | LSSL-1872-TAN               |
| 3 | Pata Posterior – Gris            | 4     | H-1393-RLEGS          | LRL-1-GRAY                  |
| 3 | Pata Posterior – Canela          | 4     | H-1227T-LRL1          | LRL-1-TAN                   |
| 4 | Parte Superior/Inferior – Gris   | 9     | H-5533-TPBTM          | LTB-1518-GRAY               |
| 4 | Parte Superior/Inferior – Canela | 9     | -----                 | LTB-1518-TAN                |

**ULINE H-5533**  
**LOCKER DE DOBLE**  
**PUERTA TRES DE ANCHO**

800-295-5510  
 uline.mx

CONTINUACIÓN DE ENSAMBLE PRINCIPAL

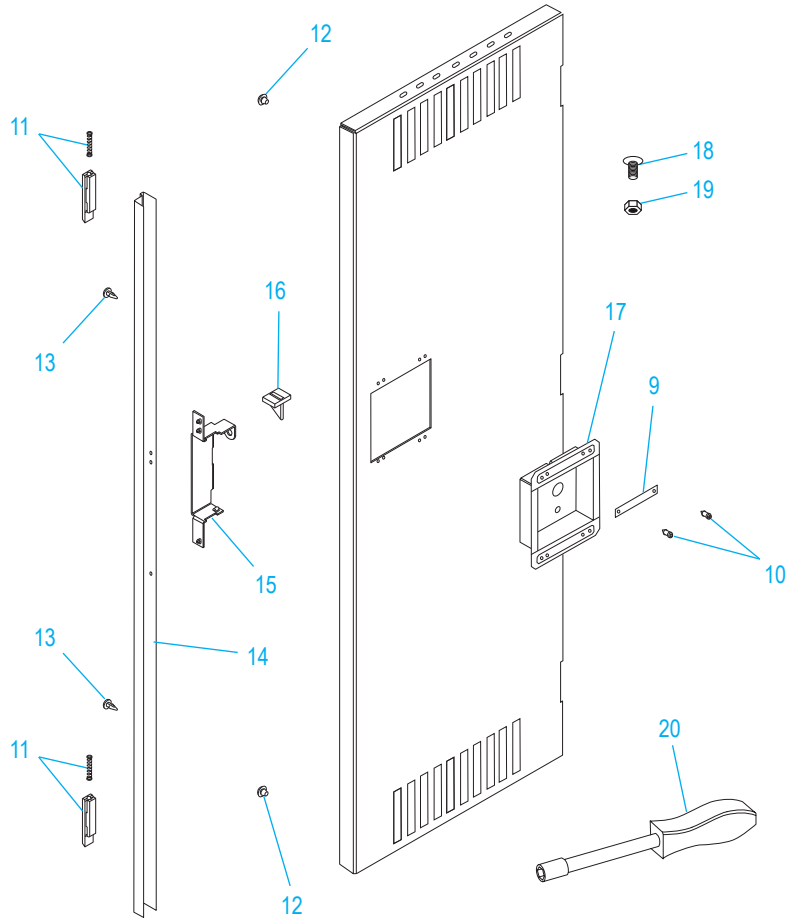
| # | DESCRIPCIÓN                           | CANT. | NO. DE PARTE DE ULINE | NO. DE PARTE DEL FABRICANTE |
|---|---------------------------------------|-------|-----------------------|-----------------------------|
| 5 | Gancho para Prendas                   | 18    | H-1224-LCH1           | LCH-1                       |
| 6 | Lateral Derecho – Gris                | 2     | H-5529GR-RS           | LSSR-1872-GRAY              |
| 6 | Lateral Derecho – Canela              | 2     | -----                 | LSSR-1872-TAN               |
| 7 | Puerta del Locker – Gris              | 6     | -----                 | LDTD-1536-GRAY              |
| 7 | Puerta del Locker – Canela            | 6     | -----                 | LDTD-1536-TAN               |
| 8 | Ensamble del Marco de Puerta – Gris   | 3     | -----                 | LDFA-1572-1GRAY             |
| 8 | Ensamble del Marco de Puerta – Canela | 3     | -----                 | LDFA-1572-1TAN              |

# ULINE H-5533

## LOCKER DE DOBLE PUERTA TRES DE ANCHO

800-295-5510  
uline.mx

### ENSAMBLE DE LA ASA



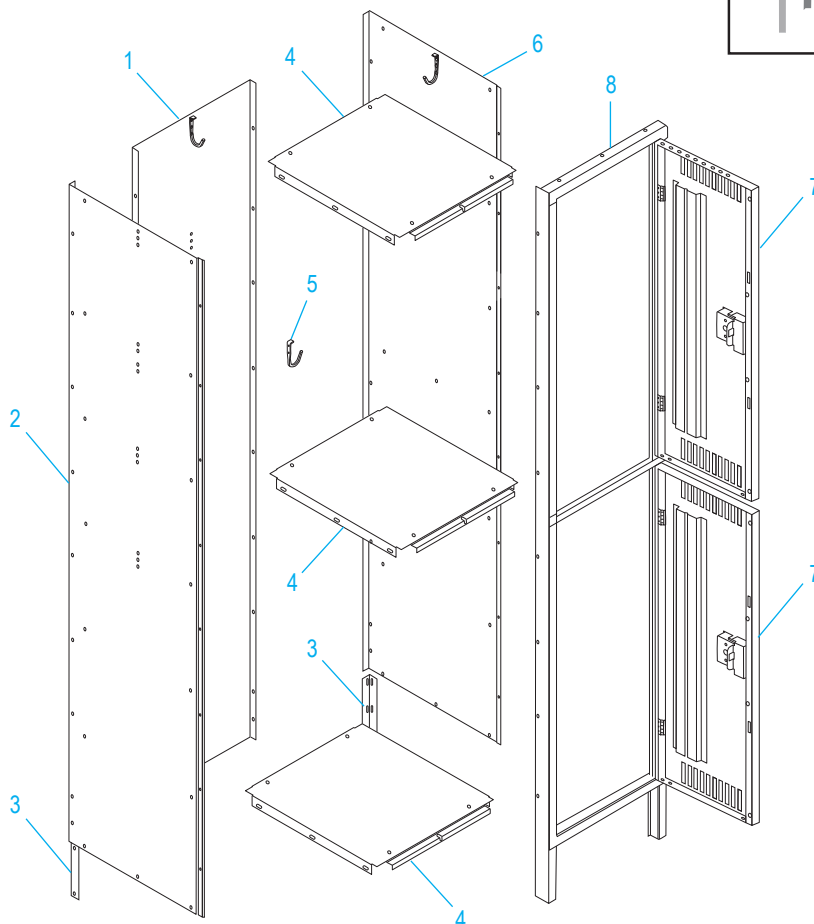
| #  | DESCRIPCIÓN   | CANT. | NO. DE PARTE DE ULINE | NO. DE PARTE DEL FABRICANTE |
|----|---|-------|-----------------------|-----------------------------|
| 9  | Placa del Número  | 6     | -----                 | LNP-3                       |
| 10 | Tapa a Presión  | 12    | H-1224-LLP1           | LPP-1                       |
| 11 | Seguro y Resorte  | 12    | H-1224-LL3            | LL-3                        |
| 12 | Tope  | 12    | H-1224-LB1            | LB-1                        |
| 13 | Remache de Dardo  | 12    | H-1224-LDC1           | LDC-1                       |
| 14 | Marco de Cierre   | 6     | H-1224-14             | LLCA-2                      |
| 15 | Receptor de Cerradura   | 6     | H-1224-LPR2           | LPR-2                       |
| 16 | Pestaña de Refuerzo   | 6     | H-1224-LRT1           | LRT-1                       |
| 17 | Asa Empotrada   | 6     | H-1224-LRH2           | LRH-2                       |
| 18 | Perno (#8-32 x 1/2") - Parte del paquete de accesorios de instalación | 144   | H-1224-20             | HW-144                      |
| 19 | Tuerca (#8-32) - Parte del paquete de accesorios de instalación       | 144   | H-1224-20             | HW-144                      |
| 20 | Desarmador para Tuercas   | 1     | H-1224-TOOL2          | TOOL-2                      |

# ULINE H-5533

## CASIER À DEUX NIVEAUX TROIS DE LARGE

1-800-295-5510  
uline.ca

### MONTAGE PRIMAIRE



| # | DESCRIPTION                   | QTÉ | RÉF. ULINE   | RÉF. DU FABRICANT |
|---|-------------------------------|-----|--------------|-------------------|
| 1 | Arrière – grise               | 3   | -----        | LSTB-1572-GRAY    |
| 1 | Arrière – sable               | 3   | -----        | LSTB-1572-TAN     |
| 2 | Côté gauche – grise           | 2   | -----        | LSSL-1872-GRAY    |
| 2 | Côté gauche – sable           | 2   | H-5529T-LPNL | LSSL-1872-TAN     |
| 3 | Patte arrière – grise         | 4   | H-1393-RLEGS | LRL-1-GRAY        |
| 3 | Patte arrière – sable         | 4   | H-1227T-LRL1 | LRL-1-TAN         |
| 4 | Tablettes du haut/bas – grise | 9   | H-5533-TPBTM | LTB-1518-GRAY     |
| 4 | Tablettes du haut/bas – sable | 9   | -----        | LTB-1518-TAN      |

**ULINE H-5533**  
**CASIER À DEUX NIVEAUX**  
**TROIS DE LARGE**

1-800-295-5510  
uline.ca

MONTAGE PRIMAIRE SUITE

| # | DESCRIPTION                         | QTÉ | RÉF. ULINE  | RÉF. DU FABRICANT |
|---|-------------------------------------|-----|-------------|-------------------|
| 5 | Patère                              | 18  | H-1224-LCH1 | LCH-1             |
| 6 | Côté droit – grise                  | 2   | H-5529GR-RS | LSSR-1872-GRAY    |
| 6 | Côté droit – sable                  | 2   | -----       | LSSR-1872-TAN     |
| 7 | Porte de casier – grise             | 6   | -----       | LDTD-1536-GRAY    |
| 7 | Porte de casier – sable             | 6   | -----       | LDTD-1536-TAN     |
| 8 | Ensemble de cadres de porte – grise | 3   | -----       | LDFA-1572-1GRAY   |
| 8 | Ensemble de cadres de porte – sable | 3   | -----       | LDFA-1572-1TAN    |



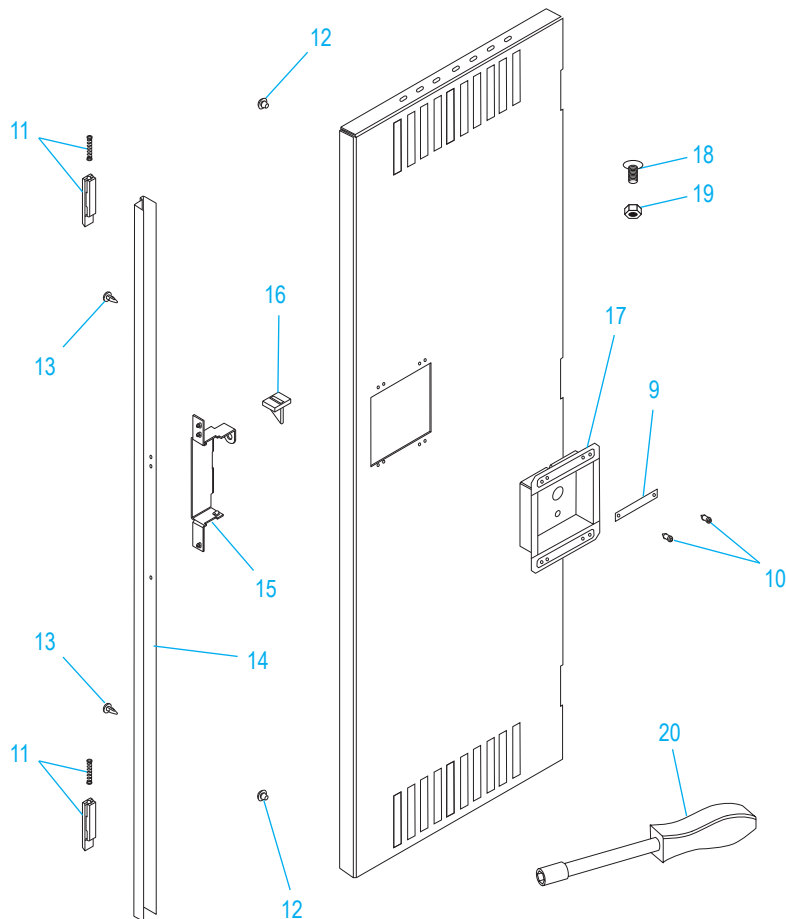
# ULINE H-5533

## CASIER À DEUX NIVEAUX

### TROIS DE LARGE

1-800-295-5510  
uline.ca

#### ENSEMBLE DE POIGNÉE



| #  | DESCRIPTION  | QTÉ | RÉF. ULINE   | RÉF. DU FABRICANT |
|----|--|-----|--------------|-------------------|
| 9  | Plaque numérotée   | 6   | -----        | LNP-3             |
| 10 | Bouchon à pression   | 12  | H-1224-LLP1  | LPP-1             |
| 11 | Verrou et ressort  | 12  | H-1224-LL3   | LL-3              |
| 12 | Butée  | 12  | H-1224-LB1   | LB-1              |
| 13 | Agrafe à fléchette   | 12  | H-1224-LDC1  | LDC-1             |
| 14 | Canal de verrouillage  | 6   | H-1224-14    | LLCA-2            |
| 15 | Récepteur de verrou  | 6   | H-1224-LPR2  | LPR-2             |
| 16 | Onglet de renfort  | 6   | H-1224-LRT1  | LRT-1             |
| 17 | Poignée encastrée  | 6   | H-1224-LRH2  | LRH-2             |
| 18 | Boulon (n° 8-32 x 1/2 po) - Partie de l'ensemble de matériel | 144 | H-1224-20    | HW-144            |
| 19 | Écrou (n° 8-32) - Partie de l'ensemble de matériel           | 144 | H-1224-20    | HW-144            |
| 20 | Tournevis à douille  | 1   | H-1224-TOOL2 | TOOL-2            |