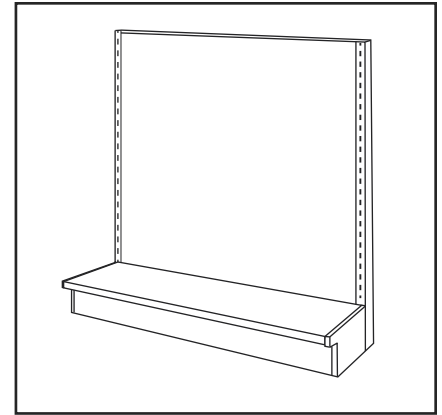


ULINE H-4441BL

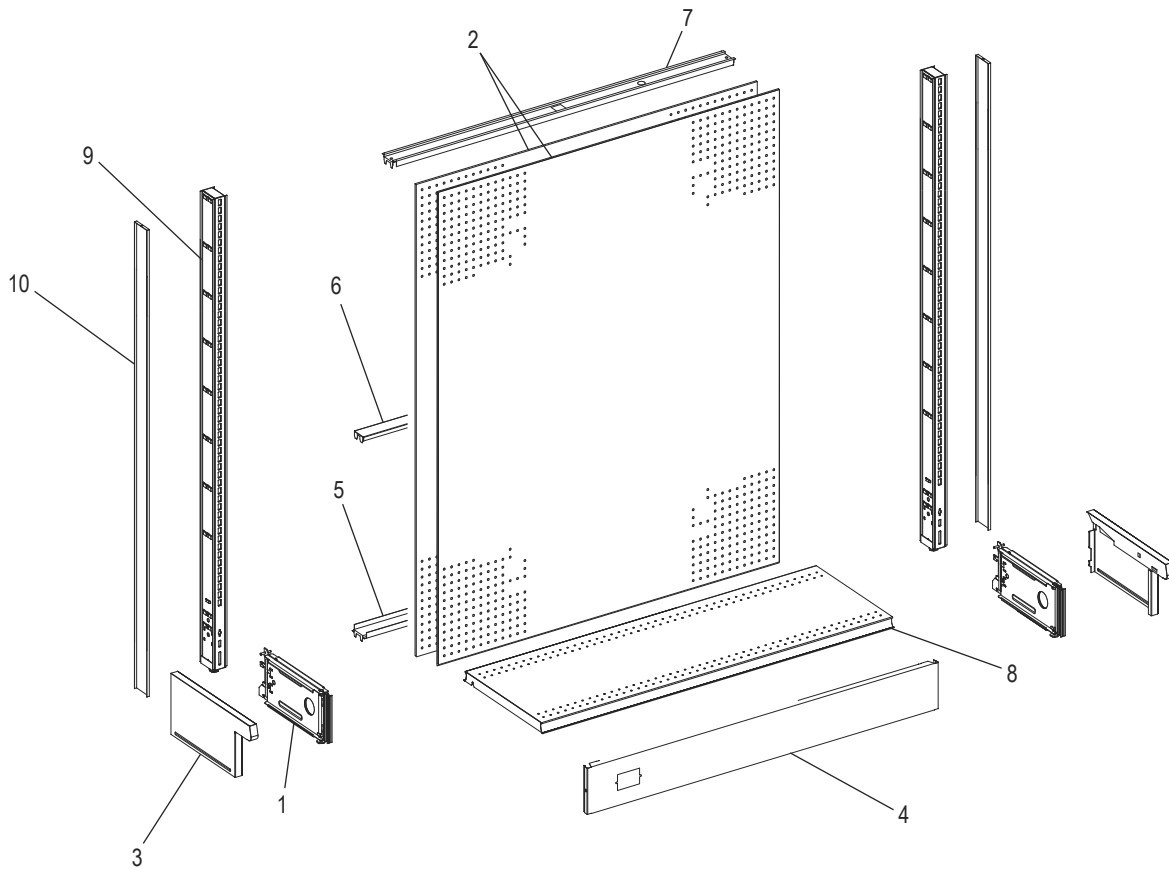
SINGLE-SIDED END CAP

GONDOLA SHELVING

1-800-295-5510
 uline.com



36 x 19 x 54" END CAP

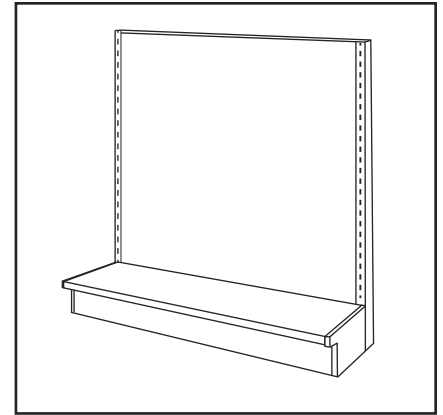


| # | DESCRIPTION | QTY. | ULINE PART NO. | MFG. PART NO. |
|----|-------------------------|------|----------------|---------------|
| 1 | Base Bracket – 16" | 2 | H-3910 | BB1606S.PTD |
| 2 | Back Panel – 36 x 48" | 2 | H-4441-PEGBL | BE348P.CHR |
| 3 | Base End Trim – 16" | 2 | H-3923 | BET1606.CHR |
| 4 | Closed Base Front – 36" | 1 | H-4445 | CBF306.CHR |
| 5 | Bottom Rail – 36" | 1 | H-4446BL | R3B.CHR |
| 6 | Center Rail – 36" | 1 | H-4447 | R3C.N/A |
| 7 | Top Rail – 36" | 1 | H-4448BL | R3T.CHR |
| 8 | Base Deck – 36 x 16" | 1 | H-4444BL | SD316N.CHR |
| 9 | Upright – 54" | 2 | H-3928BL | U54.CHR |
| 10 | Upright End Trim – 54" | 2 | H-3929BL | UET.54.CHR |

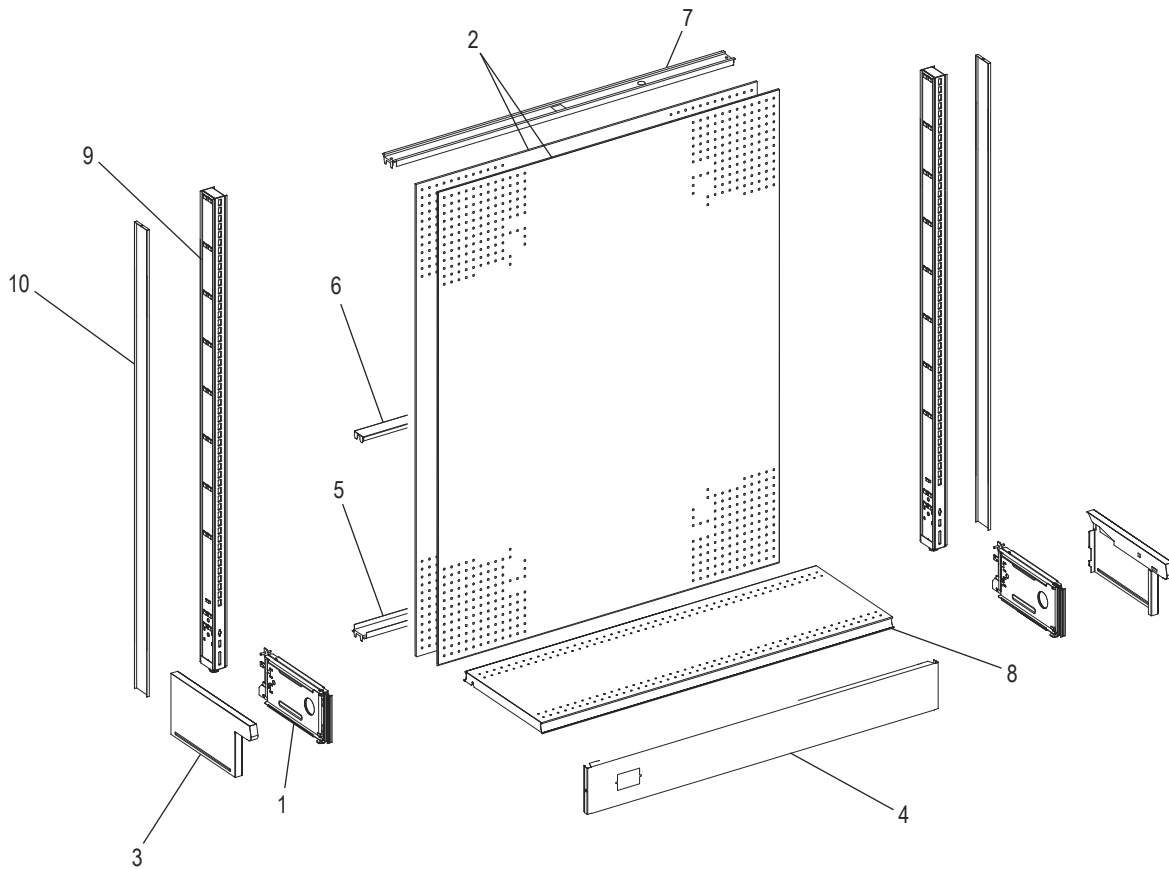
ULINE H-4441BL**CABECERO DE UN LADO PARA ESTANTERÍA GÓNDOLA**

800-295-5510

uline.mx



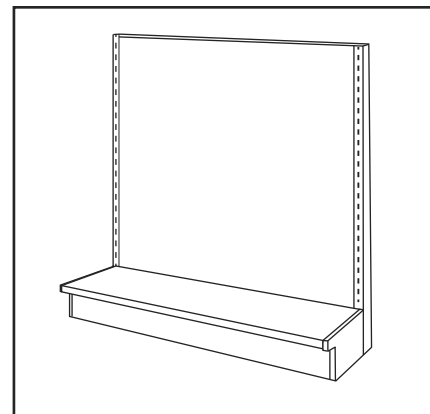
CABECERO DE 91.4 cm x 48.2 cm x 1.4 m (36 x 19 x 54")



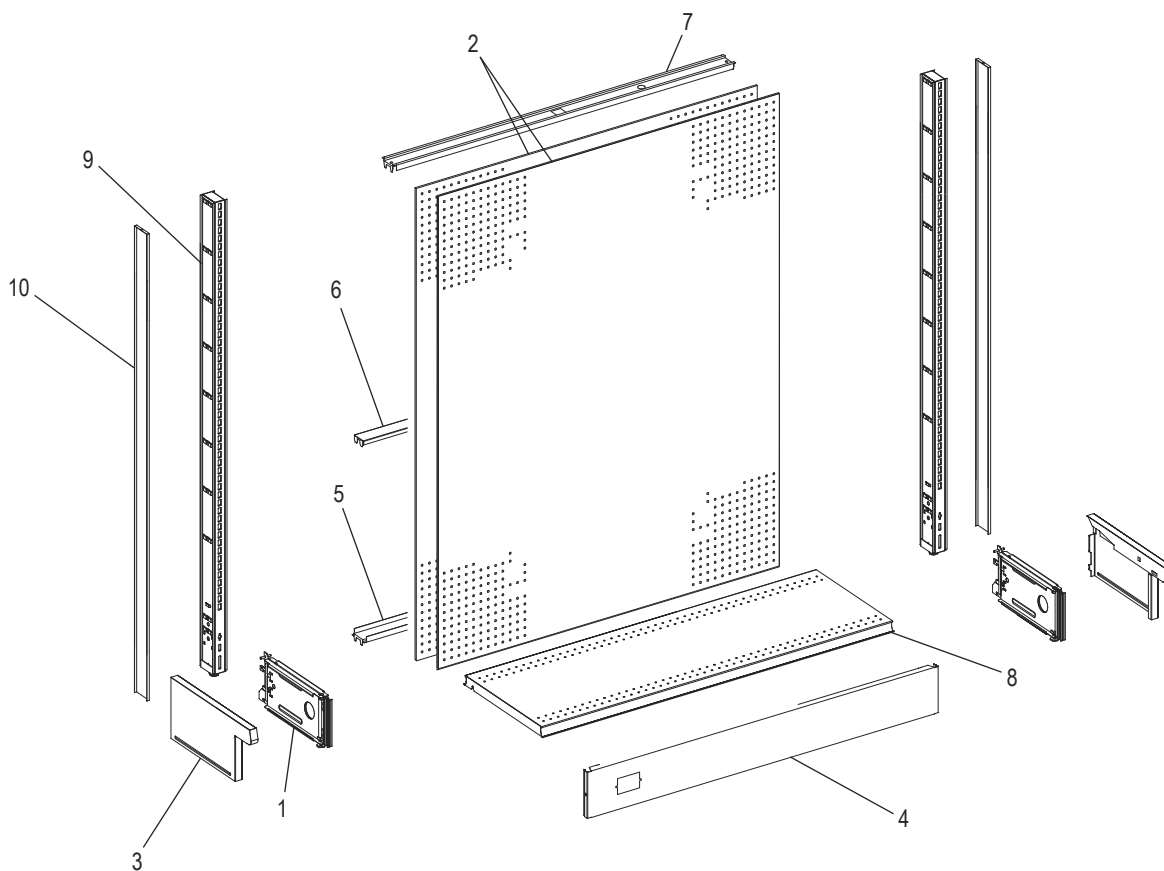
| # | DESCRIPCIÓN | CANT. | NO. DE PARTE DE ULINE | NO. DE PARTE DEL FABRICANTE |
|----|---|-------|-----------------------|-----------------------------|
| 1 | Soporte de la Base – 40 cm (16") | 2 | H-3910 | BB1606S.PTD |
| 2 | Panel Posterior – 91.5 x 122 cm (36 x 48") | 2 | H-4441-PEGBL | BE348P.CHR |
| 3 | Tapa Lateral de Base – 40 cm (16") | 2 | H-3923 | BET1606.CHR |
| 4 | Base Frontal Cerrada – 91.5 cm (36") | 1 | H-4445 | CBF306.CHR |
| 5 | Riel Inferior – 91.5 cm (36") | 1 | H-4446BL | R3B.CHR |
| 6 | Riel Central – 91.5 cm (36") | 1 | H-4447 | R3C.N/A |
| 7 | Riel Superior – 91.5 cm (36") | 1 | H-4448BL | R3T.CHR |
| 8 | Entrepaño de Base – 91.5 x 40 cm (36 x 16") | 1 | H-4444BL | SD316N.CHR |
| 9 | Poste – 137 cm (54") | 2 | H-3928BL | U54.CHR |
| 10 | Tapa para Poste – 137 cm (54") | 2 | H-3929BL | UET.54.CHR |

ULINE H-4441BL
RAYONNAGE GONDOLE
EXTRÉMITÉ À UNE FACE

1-800-295-5510
 uline.ca



EXTRÉMITÉ À UNE FACE DE 91,4 x 48,3 x 137,2 cm (36 x 19 x 54 po)



| # | DESCRIPTION | QTÉ | RÉF. ULINE | RÉF. DU FABRICANT |
|----|--|-----|--------------|-------------------|
| 1 | Support de base – 40 cm (16 po) | 2 | H-3910 | BB1606S.PTD |
| 2 | Panneau arrière – 91,5 x 122 cm (36 x 48 po) | 2 | H-4441-PEGBL | BE348P.CHR |
| 3 | Garniture latérale de la base – 40 cm (16 po) | 2 | H-3923 | BET1606.CHR |
| 4 | Garniture avant de la base – 91,5 cm (36 po) | 1 | H-4445 | CBF306.CHR |
| 5 | Glissière inférieure – 91,5 cm (36 po) | 1 | H-4446BL | R3B.CHR |
| 6 | Glissière centrale – 91,5 cm (36 po) | 1 | H-4447 | R3C.N/A |
| 7 | Glissière supérieure – 91,5 cm (36 po) | 1 | H-4448BL | R3T.CHR |
| 8 | Tablette de base – 91,5 x 40 cm (36 x 16 po) | 1 | H-4444BL | SD316N.CHR |
| 9 | Montant – 137 cm (54 po) | 2 | H-3928BL | U54.CHR |
| 10 | Garniture latérale du montant – 137 cm (54 po) | 2 | H-3929BL | UET.54.CHR |