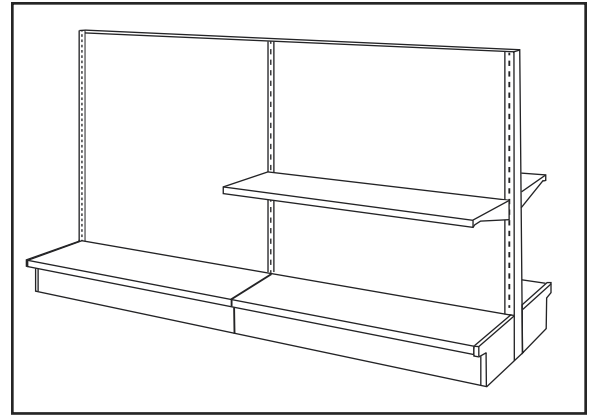


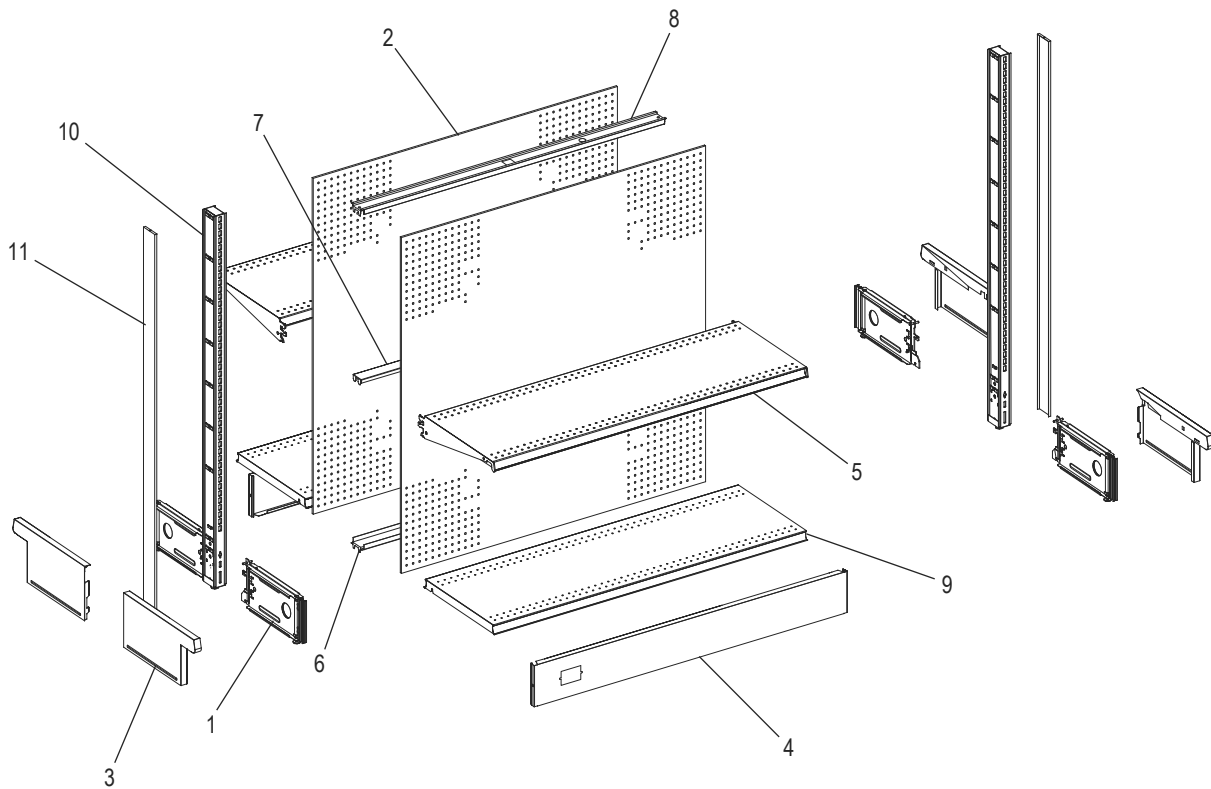
ULINE H-3875PT

DOUBLE-SIDED GONDOLA SHELVING

1-800-295-5510
 uline.com



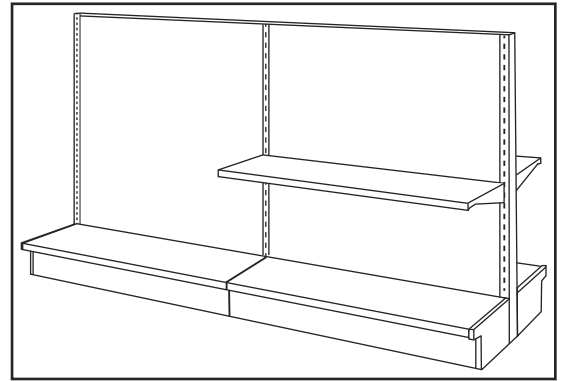
4' ISLAND STARTER



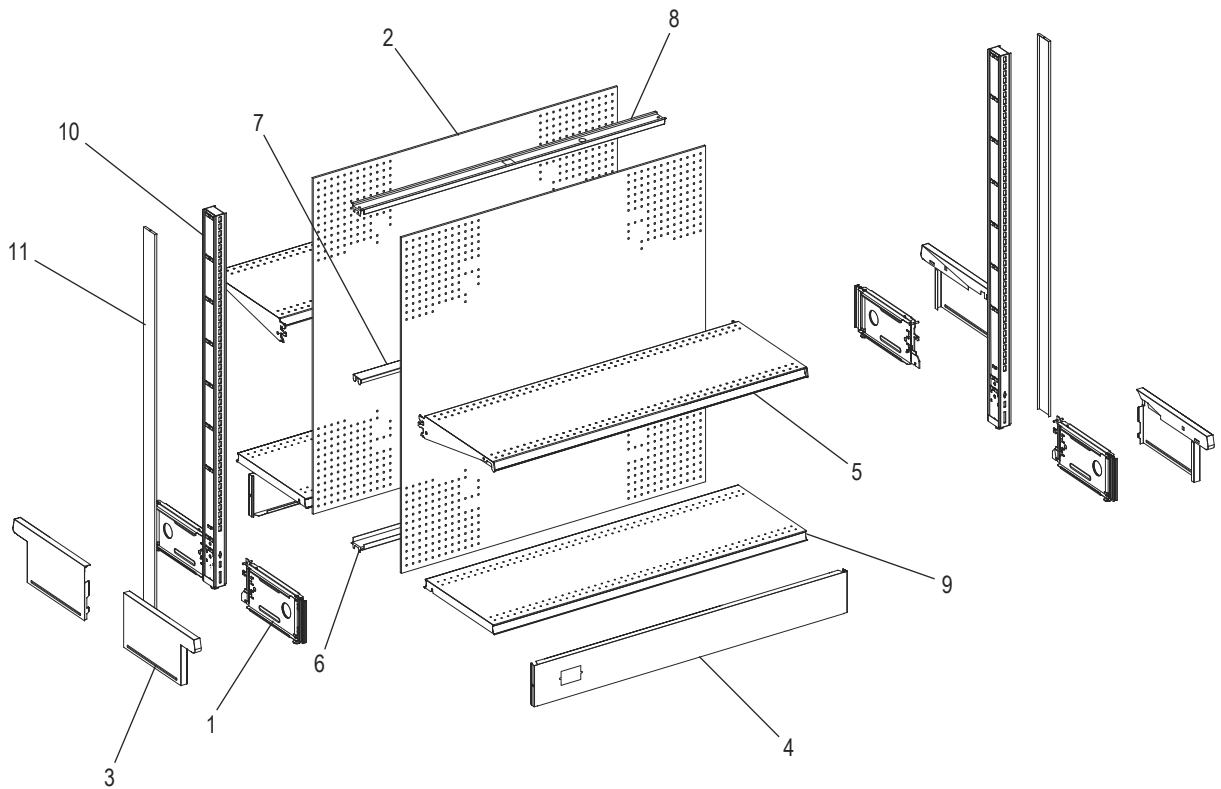
#	DESCRIPTION	QTY.	ULINE PART NO.	MFG. PART NO.
1	Base Bracket – 16"	4	H-3910	BB1606S.PTD
2	Back Panel – 48 x 48"	2	H-3927PT	BE448P.PLT
3	Base End Trim – 16"	4	H-3923	BET1606.CHR
4	Closed Base Front – 48"	2	H-3922	CBF406.CHR
5	Shelf – 48 x 16"	2	H-3877PT	DL416NPLT
6	Bottom Rail – 48"	1	H-3924PT	R4B.PLT
7	Center Rail – 48"	1	H-3925	R4C.N/A
8	Top Rail – 48"	1	H-3926PT	R4T.PLT
9	Base Deck – 48 x 16"	2	H-3921PT	SD416N.PLT
10	Upright – 54"	2	H-3928PT	U54.PLT
11	Upright End Trim – 54"	2	H-3929PT	UET.54.PLT

ULINE H-3875PT
ESTANTERÍA GÓNDOLA
DE DOBLE LADO

800-295-5510
 uline.mx



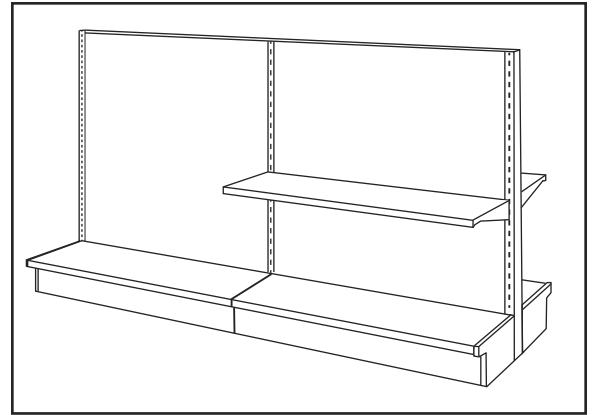
UNIDAD DE ISLA INICIAL DE 4'



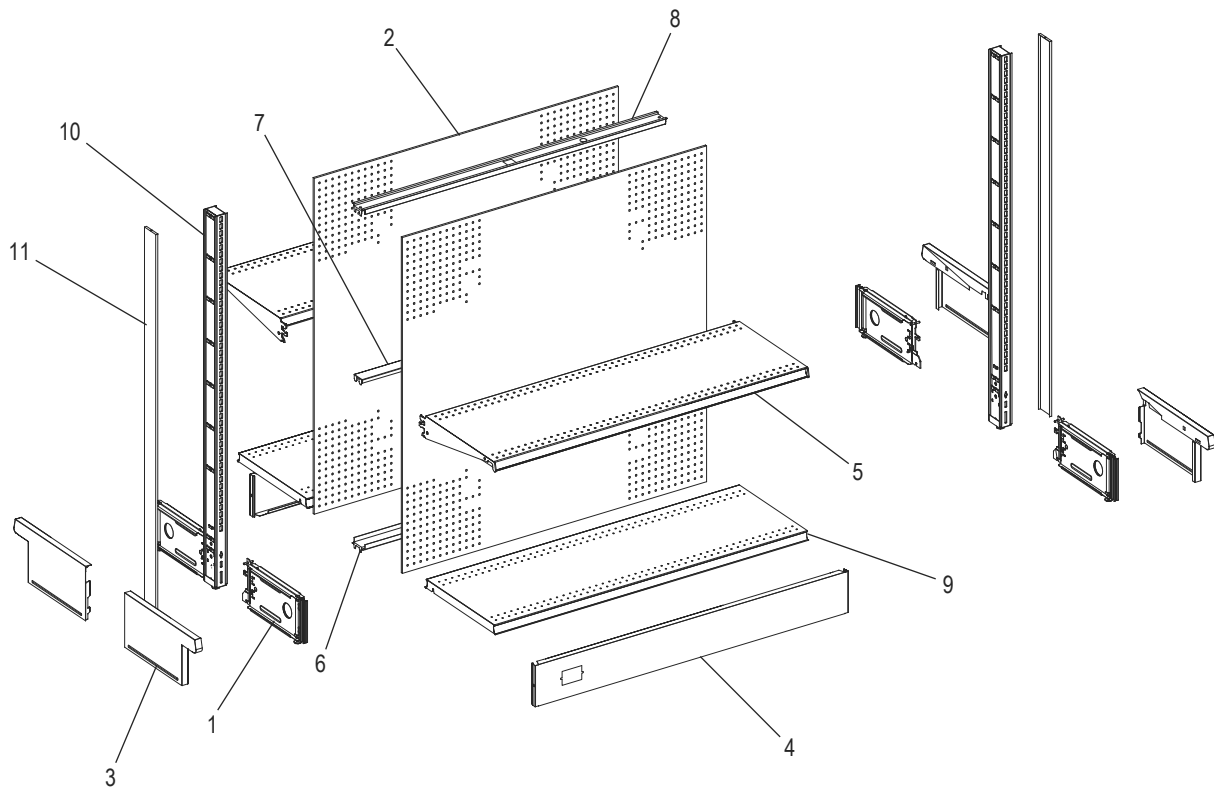
#	DESCRIPCIÓN	CANT.	NO. DE PARTE DE ULINE	NO. DE PARTE DEL FABRICANTE
1	Soporte de la Base 40 cm (16")	4	H-3910	BB1606S.PTD
2	Panel Posterior de 122 x 122 cm (48 x 48")	2	H-3927PT	BE448P.PLT
3	Extremo Lateral para Base 40 cm (16")	4	H-3923	BET1606.CHR
4	Cerramiento para Base Frontal 122 cm (48")	2	H-3922	CBF406.CHR
5	Repisa de 122 x 40 cm (48 x 16")	2	H-3877PT	DL416NPLT
6	Riel Inferior 122 cm (48")	1	H-3924PT	R4B.PLT
7	Riel 122 cm (48")	1	H-3925	R4C.N/A
8	Riel Superior 122 cm (48")	1	H-3926PT	R4T.PLT
9	Plataforma de Base 122 x 40 cm (48 x 16")	2	H-3921PT	SD416N.PLT
10	Poste Vertical de 137 cm (54")	2	H-3928PT	U54.PLT
11	Poste para Extremo Lateral de 137 cm (54")	2	H-3929PT	UET.54.PLT

ULINE H-3875PT
RAYONNAGE GONDOLE
À DEUX FACES

1-800-295-5510
 uline.ca



UNITÉ DE BASE DE 1,2 M (4 PI)



#	DESCRIPTION	QTÉ	RÉF. ULINE	RÉF. DU FABRICANT
1	Support de base – 40,6 cm (16 po)	4	H-3910	BB1606S.PTD
2	Panneau arrière – 122 x 122 cm (48 x 48 po)	2	H-3927PT	BE448P.PLT
3	Garniture latérale de la base – 40,6 cm (16 po)	4	H-3923	BET1606.CHR
4	Garniture avant de la base – 122 cm (48 po)	2	H-3922	CBF406.CHR
5	Tablette – 122 x 40,6 cm (48 x 16 po)	2	H-3877PT	DL416NPLT
6	Glissière inférieure – 122 m (48 po)	1	H-3924PT	R4B.PLT
7	Glissière centrale – 122 cm (48 po)	1	H-3925	R4C.N/A
8	Glissière supérieure – 122 m (48 po)	1	H-3926PT	R4T.PLT
9	Tablette de base – 122 x 40,6 cm (48 x 16 po)	2	H-3921PT	SD416N.PLT
10	Montant – 137 cm (54 po)	2	H-3928PT	U54.PLT
11	Garniture latérale du montant – 137 cm (54 po)	2	H-3929PT	UET.54.PLT