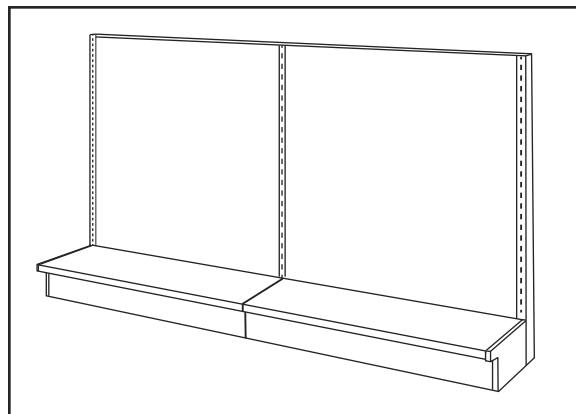
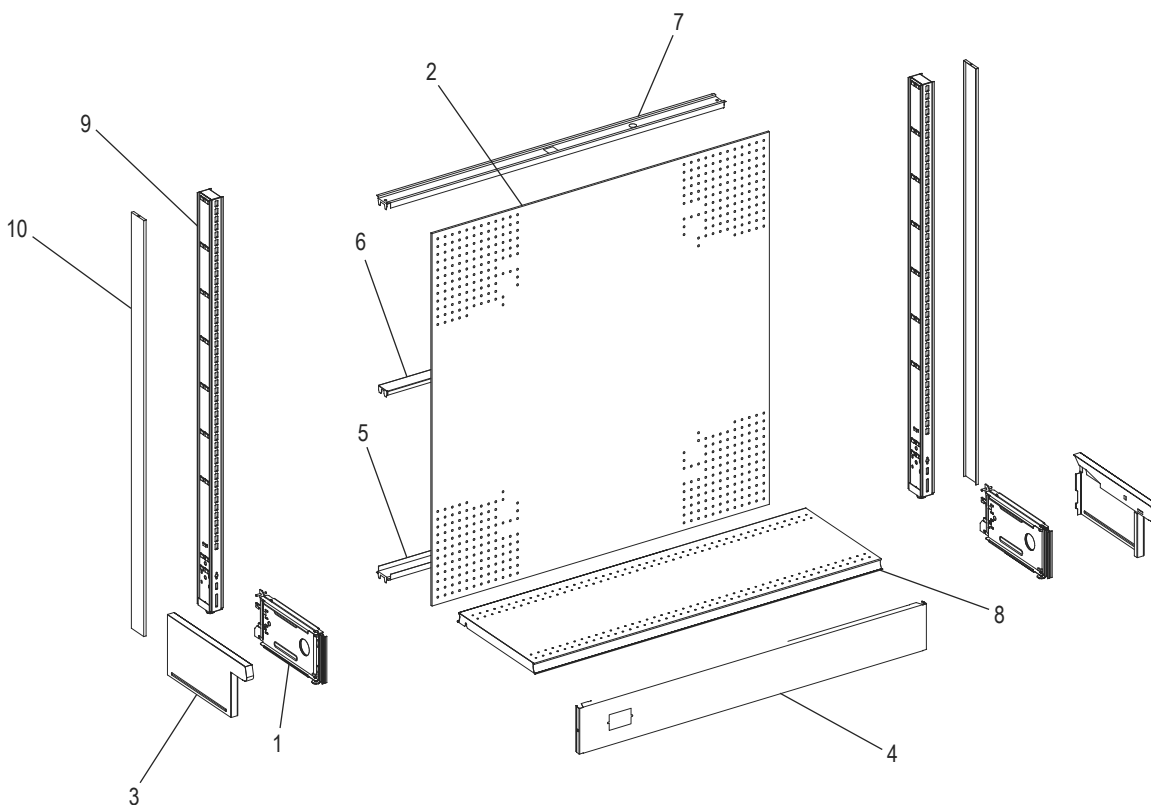


ULINE H-3873 SINGLE-SIDED GONDOLA SHELVING

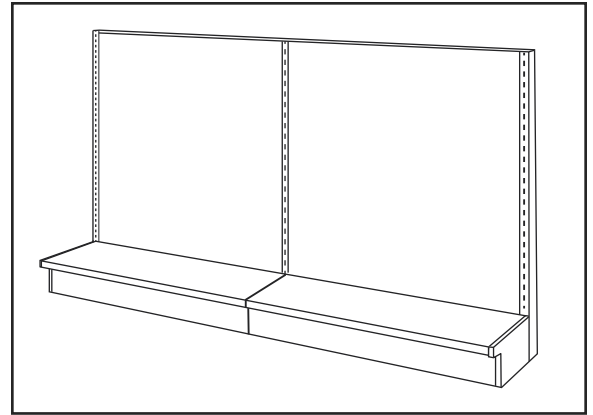
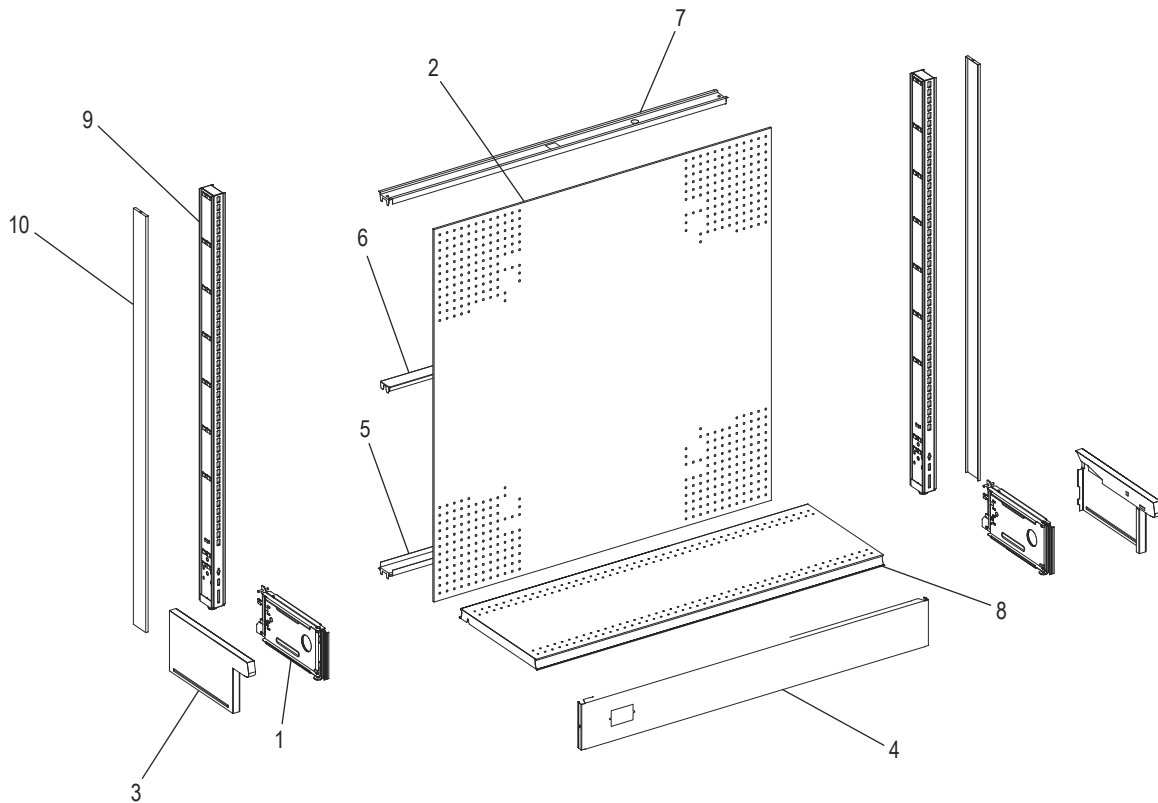
1-800-295-5510
 uline.com



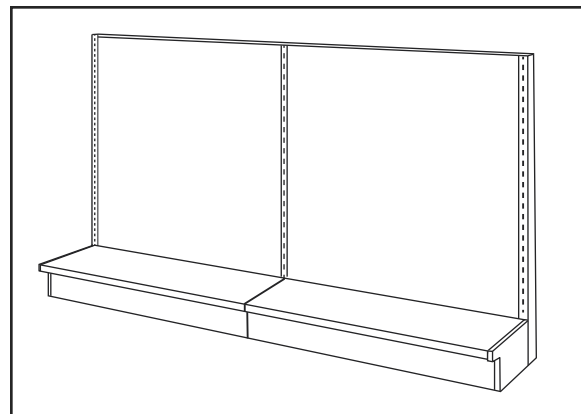
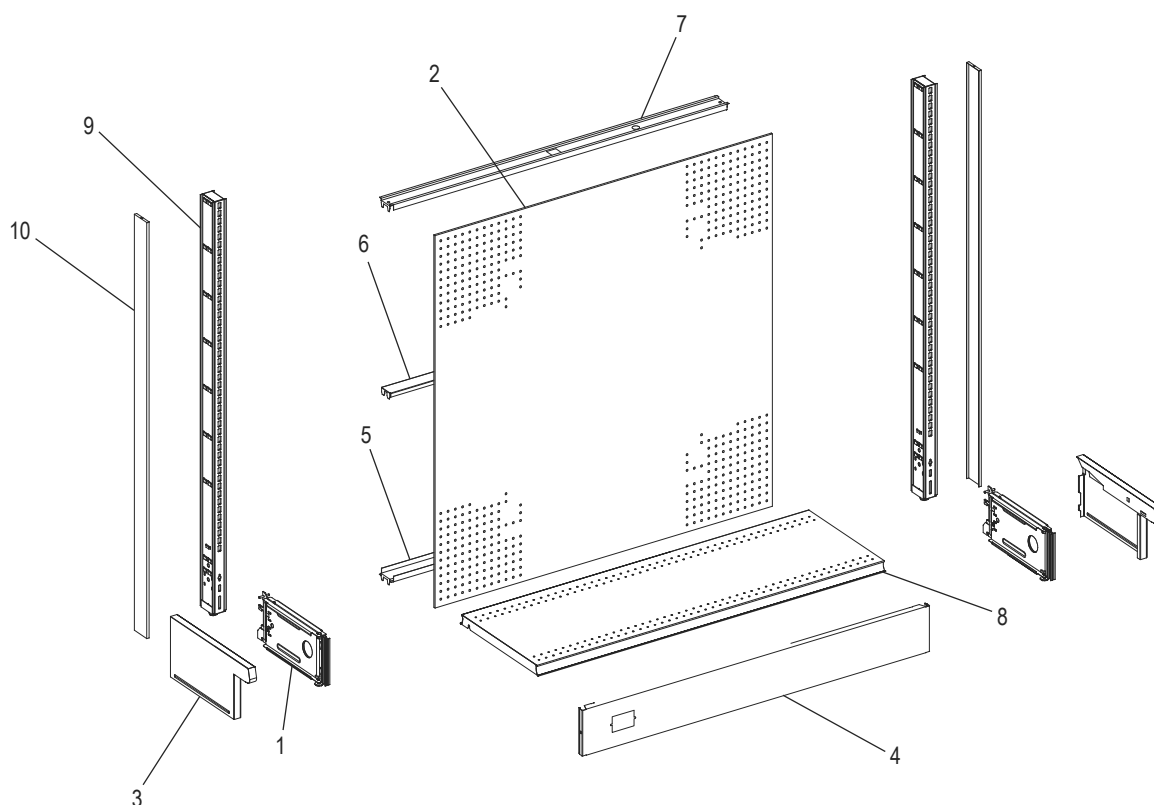
4' WALL STARTER



#	DESCRIPTION	QTY.	ULINE PART NO.	MFG. PART NO.
1	Base Bracket – 16"	2	H-3910	BB1606S.PTD
2	Back Panel – 48 x 48"	1	H-3927PT	BE448P.PLT
3	Base End Trim – 16"	2	H-3923	BET1606.CHR
4	Closed Base Front – 48"	1	H-3922	CBF406.CHR
5	Bottom Rail – 48"	1	H-3924PT	R4B.PLT
6	Center Rail – 48"	1	H-3925	R4C.N/A
7	Top Rail – 48"	1	H-3926PT	R4T.PLT
8	Base Deck – 48 x 16"	1	H-3921PT	SD416N.PLT
9	Upright – 54"	2	H-3928PT	U.54.PLT
10	Upright End Trim – 54"	2	H-3929PT	UET.54.PLT

ULINE H-3873**ESTANTERÍA
GÓNDOLA DE
UN LADO**800-295-5510
uline.mx**UNIDAD DE PARED INICIAL DE 4'**

#	DESCRIPCIÓN	CANT.	NO. DE PARTE DE ULINE	NO. DE PARTE DEL FABRICANTE
1	Soporte de la Base – 40 cm (16")	2	H-3910	BB1606S.PTD
2	Panel Posterior – 122 x 122 cm (48 x 48")	1	H-3927PT	BE448P.PLT
3	Tapa Lateral de Base – 40 cm (16")	2	H-3923	BET1606.CHR
4	Base Frontal Cerrada – 122 cm (48")	1	H-3922	CBF406.CHR
5	Riel Inferior – 122 cm (48")	1	H-3924PT	R4B.PLT
6	Riel Central – 122 cm (48")	1	H-3925	R4C.N/A
7	Riel Superior – 122 cm (48")	1	H-3926PT	R4T.PLT
8	Entrepaña de Base – 122 x 40 cm (48 x 16")	1	H-3921PT	SD416N.PLT
9	Poste – 137 cm (54")	2	H-3928PT	U.54.PLT
10	Tapa para Poste – 137 cm (54")	2	H-3929PT	UET.54.PLT

**RAYONNAGE
GONDOLE À UNE FACE****UNITÉ DE BASE DE 1,2 M (4 PI)**

#	DESCRIPTION	QTÉ	RÉF. ULINE	RÉF. DE FABRICATION
1	Support de base – 40 cm (16 po)	2	H-3910	BB1606S.PTD
2	Panneau arrière – 122 x 122 cm (48 x 48 po)	1	H-3927PT	BE448P.PLT
3	Garniture latérale de la base – 40 cm (16 po)	2	H-3923	BET1606.CHR
4	Garniture avant de la base – 122 cm (48 po)	1	H-3922	CBF406.CHR
5	Glissière inférieure – 122 cm (48 po)	1	H-3924PT	R4B.PLT
6	Glissière centrale – 122 cm (48 po)	1	H-3925	R4C.N/A
7	Glissière supérieure – 122 cm (48 po)	1	H-3926PT	R4T.PLT
8	Tablette de base – 122 x 40 cm (48 x 16 po)	1	H-3921PT	SD416N.PLT
9	Montant – 137 cm (54 po)	2	H-3928PT	U.54.PLT
10	Garniture latérale du montant – 137 cm (54 po)	2	H-3929PT	UET.54.PLT