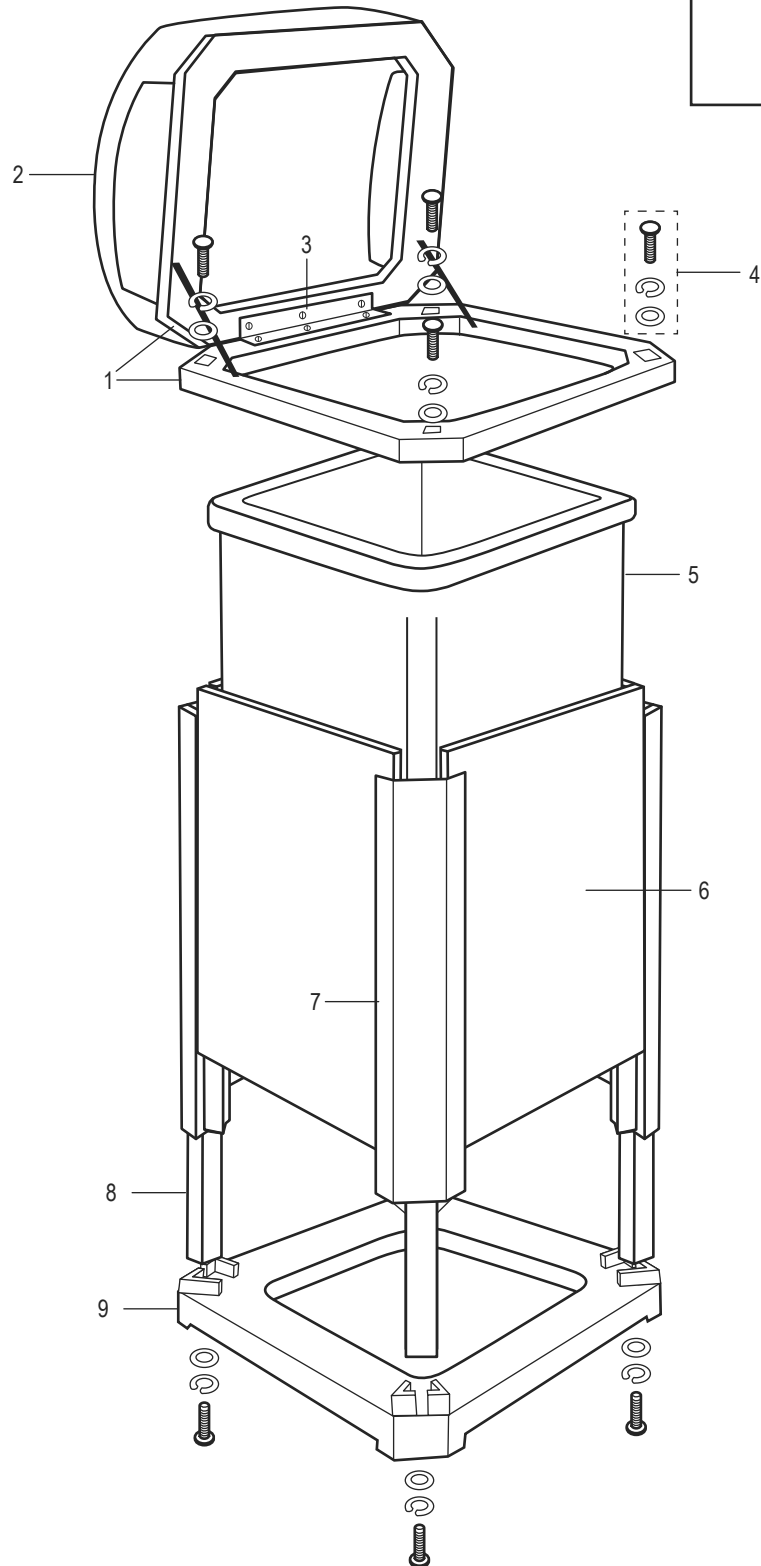
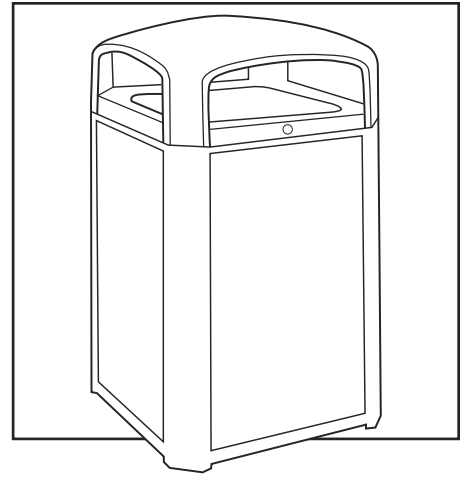


**ULINE H-3570**  
**RUBBERMAID® DOME**  
**TOP RECEPTACLE**

1-800-295-5510  
uline.com

Para Español, vea páginas 3-4.  
Pour le français, consulter les pages 5-6.



**ULINE** H-3570  
**RUBBERMAID® DOME  
TOP RECEPTACLE**

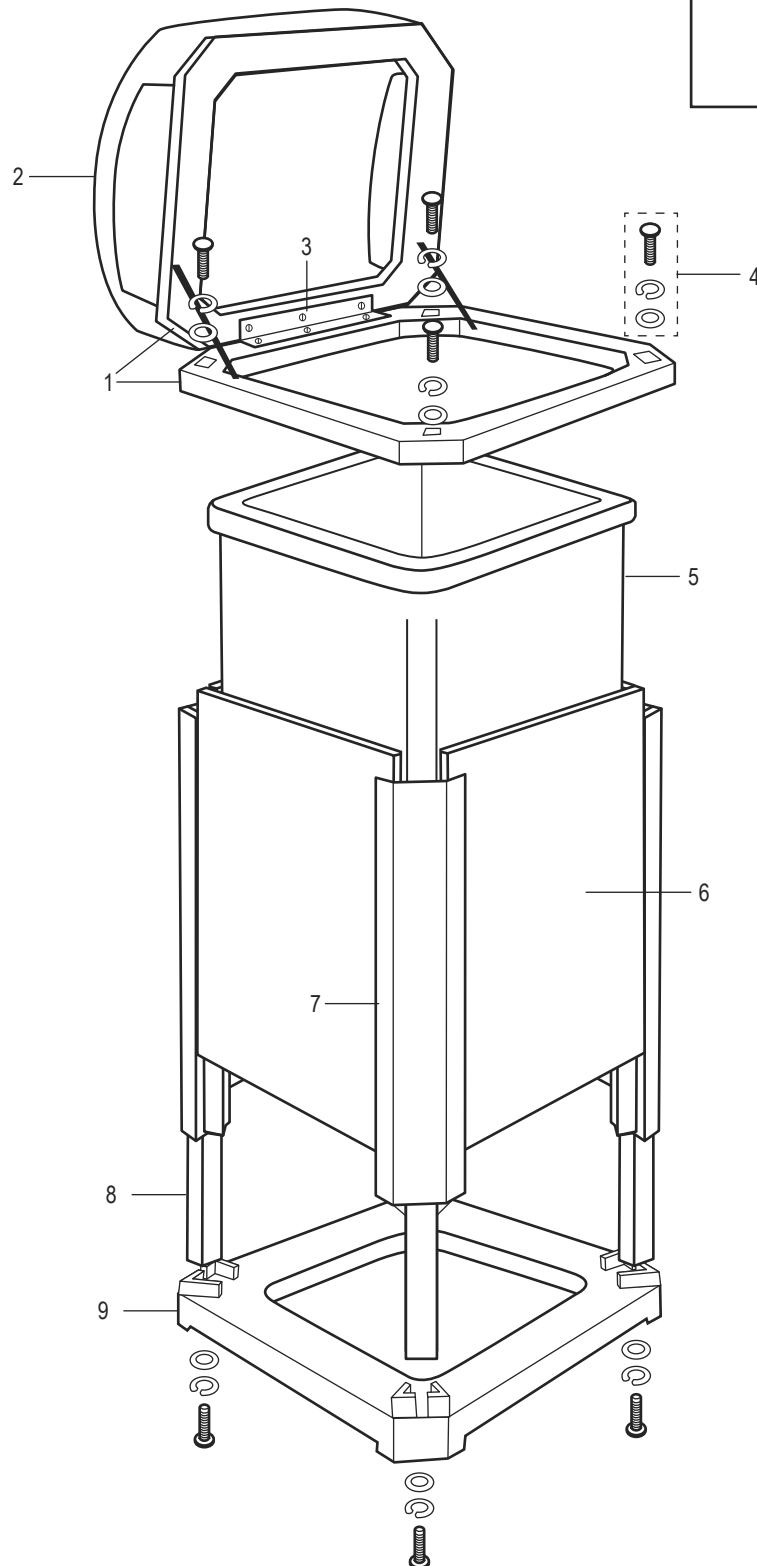
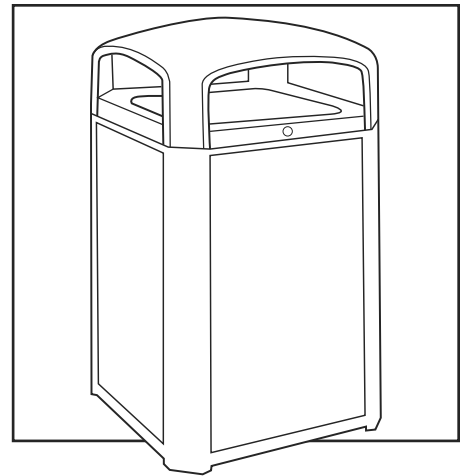
1-800-295-5510  
uline.com

#	DESCRIPTION	QTY.	ULINE PART NO.	MFG. PART NO.
1	Stationary Moving Collar with Hinge – Black	1	-----	FG3975L3BLA
1	Stationary Moving Collar with Hinge – Brown	1	H-1209-MVGNL	FG3975L3SBLE
2	Dome Top – Black	1	-----	FG3975L1BLA
2	Dome Top – Brown	1	H-1209-DOME	FG3975L1SBLE
3	Hinge	1	H-1209-HINGE	FG3975L90000
4	Bolt and Washer Kit	8	H-1209-MPBWW	FG3972L20000
5	Rigid Trash Liner	1	H-1467GR-B	3958 GRAY
6	Side Panel	4	H-3570-SIDE	4003400 ROCK
7	Plastic Leg – Black	4	-----	FG3970L5BLA
7	Plastic Leg – Brown	4	H-5194	FG3970L5SBLE
8	Metal Leg – Black	4	H-5195	FG3970L2BLA
8	Metal Leg – Brown	4	-----	FG3970L2SBLE
9	Base – Black	1	-----	FG3975L2SBLA
9	Base – Brown	1	H-1209BASE	FG3975L2SBLE
	Restraint Strap with Hardware (Not Shown)	1	-----	FG3975L80000
	Lock and Key (Not Shown)	1	H-1209-LOCK	FG3975L40000

**ULINE** H-3570

**RUBBERMAID®  
BOTE DE BASURA CON  
TAPA TIPO DOMO**

800-295-5510  
uline.mx



**ULINE H-3570****RUBBERMAID®****BOTE DE BASURA CON  
TAPA TIPO DOMO**

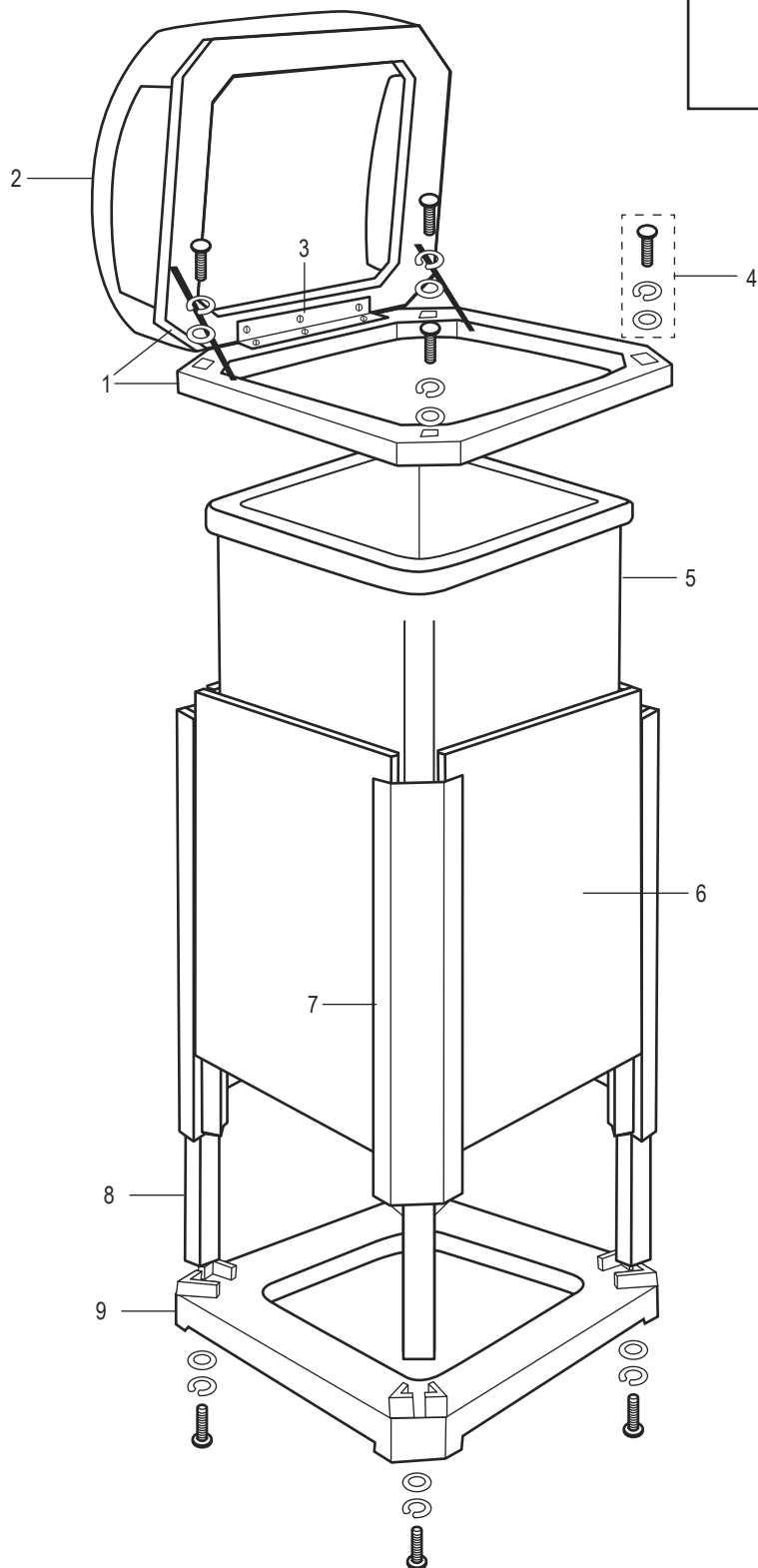
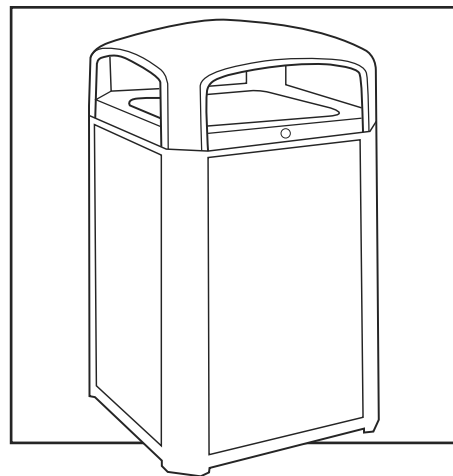
800-295-5510

uline.mx

#	DESCRIPCIÓN	CANT.	NO. DE PARTE DE ULINE	NO. DE PARTE DEL FABRICANTE
1	Collar Fijo Movable con Bisagra – Negro	1	-----	FG3975L3BLA
1	Collar Fijo Movable con Bisagra – Café	1	H-1209-MVGNL	FG3975L3SBLE
2	Tapa Tipo Domo – Negra	1	-----	FG3975L1BLA
2	Tapa Tipo Domo – Café	1	H-1209-DOME	FG3975L1SBLE
3	Bisagra	1	H-1209-HINGE	FG3975L90000
4	Kit de Perno y Rondana	8	H-1209-MPBWW	FG3972L20000
5	Forro Rígido	1	H-1467GR-B	3958 GRAY
6	Panel Lateral	4	H-3570-SIDE	4003400 ROCK
7	Pata de Plástico – Negra	4	-----	FG3970L5BLA
7	Pata de Plástico – Café	4	H-5194	FG3970L5SBLE
8	Pata de Metal – Negra	4	H-5195	FG3970L2BLA
8	Pata de Metal – Café	4	-----	FG3970L2SBLE
9	Base – Negra	1	-----	FG3975L2SBLA
9	Base – Café	1	H-1209BASE	FG3975L2SBLE
	Correa de Sujeción con Tornillería (No Se Muestra)	1	-----	FG3975L80000
	Cerradura y Llave (No Se Muestran)	1	H-1209-LOCK	FG3975L40000

**ULINE H-3570**  
**RUBBERMAID<sup>MD</sup> – RÉCIPIENT**  
**AVEC COUVERCLE DÔME**

1-800-295-5510  
uline.ca



**ULINE H-3570**  
**RUBBERMAID<sup>MD</sup> – RÉCIPIENT**  
**AVEC COUVERCLE DÔME**

1-800-295-5510  
 uline.ca

#	DESCRIPTION	QTÉ	RÉF. ULINE	RÉF. DU FABRICANT
1	Col mobile fixe avec charnière – Noir	1	-----	FG3975L3BLA
1	Col mobile fixe avec charnière – Brun	1	H-1209-MVGNL	FG3975L3SBLE
2	Couvercle dôme – Noir	1	-----	FG3975L1BLA
2	Couvercle dôme – Brun	1	H-1209-DOME	FG3975L1SBLE
3	Charnière	1	H-1209-HINGE	FG3975L90000
4	Ensemble de boulon et de rondelles	8	H-1209-MPBWW	FG3972L20000
5	Doublure rigide	1	H-1467GR-B	3958 GRAY
6	Panneau latéral	4	H-3570-SIDE	4003400 ROCK
7	Patte en plastique – Noir	4	-----	FG3970L5BLA
7	Patte en plastique – Brun	4	H-5194	FG3970L5SBLE
8	Patte en métal – Noir	4	H-5195	FG3970L2BLA
8	Patte en métal – Brun	4	-----	FG3970L2SBLE
9	Socle – Noir	1	-----	FG3975L2SBLA
9	Socle – Brun	1	H-1209BASE	FG3975L2SBLE
	Sangle de fixation avec matériel d'installation (non illustré)	1	-----	FG3975L80000
	Verrou et clé (non illustré)	1	H-1209-LOCK	FG3975L40000