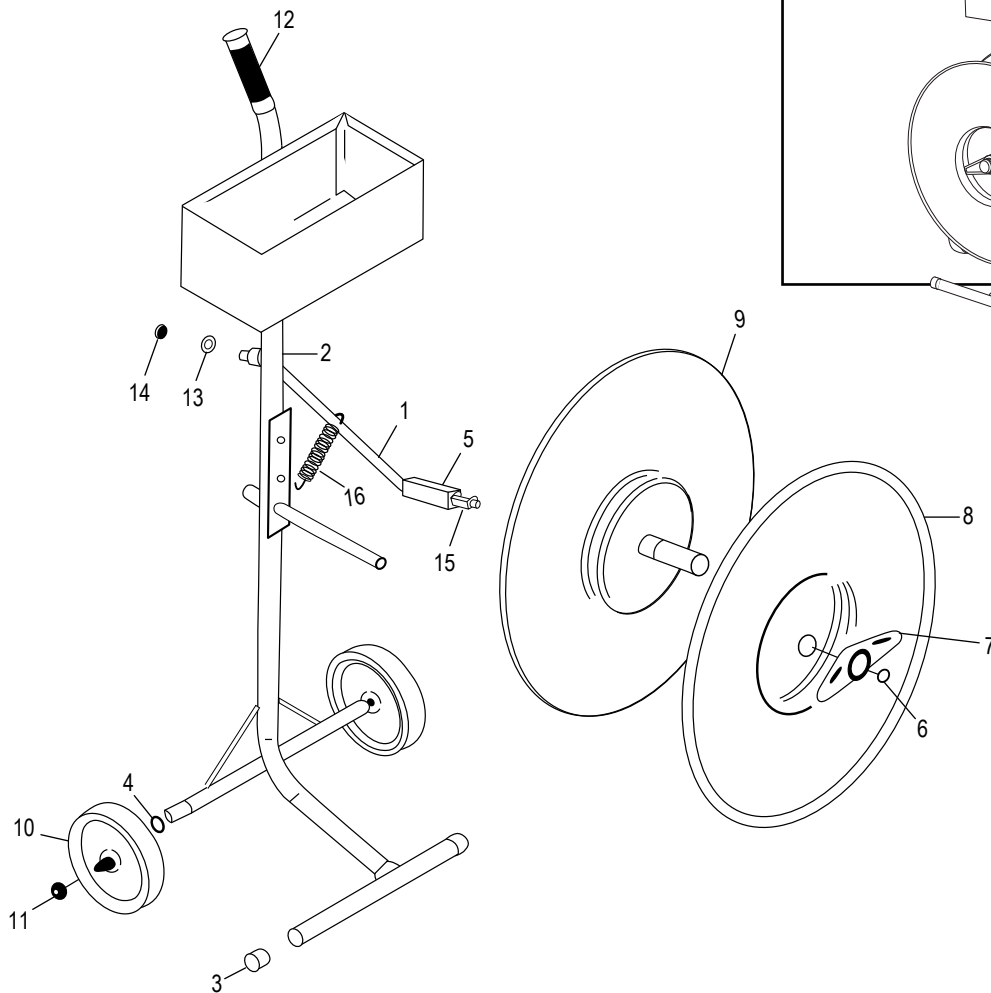


ULINE H-349 POLY STRAPPING CART

1-800-295-5510
 uline.com

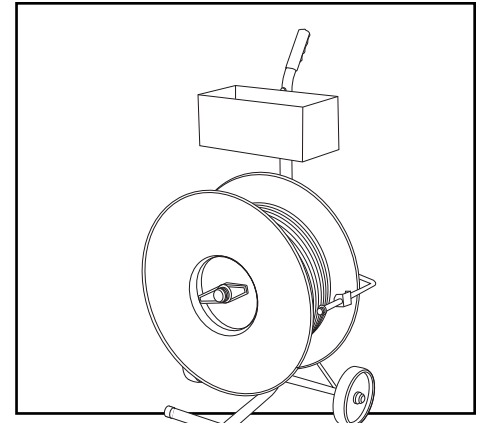
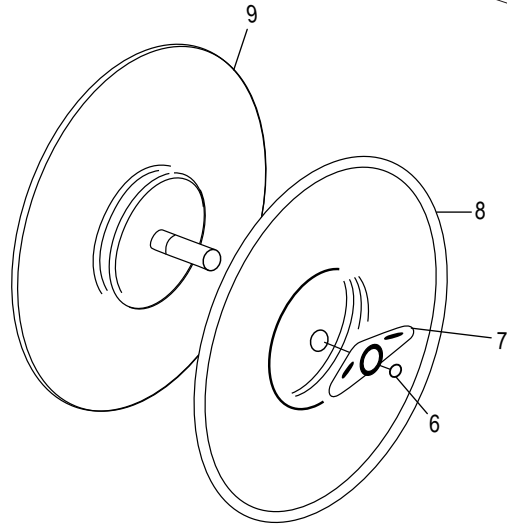
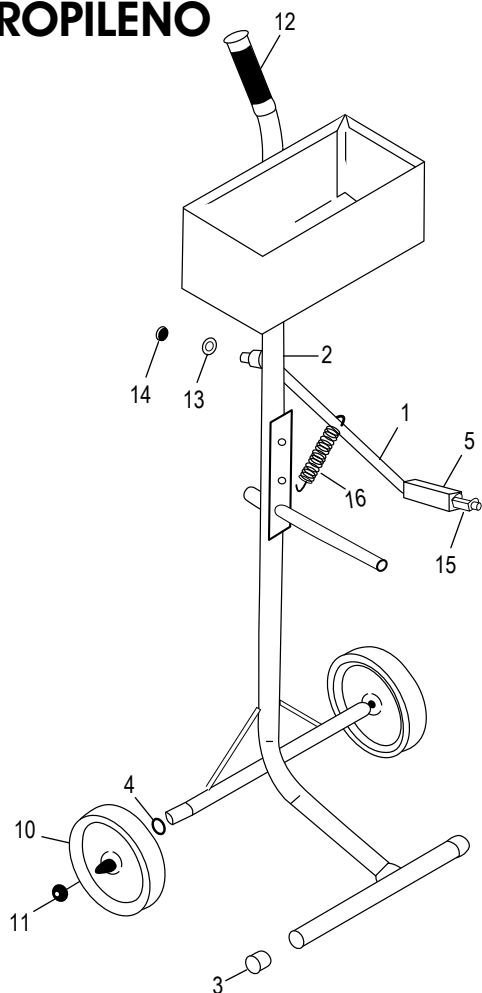


| # | DESCRIPTION | QTY. | ULINE PART NO. | MFG. PART NO. |
|----|--|------|----------------|----------------------|
| 1 | Weldment, Brake Arm | 1 | H-349-1 | M8200-008 |
| 2 | Brake Arm Assembly (Includes 5, 16 and Hardware) | 1 | H-566-BRKARM | M5090-004 |
| 3 | Glide | 2 | H-349-GLIDE | M8000-008 |
| 4 | Spacer | 4 | H-279-12SPCR | M6100-012 |
| 5 | Brake Pad Old (Not Shown) | 1 | H-566-BRKPAD | M5100-009 |
| 5 | Brake Pad | 1 | H-39-BRKPD | M5200-002A |
| 6 | Retaining Ring | 1 | H-566TRUARC | M5200-007 |
| 7 | Spin Nut | 1 | H-39-WINGNUT | M5200-006 |
| 8 | Front Disc | 1 | H-349-7 | M8200-001 |
| 9 | Rear Disc Weldment | 1 | H-349-8 | M8200-005 |
| 10 | Wheel Assembly (Includes Palnut) | 2 | H-349WHEEL | M8000-006, M6100-010 |
| 11 | Palnut | 2 | H-279PALNUTS | M6100-010 |
| 12 | Grip | 1 | H-1624-9 | M5100-016 |
| 13 | Washer | 1 | H-39-15 | M5200-015 |
| 14 | Locknut | 1 | H-39-LOCKNUT | M5200-003 |
| 15 | Strap Guide | 1 | H-39-13 | M5200-008 |

ULINE H-349

CARRITO PARA FLEJE DE POLIPROPILENO

800-295-5510
uline.mx

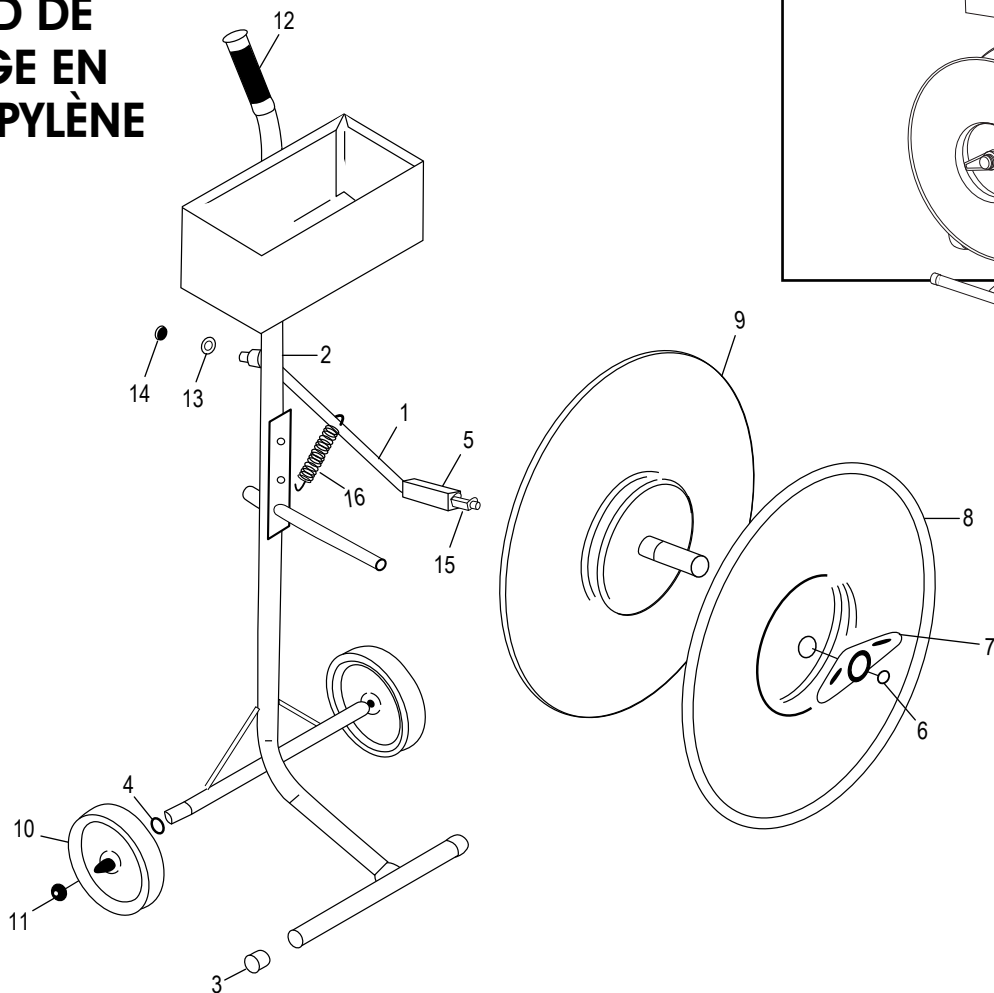


| # | DESCRIPCIÓN | CANT. | NO. DE PARTE DE ULINE | NO. DE PARTE DEL FABRICANTE |
|----|---|-------|-----------------------|-----------------------------|
| 1 | Soldadura, Brazo de Freno | 1 | H-349-1 | M8200-008 |
| 2 | Ensamble del Brazo de Freno (Incluye 5, 16 y Tornillería) | 1 | H-566-BRKARM | M5090-004 |
| 3 | Deslizador | 2 | H-349-GLIDE | M8000-008 |
| 4 | Separador | 4 | H-279-12SPCR | M6100-012 |
| 5 | Pastilla de Freno Antigua (No se Muestra) | 1 | H-566-BRKPAD | M5100-009 |
| 5 | Pastilla de Freno | 1 | H-39-BRKPD | M5200-002A |
| 6 | Anillo Retenedor | 1 | H-566TRUARC | M5200-007 |
| 7 | Tuerca Giratoria | 1 | H-39-WINGNUT | M5200-006 |
| 8 | Disco Frontal | 1 | H-349-7 | M8200-001 |
| 9 | Soldadura del Disco Posterior | 1 | H-349-8 | M8200-005 |
| 10 | Ensamble de la Llanta (Incluye Tuerca Palnut) | 2 | H-349WHEEL | M8000-006, M6100-010 |
| 11 | Tuerca Palnut | 2 | H-279PALNUTS | M6100-010 |
| 12 | Asa | 1 | H-1624-9 | M5100-016 |
| 13 | Rondana | 1 | H-39-15 | M5200-015 |
| 14 | Tuerca de Seguridad | 1 | H-39-LOCKNUT | M5200-003 |
| 15 | Guía de Correa | 1 | H-39-13 | M5200-008 |

ULINE H-349

CHARIOT POUR FEUILLARD DE CERCLAGE EN POLYPROPYLÈNE

1-800-295-5510
uline.ca



| # | DESCRIPTION | QTÉ | RÉF. ULINE | RÉF. DU FABRICANT |
|----|---|-----|--------------|----------------------|
| 1 | Levier de frein | 1 | H-349-1 | M8200-008 |
| 2 | Assemblage du levier de frein (comprend 5, 16 et quincaillerie) | 1 | H-566-BRKARM | M5090-004 |
| 3 | Bague de glissage | 2 | H-349-GLIDE | M8000-008 |
| 4 | Cale d'espacement | 4 | H-279-12SPCR | M6100-012 |
| 5 | Ancienne plaquette de frein (non illustrée) | 1 | H-566-BRKPAD | M5100-009 |
| 5 | Plaquette de frein | 1 | H-39-BRKPD | M5200-002A |
| 6 | Bague de retenue | 1 | H-566TRUARC | M5200-007 |
| 7 | Écrou pivotant | 1 | H-39-WINGNUT | M5200-006 |
| 8 | Disque avant | 1 | H-349-7 | M8200-001 |
| 9 | Assemblage soudé du disque arrière | 1 | H-349-8 | M8200-005 |
| 10 | Roue (avec écrou de blocage) | 2 | H-349WHEEL | M8000-006, M6100-010 |
| 11 | Écrou de blocage | 2 | H-279PALNUTS | M6100-010 |
| 12 | Poignée | 1 | H-1624-9 | M5100-016 |
| 13 | Rondelle | 1 | H-39-15 | M5200-015 |
| 14 | Écrou freiné | 1 | H-39-LOCKNUT | M5200-003 |
| 15 | Guide de sangle | 1 | H-39-13 | M5200-008 |
| 16 | Ressort avant | 1 | H-39S | M5200-004 |