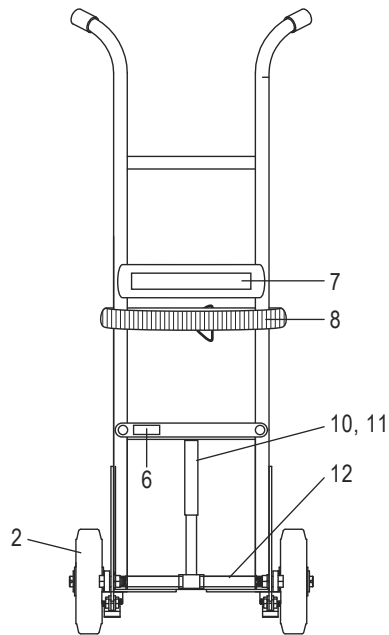
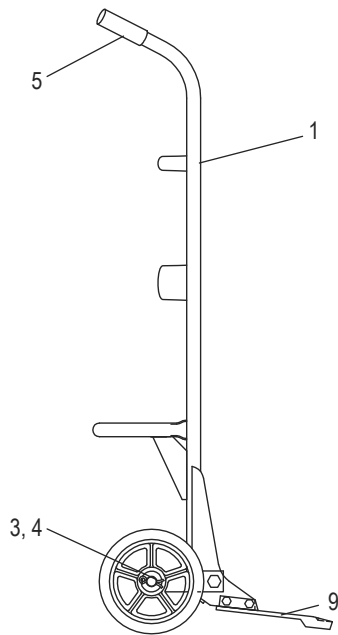
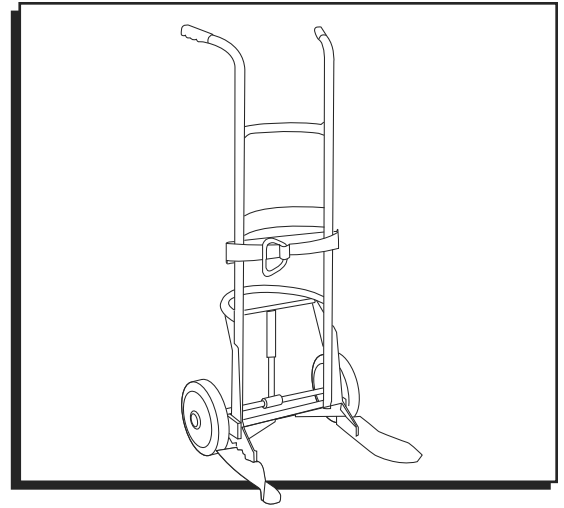


ULINE H-3012 PLASTIC AND FIBER DRUM TRUCK

1-800-295-5510
 uline.com

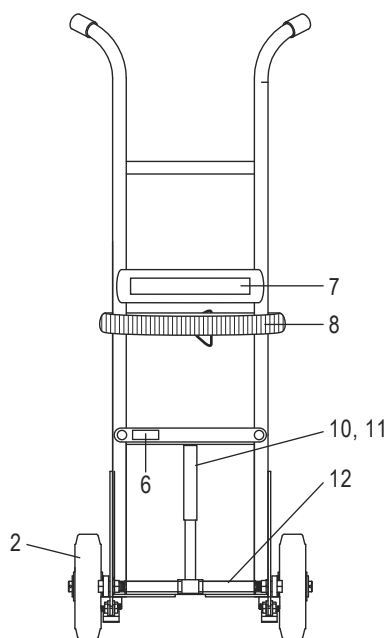
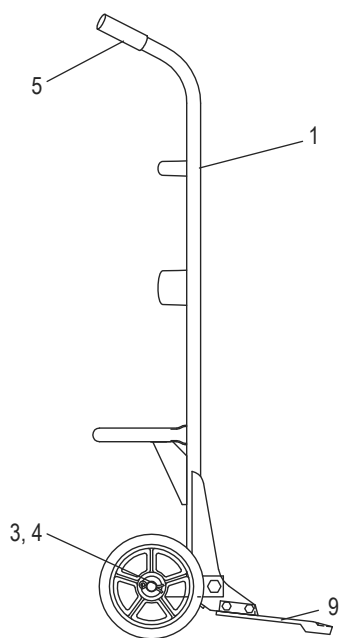
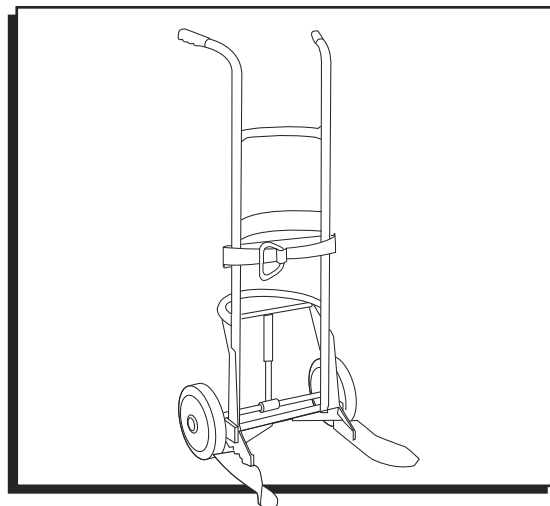


| # | DESCRIPTION | QTY. | ULINE PART NO. | MFG. PART NO. |
|-----|--------------------------------------|------|----------------|---------------|
| 1 | Frame Weldment | 1 | ----- | 051826 |
| 2 | Wheel BT-1, 10 x 2.5 | 2 | H-1233-WHEEL | 150596 |
| 3 | Washer, Flat, 1" SAE | 8 | H-1233-WASHR | 108208 |
| 4 | Cotter Pin 3/16 x 1 1/2" | 2 | H-1233-CP | 108218 |
| 5 | Handgrip, Yellow | 2 | H-1233-GRIP | 108433 |
| 6 | Uline Label | 1 | H-61LBL | 154009 |
| 7 | Warning Label | 1 | ----- | 154024 |
| 8 | Securing Strap | 1 | H-3012-STRAP | 150303 |
| 9 | Nose Prong Set | 1 | H-3012-NOSE | 240115 |
| KIT | Kit: Hardware for Nose Prong | 1 | ----- | 051355 |
| 10 | Axle Spring | 1 | H-1233-AXSPR | 108443 |
| 11 | Upper Spring Housing | 1 | H-1233-TH | 051346 |
| 12 | Floating Axle Assembly | 1 | ----- | 051347 |
| KIT | Kit: Hardware Floating Axle Assembly | 1 | ----- | 051356 |

ULINE H-3012

DIABLITO PARA TAMBOS

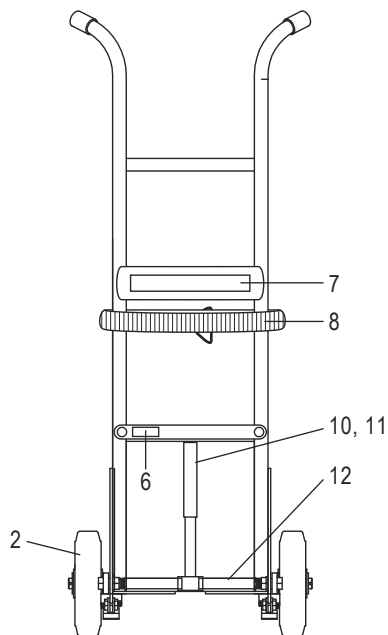
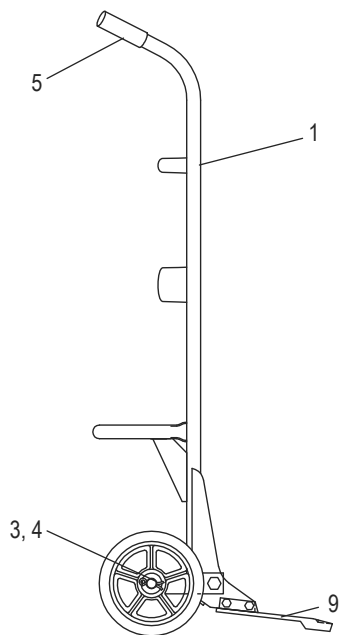
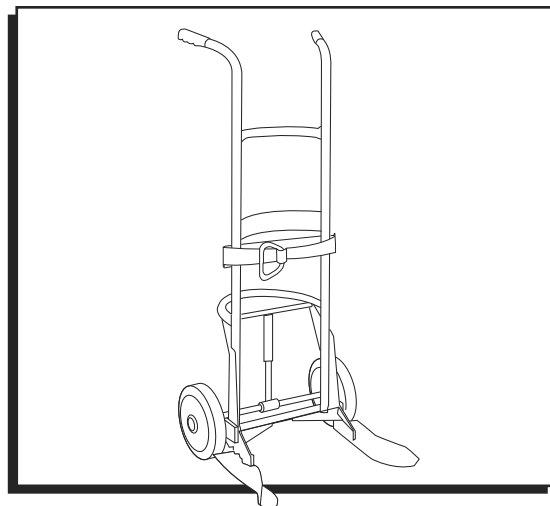
800-295-5510
uline.mx



| # | DESCRIPCIÓN | CANT. | NO. DE PARTE DE ULINE | NO. DE PARTE DEL FABRICANTE |
|-----|---|-------|-----------------------|-----------------------------|
| 1 | Soldadura de la Estructura | 1 | ----- | 051826 |
| 2 | Llanta BT-1, 10 x 2.5 | 2 | H-1233-WHEEL | 150596 |
| 3 | Rondana, Plana, 1" SAE | 8 | H-1233-WASHR | 108208 |
| 4 | Pasador de Chaveta de 3/16 x 1½" | 2 | H-1233-CP | 108218 |
| 5 | Asa, Amarilla | 2 | H-1233-GRIP | 108433 |
| 6 | Etiqueta de Uline | 1 | H-61LBL | 154009 |
| 7 | Etiqueta de Advertencia | 1 | ----- | 154024 |
| 8 | Correa de Sujeción | 1 | H-3012-STRAP | 150303 |
| 9 | Juego de Placa Delantera | 1 | H-1233-NOSE | 240060 |
| KIT | Kit: Accesorios para Placa Delantera | 1 | ----- | 051355 |
| 10 | Resorte del Eje | 1 | H-1233-AXSPR | 108443 |
| 11 | Carcasa del Resorte Superior | 1 | H-1233-TH | 051346 |
| 12 | Ensamble del Eje Flotante | 1 | ----- | 051347 |
| KIT | Kit: Accesorios del Ensamble del Eje Flotante | 1 | ----- | 051356 |

ULINE H-3012
DIABLE POUR BARIL
EN PLASTIQUE OU
EN FIBRE

1-800-295-5510
 uline.ca



| # | DESCRIPTION | QTÉ | RÉF. ULINE | RÉF. DU FABRICANT |
|----------|---|-----|--------------|-------------------|
| 1 | Cadre soudé | 1 | ----- | 051826 |
| 2 | Roue BT-1, 10 x 2,5 | 2 | H-1233-WHEEL | 150596 |
| 3 | Rondelle plate, 1 po SAE | 8 | H-1233-WASHR | 108208 |
| 4 | Goupille fendue, 3/16 x 1 1/2 po | 2 | H-1233-CP | 108218 |
| 5 | Poignée, jaune | 2 | H-1233-GRIP | 108433 |
| 6 | Étiquette Uline | 1 | H-61LBL | 154009 |
| 7 | Étiquette d'avertissement | 1 | ----- | 154024 |
| 8 | Courroie d'arrimage | 1 | H-3012-STRAP | 150303 |
| 9 | Branche de bavette | 1 | H-1233-NOSE | 240060 |
| ENSEMBLE | Ensemble : Matériel pour branche de bavette | 1 | ----- | 051355 |
| 10 | Ressort d'essieu | 1 | H-1233-AXSPR | 108443 |
| 11 | Boîtier de ressort supérieur | 1 | H-1233-TH | 051346 |
| 12 | Essieu flottant | 1 | ----- | 051347 |
| ENSEMBLE | Ensemble : Matériel pour essieu flottant | 1 | ----- | 051356 |