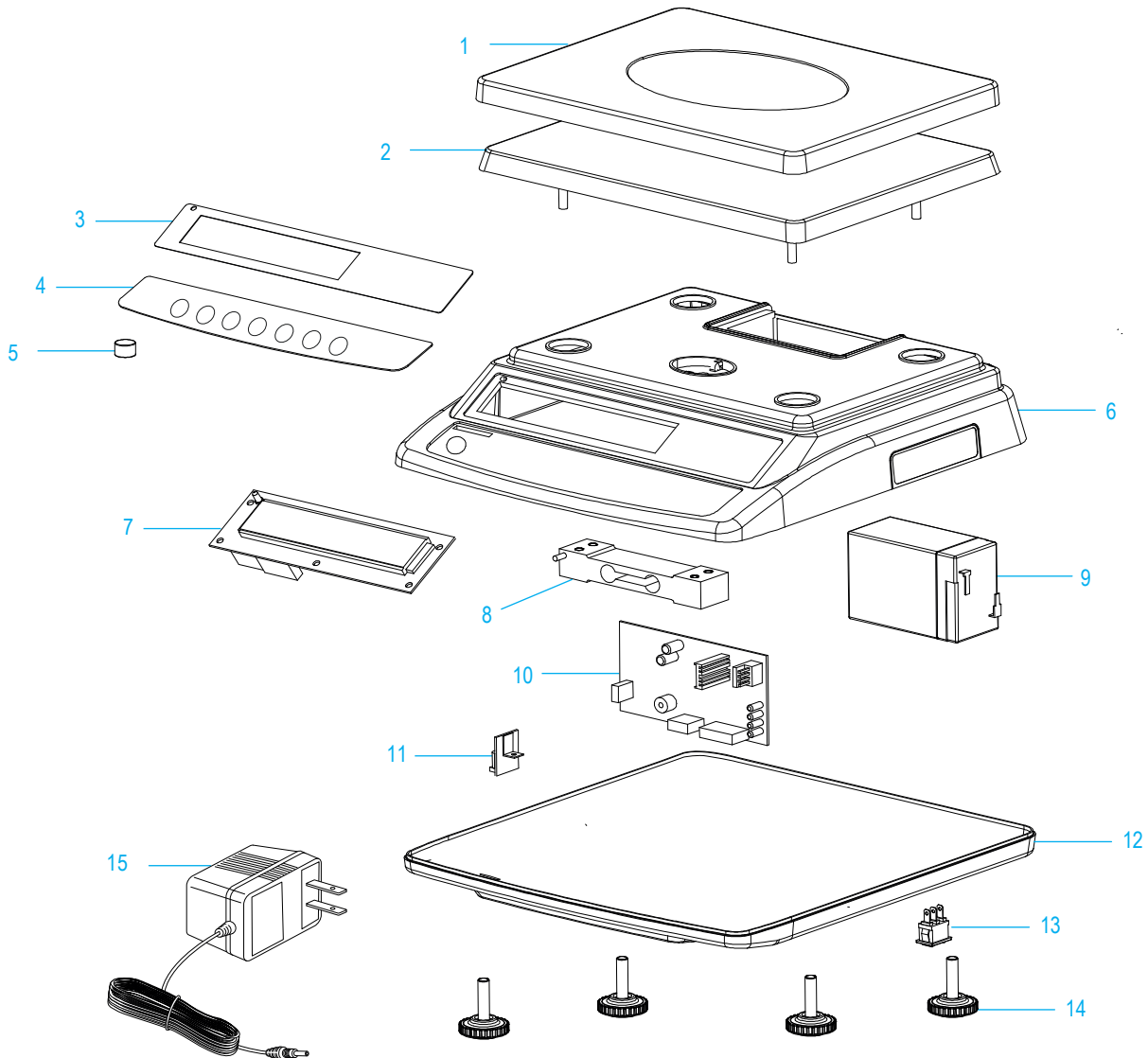
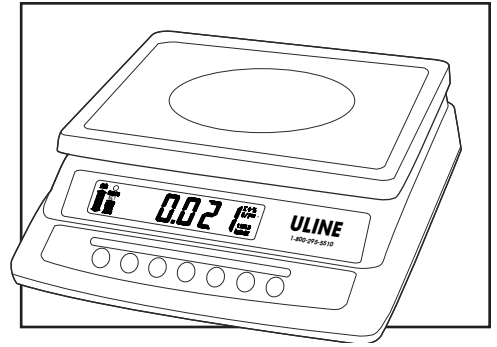


**ULINE** H-1649, H-1650, H-1651  
H-1653, H-1654  
**EASY-COUNT SCALES**

1-800-295-5510  
uline.com

Para Español, vea páginas 3-4.  
Pour le français, consulter les pages 5-6.





H-1649, H-1650, H-1651  
H-1653, H-1654

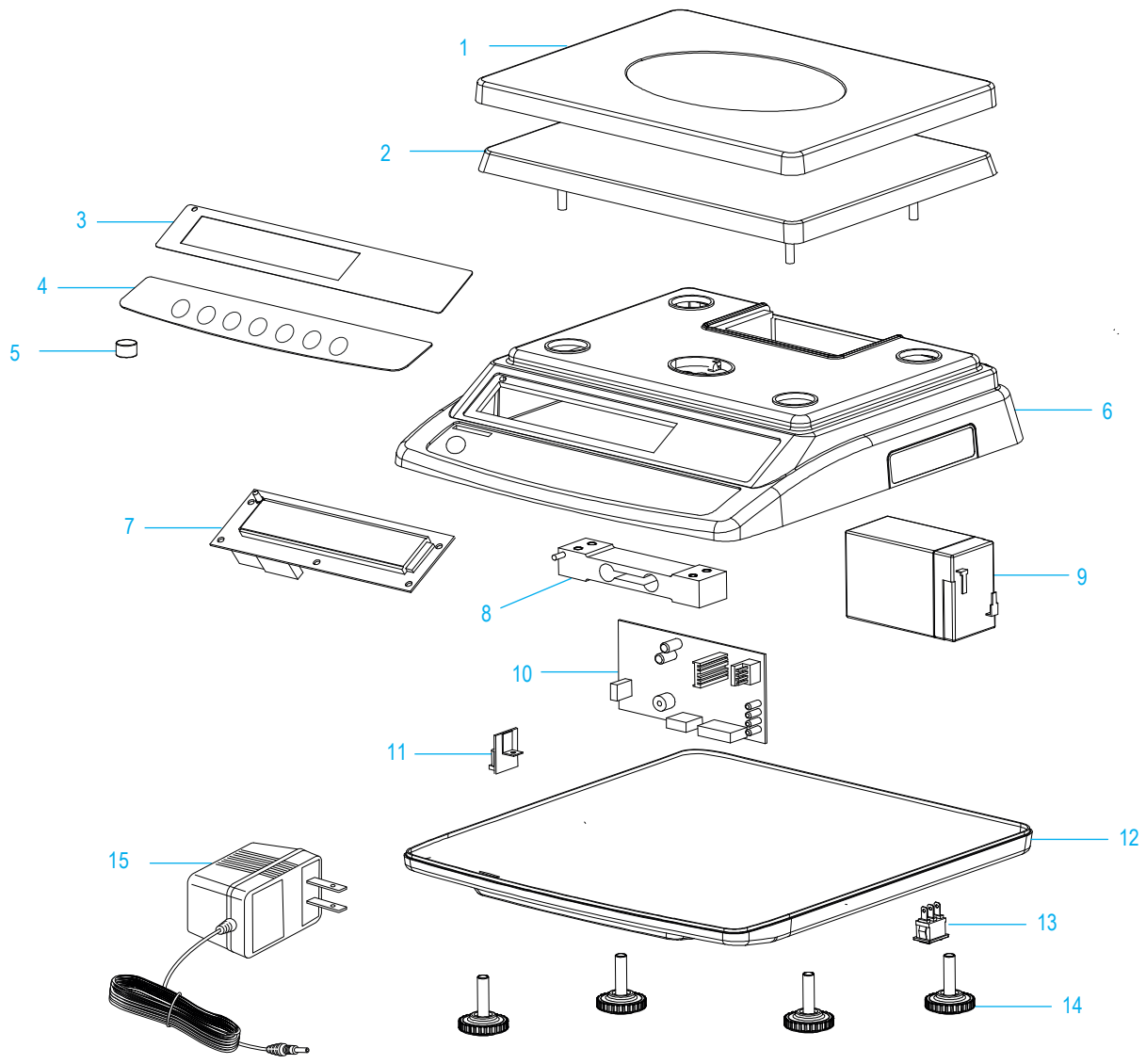
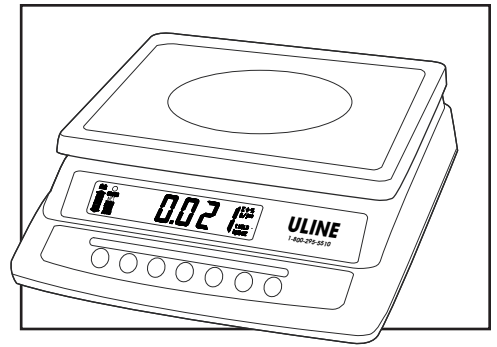
**EASY-COUNT SCALES**

1-800-295-5510  
uline.com

| #  | DESCRIPTION                     | QTY. | ULINE PART NO. | MFG. PART NO.          |
|----|---------------------------------|------|----------------|------------------------|
| 1  | Stainless Steel Weighing Pan    | 1    | H-1653-PAN     | 113400231              |
| 2  | Plastic Weighing Pan            | 1    | H-1650-PAN     | 111700127              |
| 3  | Display Overlay for H-1649      | 1    | -----          | 113701185              |
| 3  | Display Overlay for H-1650      | 1    | -----          | 113701186              |
| 3  | Display Overlay for H-1651      | 1    | H-1651-OVRLY   | 113701184              |
| 3  | Display Overlay for H-1653      | 1    | H-1653-DISP    | 113701188              |
| 3  | Display Overlay for H-1654      | 1    | -----          | 113701187              |
| 4  | Keypad Overlay for H-1649       | 1    | H-1649-351     | 113500760              |
| 4  | Keypad Overlay for H-1650       | 1    | H-1650-352     | 113500761              |
| 4  | Keypad Overlay for H-1651       | 1    | H-1651-353     | 113500762              |
| 4  | Keypad Overlay for H-1653       | 1    | H-1653-354     | 113500763              |
| 4  | Keypad Overlay for H-1654       | 1    | H-1654-355     | 113500764              |
| 5  | Level Indicator                 | 1    | -----          | 112200009              |
| 6  | Upper Housing                   | 1    | H-1651-TPCVR   | 111700163              |
| 7  | Display Board                   | 1    | H-1650-DISP    | 120100366              |
| 8  | Load Cell for H-1649            | 1    | H-1649-CELL    | 113000430              |
| 8  | Load Cell for H-1650            | 1    | H-1650-CELL    | 113000422              |
| 8  | Load Cell for H-1651            | 1    | H-1651-CELL    | 113000746              |
| 8  | Load Cell for H-1653 and H-1654 | 1    | H-1653-CELL    | 113000843              |
| 9  | Battery                         | 1    | H-1652         | 110200029              |
| 10 | Mainboard                       | 1    | H-1654-MB14B   | 120100372              |
| 11 | AC Adapter Power Socket         | 1    | H-1651-PWRSK   | 120100415              |
| 12 | Lower Housing                   | 1    | -----          | 111700333              |
| 13 | On/Off Power Switch             | 1    | H-1653-9       | 120300102              |
| 14 | Foot                            | 4    | H-1651-FEET    | 111700134<br>111800102 |
| 15 | 12V AC Adapter                  | 1    | H-1679-ADAPT   | 111200157              |
|    | Dust Cover (Not Shown)          | 1    | H-1651-DCVR    | 112700347              |

**ULINE** H-1649, H-1650, H-1651  
H-1653, H-1654  
**BÁSCULAS CUENTA  
FÁCIL**

800-295-5510  
uline.mx





H-1649, H-1650, H-1651  
H-1653, H-1654

**BÁSCULAS CUENTA  
FÁCIL**

800-295-5510

uline.mx

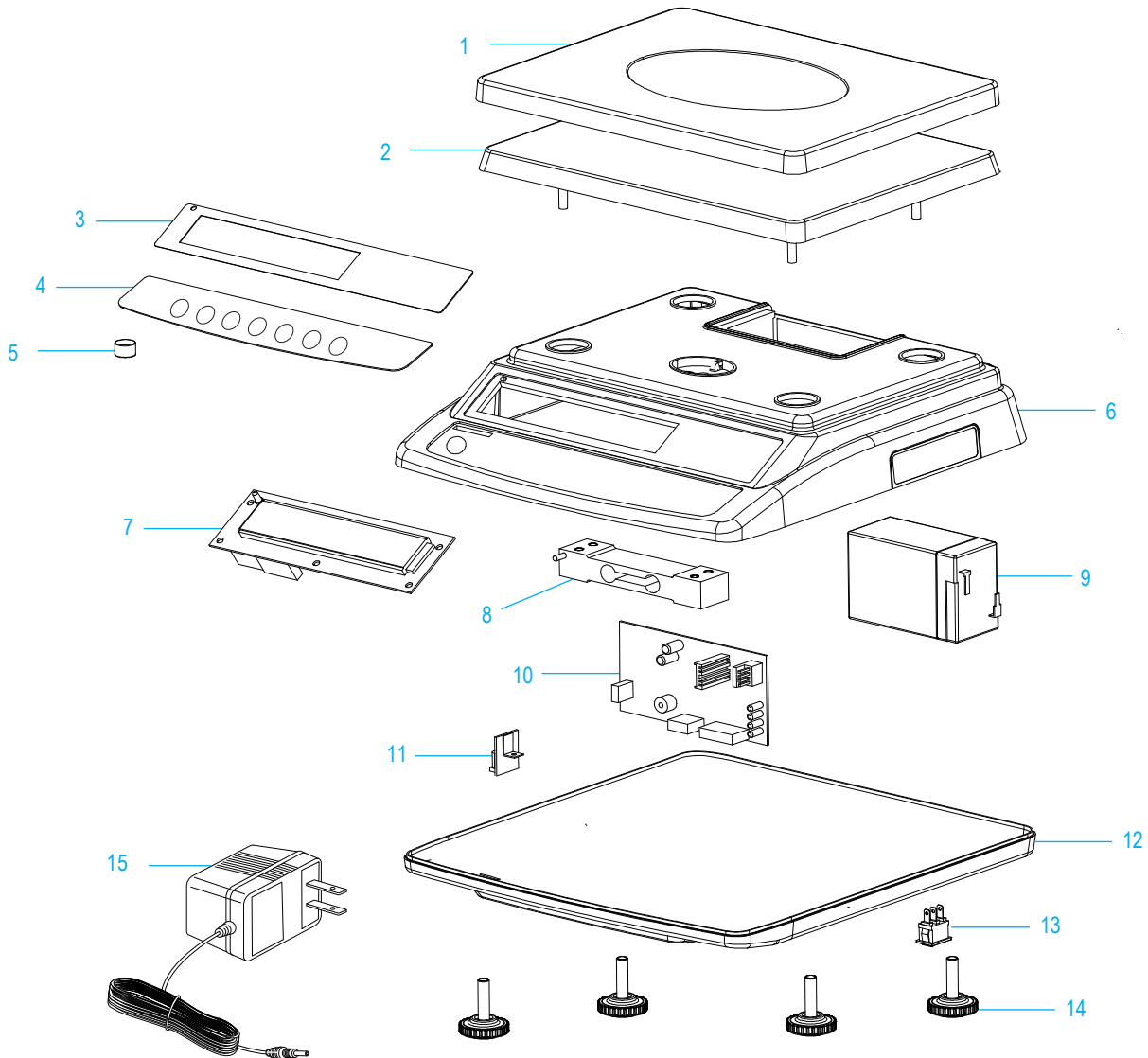
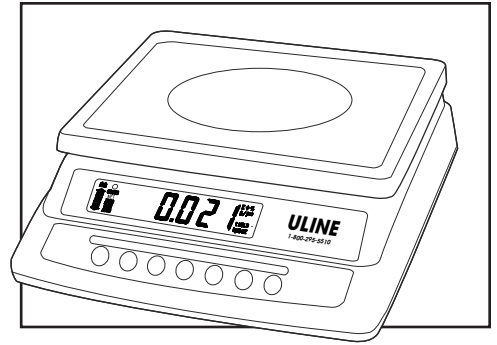
| #  | DESCRIPCIÓN                                | CANT. | NO. DE PARTE DE ULINE | NO. DE PARTE DEL FABRICANTE |
|----|--|-------|-----------------------|-----------------------------|
| 1  | Plataforma de Acero Inoxidable para Pesaje | 1     | H-1653-PAN            | 113400231                   |
| 2  | Plataforma de Plástico para Pesaje         | 1     | H-1650-PAN            | 111700127                   |
| 3  | Mica de la Pantalla para H-1649            | 1     | -----                 | 113701185                   |
| 3  | Mica de la Pantalla para H-1650            | 1     | -----                 | 113701186                   |
| 3  | Mica de la Pantalla para H-1651            | 1     | H-1651-OVRLY          | 113701184                   |
| 3  | Mica de la Pantalla para H-1653            | 1     | H-1653-DISP           | 113701188                   |
| 3  | Mica de la Pantalla para H-1654            | 1     | -----                 | 113701187                   |
| 4  | Mica del Teclado para H-1649               | 1     | H-1649-351            | 113500760                   |
| 4  | Mica del Teclado para H-1650               | 1     | H-1650-352            | 113500761                   |
| 4  | Mica del Teclado para H-1651               | 1     | H-1651-353            | 113500762                   |
| 4  | Mica del Teclado para H-1653               | 1     | H-1653-354            | 113500763                   |
| 4  | Mica del Teclado para H-1654               | 1     | H-1654-355            | 113500764                   |
| 5  | Indicador de Nivel                         | 1     | -----                 | 112200009                   |
| 6  | Cubierta Superior                          | 1     | H-1651-TPCVR          | 111700163                   |
| 7  | Tarjeta de Pantalla                        | 1     | H-1650-DISP           | 120100366                   |
| 8  | Celda de Carga para H-1649                 | 1     | H-1649-CELL           | 113000430                   |
| 8  | Celda de Carga para H-1650                 | 1     | H-1650-CELL           | 113000422                   |
| 8  | Celda de Carga para H-1651                 | 1     | H-1651-CELL           | 113000746                   |
| 8  | Celda de Carga para H-1653 and H-1654      | 1     | H-1653-CELL           | 113000843                   |
| 9  | Batería                                    | 1     | H-1652                | 110200029                   |
| 10 | Tarjeta Principal                          | 1     | H-1654-MB14B          | 120100372                   |
| 11 | Enchufe Adaptador CA                       | 1     | H-1651-PWRSK          | 120100415                   |
| 12 | Cubierta Inferior                          | 1     | -----                 | 111700333                   |
| 13 | Interruptor de Encendido / Apagado         | 1     | H-1653-9              | 120300102                   |
| 14 | Pata                                       | 4     | H-1651-FEET           | 111700134<br>111800102      |
| 15 | Adaptador CA de 12 Voltios                 | 1     | H-1679-ADAPT          | 111200157                   |
|    | Cubierta para Polvo (No se Muestra)        | 1     | H-1651-DCVR           | 112700347                   |

**ULINE**

H-1649, H-1650, H-1651  
H-1653, H-1654

**BALANCE COMPTEUSE  
SIMPLE**

1-800-295-5510  
uline.ca



**BALANCE COMPTEUSE  
SIMPLE**

| #  | DESCRIPTION                             | QTÉ | RÉF. ULINE   | RÉF. DU FABRICANT      |
|----|---|-----|--------------|------------------------|
| 1  | Plateau de pesée en acier inoxydable    | 1   | H-1653-PAN   | 113400231              |
| 2  | Plateau de pesée en plastique           | 1   | H-1650-PAN   | 111700127              |
| 3  | Afficheur revêtu pour H-1649            | 1   | -----        | 113701185              |
| 3  | Afficheur revêtu pour H-1650            | 1   | -----        | 113701186              |
| 3  | Afficheur revêtu pour H-1651            | 1   | H-1651-OVRLY | 113701184              |
| 3  | Afficheur revêtu pour H-1653            | 1   | H-1653-DISP  | 113701188              |
| 3  | Afficheur revêtu pour H-1654            | 1   | -----        | 113701187              |
| 4  | Clavier à membrane pour H-1649          | 1   | H-1649-351   | 113500760              |
| 4  | Clavier à membrane pour H-1650          | 1   | H-1650-352   | 113500761              |
| 4  | Clavier à membrane pour H-1651          | 1   | H-1651-353   | 113500762              |
| 4  | Clavier à membrane pour H-1653          | 1   | H-1653-354   | 113500763              |
| 4  | Clavier à membrane pour H-1654          | 1   | H-1654-355   | 113500764              |
| 5  | Indicateur de niveau                    | 1   | -----        | 112200009              |
| 6  | Boîtier supérieur                       | 1   | H-1651-TPCVR | 111700163              |
| 7  | Tableau d'affichage                     | 1   | H-1650-DISP  | 120100366              |
| 8  | Cellule de poids pour H-1649            | 1   | H-1649-CELL  | 113000430              |
| 8  | Cellule de poids pour H-1650            | 1   | H-1650-CELL  | 113000422              |
| 8  | Cellule de poids pour H-1651            | 1   | H-1651-CELL  | 113000746              |
| 8  | Cellule de poids pour H-1653 and H-1654 | 1   | H-1653-CELL  | 113000843              |
| 9  | Pile                                    | 1   | H-1652       | 110200029              |
| 10 | Carte mère                              | 1   | H-1654-MB14B | 120100372              |
| 11 | Prise de courant de l'adaptateur c.a.   | 1   | H-1651-PWRSK | 120100415              |
| 12 | Boîtier inférieur                       | 1   | -----        | 111700333              |
| 13 | Interrupteur marche / arrêt             | 1   | H-1653-9     | 120300102              |
| 14 | Pied                                    | 4   | H-1651-FEET  | 111700134<br>111800102 |
| 15 | Adaptateur c.a. de 12V                  | 1   | H-1679-ADAPT | 111200157              |
|    | Housse anti-poussière (non illustré)    | 1   | H-1651-DCVR  | 112700347              |