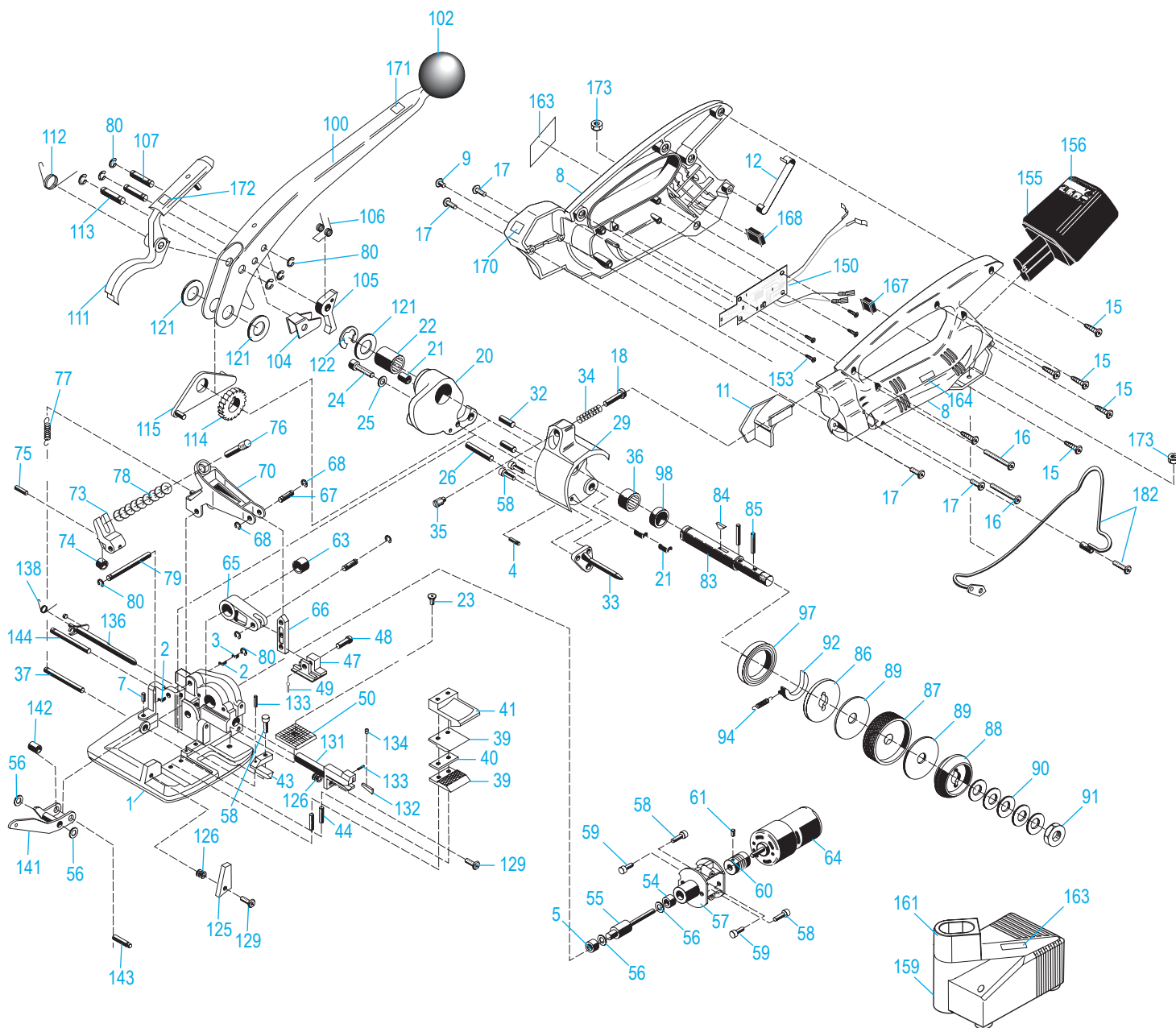
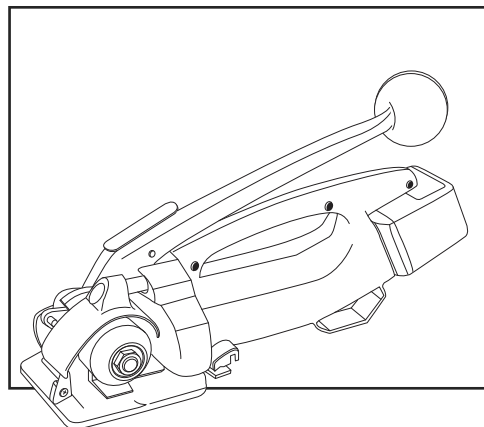


ULINE H-1334

SEMI-AUTOMATIC SEALLESS COMBO STRAPPING TOOL

1-800-295-5510
uline.com



ULINE H-1334
SEMI-AUTOMATIC SEALLESS
COMBO STRAPPING TOOL

1-800-295-5510
 uline.com

#	DESCRIPTION	QTY.	ULINE PART NO.	MFG. PART NO.
1	Base Plate, Incl. Pos. 2-4	1	H-1334-BASE	1832.011.146
2	Slide Bearing	2	-----	1935.506.100
3	Slide Bearing	1	-----	1935.506.060
4	Grooved Dowel Pin	2	H-1334-LPIN	1922.104.123
5	Needle Bushing	1	H-1334-5	1933.906.090
7	Set Screw	1	H-1334-7	1910.604.082
8	Set of Housing Parts, Incl. Pos. 9	1	H-1334-08	1832.011.153
9	Cover	1	-----	1960.000.599
11	Cover	1	H-1334-COVER	1832.011.027
12	Bow Spring	1	H-1334-12	1821.019.001
15	Pt-Screw	6	H-1334-PTSCW	1914.635.160
16	Pt-Screw	2	H-2385-136	1914.635.300
17	Head Screw	4	-----	1914.404.128
18	Bolt	1	H-1334BOLT	1821.033.009
20	Rocker Right, Incl. Pos. 21	1	H-1334-20	1832.031.001
21	Slide Bearing	3	H-1334-SLIDE	1935.508.120
22	Bearing	1	H-1067-#54	1926.502.160
23	Counter Sunk Screw	1	-----	1911.803.128
24	Cylinder Screw	1	-----	1911.006.208
25	Lock Washer	1	-----	1919.606.072
26	Spiral Pin	1	H-1334-26	1921.405.451
29	Rocker Left	1	H-772-LROCKR	1832.031.041
32	Spiral Pin	2	H-1334-PIN	1921.406.201
33	Bolt	1	H-1334-33	1832.031.011
34	Compression Spring	1	H-1334CSPRNG	1821.010.018
35	Set Screw	1	H-1067-P71	1820.030.092
36	Needle Bushing	1	-----	1933.716.160
37	Bolt	1	-----	1821.039.006
39	Tooth Plate	2	H-772-TPLATE	1821.048.002
40	Spacer Plate	1	H-1334-40	1821.205.014
41	Tension Plate	1	H-1334-PLATE	1821.048.004
43	Stop	1	-----	1832.041.004
44	Spiral Pin	2	-----	1921.404.261
47	Welding Shoe	1	H-1334-SHOE	1832.022.002
48	Bolt	1	H-1334-48	1821.033.007
49	Cotter Pin	1	H-772-COTTER	1923.501.120
50	Tooth Plate 1	1	H-1334-TOOTH	1832.022.123
54	Needle Bushing	1	H-1334-BRNG	1933.706.090

ULINE H-1334
SEMI-AUTOMATIC SEALLESS
COMBO STRAPPING TOOL

1-800-295-5510
 uline.com

#	DESCRIPTION	QTY.	ULINE PART NO.	MFG. PART NO.
55	Eccentric Shaft	1	-----	1832.033.006
56	Spacer Disk	4	H-1334-56	1917.401.065
57	Flange	1	H-1334-57	1832.011.022
58	Cylinder Screw	3	-----	1911.004.128
59	Cylinder Screw	2	H-2385-CSCRW	1911.004.088
60	Coupling, Incl. Pos. 61	1	H-1334-COUPPL	1821.250.003
61	Set Screw	4	-----	1910.703.062
63	Needle Bushing	1	H-1334-63	1933.710.150
64	Motor	1	H-1334-MOTOR	1821.140.002
65	Connecting Rod	1	-----	1832.022.001
66	Link	1	H-1334-LINK	1821.205.013
67	Bolt	2	H-1334-BOLT	1821.031.015
68	Lock Washer	4	H-2386-LOCKW	1920.103.062
70	Pressure Piece	1	-----	1832.022.006
73	Stroke Piece	1	-----	1832.022.004
74	Press Roll	1	-----	1821.020.039
75	Bolt	1	-----	1821.030.014
76	Set Screw	1	-----	1821.039.008
77	Tension Spring	1	H-1334-TSPRI	1821.011.003
78	Saucer Spring	9	H-1334-SAUCE	1821.019.003
79	Bolt	1	-----	1821.031.016
80	Lock Washer	9	H-1334-LOCKW	1920.105.072
83	Tension Shaft	1	H-1334TSHFT	1832.033.005
84	Key	1	H-1334KEYRH	1830.000.062
85	Pin	2	-----	1821.030.024
86	Carring Disc	1	-----	1821.255.002
87	Tension Wheel	1	H-1334TWHEEL	1821.047.003
88	Carrier	1	-----	1821.255.001
89	Clutch Disc	2	H-1334-89	1830.000.262
90	Saucer Spring	5	-----	1925.210.122
91	Nut	1	H-1334-91	1820.020.163
92	Ring	1	H-1334-RING	1832.039.007
94	Tension Spring	1	H-1334-SPRIN	1820.010.182
97	Bearing	1	H-2385-BEAR	1930.180.356
98	Bushing	1	H-1334-BSHNG	1821.020.037
100	Tension Lever Complete, Incl. Pos. 102	1	H-1334-TL	1821.080.003
102	Knob	1	H-739-37	1820.080.051
104	Pawl	1	H-1334-PWL	1832.039.008

ULINE H-1334
SEMI-AUTOMATIC SEALLESS
COMBO STRAPPING TOOL

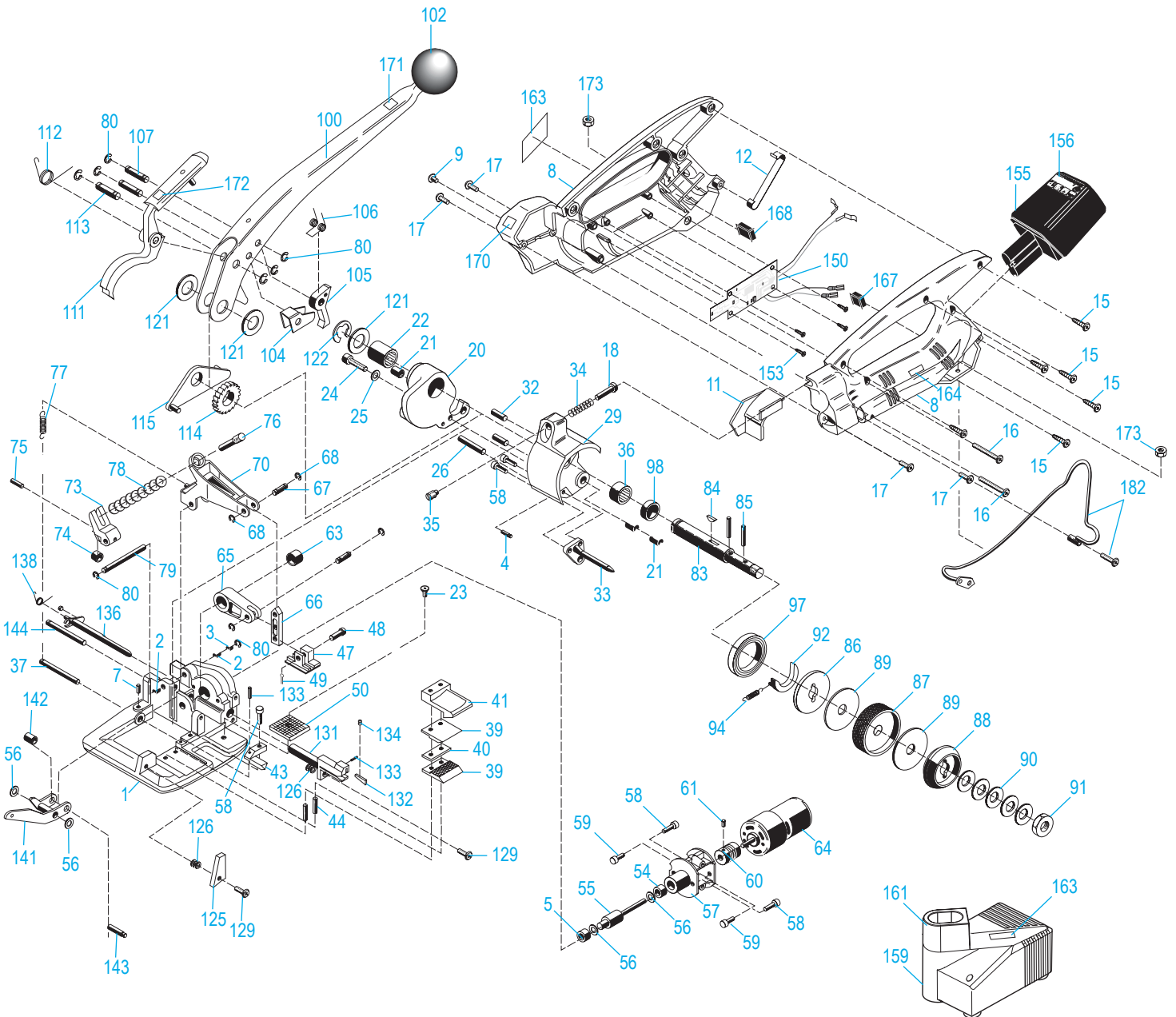
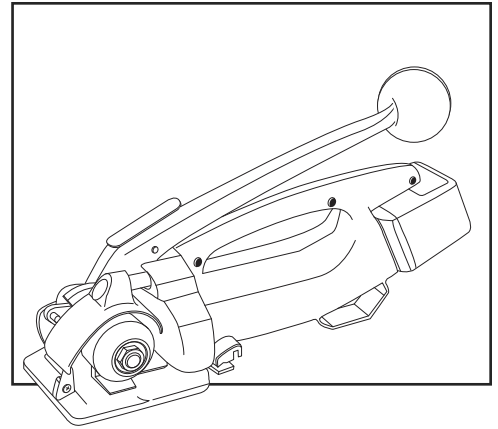
1-800-295-5510
 uline.com

#	DESCRIPTION	QTY.	ULINE PART NO.	MFG. PART NO.
105	Pawl	1	H-1334-PAWL	1832.039.009
106	Torsion Spring	1	H-1334-TRSN	1820.010.149
107	Bolt	2	H-1334-BOLT	1821.031.013
111	Welding Lever	1	H-1334-LEVER	1821.084.002
112	Torsion Spring	1	H-1334-TORSI	1821.012.007
113	Bolt	1	H-1334-113	1821.031.014
114	Locking Wheel	1	H-739-43	1820.040.060
115	Switch Link Complete	1	H-1334-SWTC	1821.089.005
121	Spacer Disk	3	H-739-SPACER	1917.401.165
122	Lock Washer	1	H-1275-044	1920.112.132
125	Strap Guide	1	H-1334-SGUID	1832.041.002
126	Washer	4	-----	1821.020.042
129	Counter Sunk Screw	2	H-772-CNTRSS	1911.804.127
131	Knife Sleeve	1	H-1334-131	1832.042.038
132	Pawl	1	H-1334-035	1832.042.035
133	Special Screw	1	H-1334-418	1820.030.418
134	Compression Spring	1	H-1334-019	1821.010.019
136	Knife Complete With Magnet	1	H-1334-KNIFE	1821.209.016
138	Torsion Spring	1	H-1334TSRNG	1821.012.008
141	Stroke Lever	1	H-1334-141	1832.022.007
142	Bushing	1	-----	1821.020.040
143	Bolt	1	-----	1821.030.013
144	Bolt	1	-----	1821.039.005
150	Printed Circuit Board	1	H-1334-BOARD	1821.152.007
153	Pt-Screw	4	-----	1914.630.100
155	Battery, 12 V, Incl. Pos. 156	1	H-1334-BATT	2179.110-P
156	Name Tag "Battery"	1	-----	1821.090.012
159	Charger/Adapter Set, 115 V USA	1	H-1334-CHARG	2179.221
161	Adapter	1	H-1334-ADAPT	2179.115
163	Name Tag "Battery Charger"	2	H-2385-NMPLT	1821.090.021
164	Type Plate	1	-----	1821.091.039
167	Insert Short	1	H-1334-167	1832.011.078
168	Insert Long	1	H-1334-168	1832.011.079
170	Indication Plate "CE"	1	-----	1821.092.016
171	Indication Plate "1"	1	-----	1821.092.017
172	Indication Plate "2"	1	-----	1821.092.020
173	Indication Plate "Safety"	1	-----	1821.092.013
182	Suspension Bow Assembly	1	H-1334-BOW	2179.813

ULINE H-1334

HERRAMIENTA COMBINADA SEMIAUTOMÁTICA PARA FLEJE PARA USO SIN SELLO

01-800-295-5510
uline.mx



**HERRAMIENTA COMBINADA
SEMIAUTOMÁTICA PARA
FLEJE PARA USO SIN SELLO**

#	DESCRIPCIÓN	CANT.	NO. DE PARTE DE ULINE	NO. DE PARTE DEL FABRICANTE
1	Placa de Base, Incl. Pos. 2-4	1	H-1334-BASE	1832.011.146
2	Cojinete Deslizable	2	-----	1935.506.100
3	Cojinete Deslizable	1	-----	1935.506.060
4	Clavija Cilíndrica Ranurada	2	H-1334-LPIN	1922.104.123
5	Casquillo de Aguja	1	H-1334-5	1933.906.090
7	Tornillo de Ajuste	1	H-1334-7	1910.604.082
8	Juego de Partes de la Carcasa, Incl. Pos. 9	1	H-1334-08	1832.011.153
9	Cubierta	1	-----	1960.000.599
11	Cubierta	1	H-1334-COVER	1832.011.027
12	Resorte de Arco	1	H-1334-12	1821.019.001
15	Tornillo PT	6	H-1334-PTSCW	1914.635.160
16	Tornillo PT	2	H-2385-136	1914.635.300
17	Tornillo con Cabeza	4	-----	1914.404.128
18	Perno	1	H-1334BOLT	1821.033.009
20	Balancín, Derecha, Incl. Pos. 21	1	H-1334-20	1832.031.001
21	Cojinete Deslizable	3	H-1334-SLIDE	1935.508.120
22	Cojinete	1	H-1067-#54	1926.502.160
23	Tornillo Avellanado	1	-----	1911.803.128
24	Tornillo Cilíndrico	1	-----	1911.006.208
25	Rondana de Seguridad	1	-----	1919.606.072
26	Clavija de Espiral	1	H-1334-26	1921.405.451
29	Balancín, Izquierda	1	H-772-LROCKR	1832.031.041
32	Clavija de Espiral	2	H-1334-PIN	1921.406.201
33	Perno	1	H-1334-33	1832.031.011
34	Resorte de Compresión	1	H-1334CSPRNG	1821.010.018
35	Tornillo de Ajuste	1	H-1067-P71	1820.030.092
36	Casquillo de Aguja	1	-----	1933.716.160
37	Perno	1	-----	1821.039.006
39	Placa Dentada	2	H-772-TPLATE	1821.048.002
40	Placa Separadora	1	H-1334-40	1821.205.014
41	Placa de Tensión	1	H-1334-PLATE	1821.048.004
43	Tope	1	-----	1832.041.004
44	Clavija de Espiral	2	-----	1921.404.261
47	Zapata de Soldadura	1	H-1334-SHOE	1832.022.002
48	Perno	1	H-1334-48	1821.033.007
49	Pasador de Chaveta	1	H-772-COTTER	1923.501.120
50	Placa Dentada 1	1	H-1334-TOOTH	1832.022.123
54	Casquillo de Aguja	1	H-1334-BRNG	1933.706.090

**HERRAMIENTA COMBINADA
SEMIAUTOMÁTICA PARA
FLEJE PARA USO SIN SELLO**

#	DESCRIPCIÓN	CANT.	NO. DE PARTE DE ULINE	NO. DE PARTE DEL FABRICANTE
55	Eje Excéntrico	1	-----	1832.033.006
56	Disco Separador	4	H-1334-56	1917.401.065
57	Brida	1	H-1334-57	1832.011.022
58	Tornillo Cilíndrico	3	-----	1911.004.128
59	Tornillo Cilíndrico	2	H-2385-CSCRW	1911.004.088
60	Acoplamiento, Incl. Pos. 61	1	H-1334-COUPPL	1821.250.003
61	Tornillo de Ajuste	4	-----	1910.703.062
63	Casquillo de Aguja	1	H-1334-63	1933.710.150
64	Motor	1	H-1334-MOTOR	1821.140.002
65	Varilla de Conexión	1	-----	1832.022.001
66	Enlace	1	H-1334-LINK	1821.205.013
67	Perno	2	H-1334-BOLT	1821.031.015
68	Rondana de Seguridad	4	H-2386-LOCKW	1920.103.062
70	Pieza de Presión	1	-----	1832.022.006
73	Pieza de Bombeo	1	-----	1832.022.004
74	Rodillo de Prensa	1	-----	1821.020.039
75	Perno	1	-----	1821.030.014
76	Tornillo de Ajuste	1	-----	1821.039.008
77	Resorte de Tensión	1	H-1334-TSPRI	1821.011.003
78	Resorte tipo Platillo	9	H-1334-SAUCE	1821.019.003
79	Perno	1	-----	1821.031.016
80	Rondana de Seguridad	9	H-1334-LOCKW	1920.105.072
83	Eje de Tensión	1	H-1334TSHFT	1832.033.005
84	Llave	1	H-1334KEYRH	1830.000.062
85	Clavija	2	-----	1821.030.024
86	Disco Portador	1	-----	1821.255.002
87	Rueda de Tensión	1	H-1334TWHEEL	1821.047.003
88	Perno de Arrastre	1	-----	1821.255.001
89	Disco de Embrague	2	H-1334-89	1830.000.262
90	Resorte Tipo Platillo	5	-----	1925.210.122
91	Tuerca	1	H-1334-91	1820.020.163
92	Anillo	1	H-1334-RING	1832.039.007
94	Resorte de Tensión	1	H-1334-SPRIN	1820.010.182
97	Cojinete	1	H-2385-BEAR	1930.180.356
98	Casquillo	1	H-1334-BSHNG	1821.020.037
100	Palanca de Tensión Completa, Incl. Pos. 102	1	H-1334-TL	1821.080.003
102	Perilla	1	H-739-37	1820.080.051
104	Trinquete de Seguridad	1	H-1334-PWL	1832.039.008

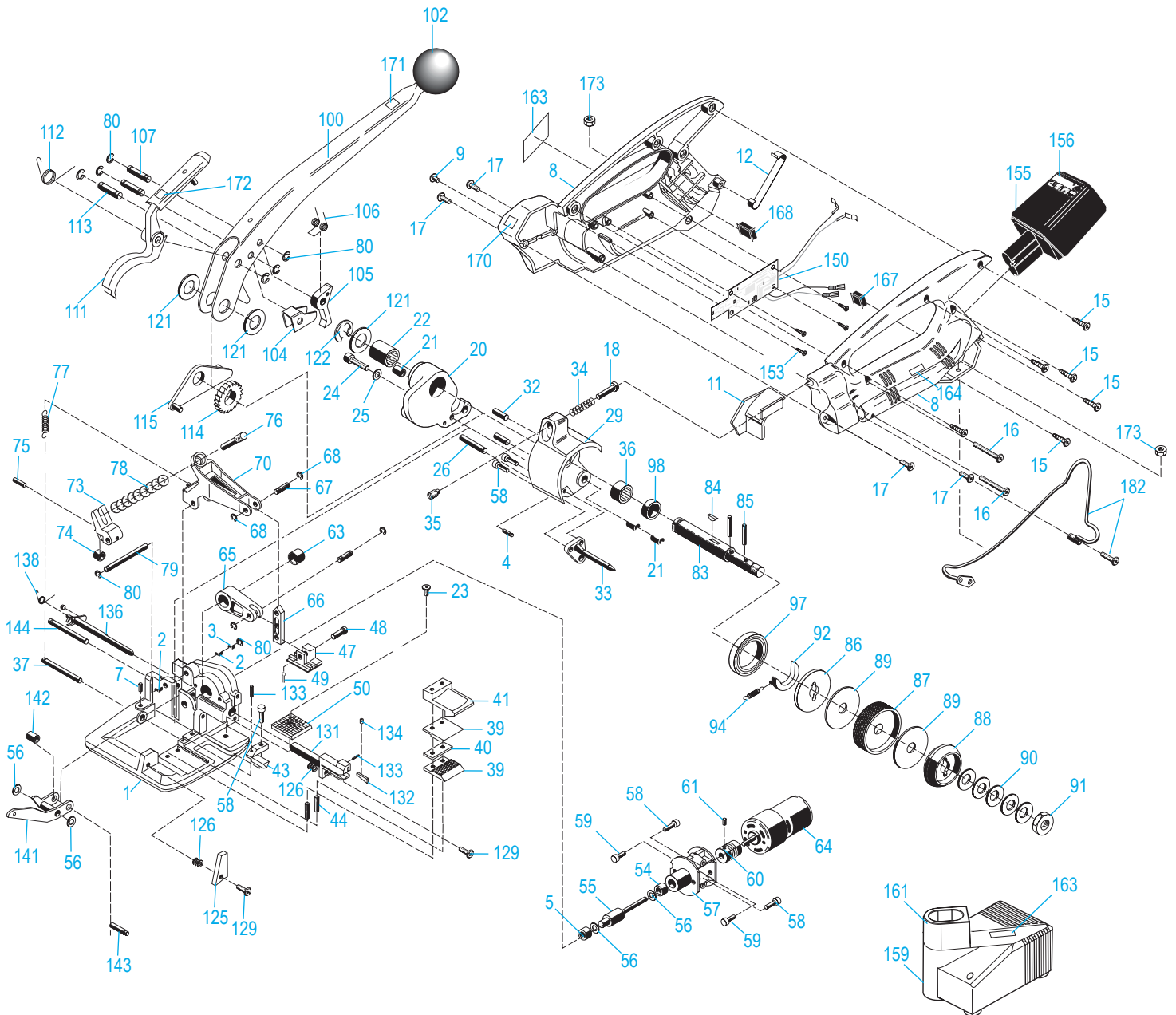
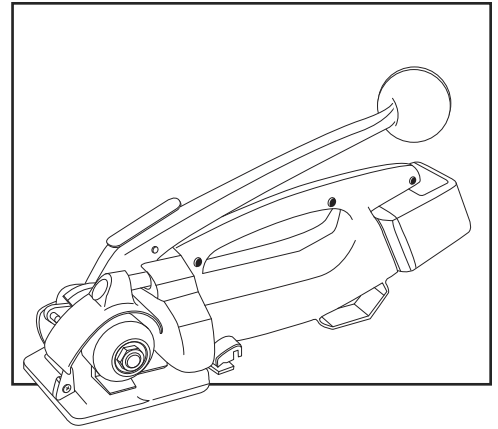
**HERRAMIENTA COMBINADA
SEMIAUTOMÁTICA PARA
FLEJE PARA USO SIN SELLO**

#	DESCRIPCIÓN	CANT.	NO. DE PARTE DE ULINE	NO. DE PARTE DEL FABRICANTE
105	Trinquete de Seguridad	1	H-1334-PAWL	1832.039.009
106	Resorte de Torsión	1	H-1334-TRSN	1820.010.149
107	Perno	2	H-1334-BOLT	1821.031.013
111	Palanca de Soldadura	1	H-1334-LEVER	1821.084.002
112	Resorte de Torsión	1	H-1334-TORSI	1821.012.007
113	Perno	1	H-1334-113	1821.031.014
114	Rueda con Bloqueo	1	H-739-43	1820.040.060
115	Enlace de Cambio Completo	1	H-1334-SWITCH	1821.089.005
121	Disco Separador	3	H-739-SPACER	1917.401.165
122	Rondana de Seguridad	1	H-1275-044	1920.112.132
125	Guía de Correa	1	H-1334-SGUID	1832.041.002
126	Rondana	4	-----	1821.020.042
129	Tornillo Avellanado	2	H-772-CNTRSS	1911.804.127
131	Funda de Cuchilla	1	H-1334-131	1832.042.038
132	Trinquete de Seguridad	1	H-1334-035	1832.042.035
133	Tornillo Especial	1	H-1334-418	1820.030.418
134	Resorte de Compresión	1	H-1334-019	1821.010.019
136	Cuchilla Completa con Imán	1	H-1334-KNIFE	1821.209.016
138	Resorte de Torsión	1	H-1334TSPRNG	1821.012.008
141	Palanca de Bombeo	1	H-1334-141	1832.022.007
142	Casquillo	1	-----	1821.020.040
143	Perno	1	-----	1821.030.013
144	Perno	1	-----	1821.039.005
150	Tablero de Circuito Impreso	1	H-1334-BOARD	1821.152.007
153	Tornillo PT	4	-----	1914.630.100
155	Batería, 12 V, Incl. Pos. 156	1	H-1334-BATT	2179.110-P
156	Etiqueta de Nombre "Battery" (batería)	1	-----	1821.090.012
159	Juego de Cargador/Adaptador, 115 V USA	1	H-1334-CHARG	2179.221
161	Adaptador	1	H-1334-ADAPT	2179.115
163	Etiqueta de Nombre "Battery Charger" (cargador de batería)	2	H-2385-NMPLT	1821.090.021
164	Placa de Tipo	1	-----	1821.091.039
167	Inserto Corto	1	H-1334-167	1832.011.078
168	Inserto Largo	1	H-1334-168	1832.011.079
170	Placa Indicativa "CE"	1	-----	1821.092.016
171	Placa Indicativa "1"	1	-----	1821.092.017
172	Placa Indicativa "2"	1	-----	1821.092.020
173	Placa Indicativa "Safety" (seguridad)	1	-----	1821.092.013
182	Ensamble del Arco de Suspensión	1	H-1334-BOW	2179.813

ULINE H-1334

OUTIL COMBINÉ SEMI-AUTOMATIQUE SANS JOINTS

1-800-295-5510
uline.ca



ULINE H-1334
OUTIL COMBINÉ
SEMI-AUTOMATIQUE
SANS JOINTS

1-800-295-5510
 uline.ca

#	DESCRIPTION	QTÉ	RÉF. ULINE	RÉF. DU FABRICANT
1	Plaque de base, pos. incl. 2-4	1	H-1334-BASE	1832.011.146
2	Palier lisse	2	-----	1935.506.100
3	Palier lisse	1	-----	1935.506.060
4	Ergot de centrage à rainure	2	H-1334-LPIN	1922.104.123
5	Douille d'aiguille	1	H-1334-5	1933.906.090
7	Vis de réglage	1	H-1334-7	1910.604.082
8	Ensemble de pièces pour boîtier, pos. incl. 9	1	H-1334-08	1832.011.153
9	Couvercle	1	-----	1960.000.599
11	Couvercle	1	H-1334-COVER	1832.011.027
12	Ressort boucle	1	H-1334-12	1821.019.001
15	Vis Pt	6	H-1334-PTSCW	1914.635.160
16	Vis Pt	2	H-2385-136	1914.635.300
17	Vis de tête	4	-----	1914.404.128
18	Boulon	1	H-1334BOLT	1821.033.009
20	Bascule droite, pos. incl. 21	1	H-1334-20	1832.031.001
21	Palier lisse	3	H-1334-SLIDE	1935.508.120
22	Roulement	1	H-1067-#54	1926.502.160
23	Vis à tête fraisée	1	-----	1911.803.128
24	Vis cylindrique	1	-----	1911.006.208
25	Rondelle d'arrêt	1	-----	1919.606.072
26	Cheville spirale	1	H-1334-26	1921.405.451
29	Bascule gauche	1	H-772-LROCKR	1832.031.041
32	Cheville spirale	2	H-1334-PIN	1921.406.201
33	Boulon	1	H-1334-33	1832.031.011
34	Ressort de compression	1	H-1334CSPRNG	1821.010.018
35	Vis de réglage	1	H-1067-P71	1820.030.092
36	Douille d'aiguille	1	-----	1933.716.160
37	Boulon	1	-----	1821.039.006
39	Plaque dentée	2	H-772-TPLATE	1821.048.002
40	Plaque d'écartement	1	H-1334-40	1821.205.014
41	Plaque de tension	1	H-1334-PLATE	1821.048.004
43	Butée	1	-----	1832.041.004
44	Cheville spirale	2	-----	1921.404.261
47	Baguette à souder	1	H-1334-SHOE	1832.022.002
48	Boulon	1	H-1334-48	1821.033.007
49	Goupille fendue	1	H-772-COTTER	1923.501.120
50	Plaque dentée 1	1	H-1334-TOOTH	1832.022.123
54	Douille d'aiguille	1	H-1334-BRNG	1933.706.090

ULINE H-1334
OUTIL COMBINÉ
SEMI-AUTOMATIQUE
SANS JOINTS

1-800-295-5510
 uline.ca

#	DESCRIPTION	QTÉ	RÉF. ULINE	RÉF. DU FABRICANT
55	Arbre excentrique	1	-----	1832.033.006
56	Disque d'écartement	4	H-1334-56	1917.401.065
57	Bride	1	H-1334-57	1832.011.022
58	Vis cylindrique	3	-----	1911.004.128
59	Vis cylindrique	2	H-2385-CSCRW	1911.004.088
60	Couplage, pos. incl. 61	1	H-1334-COUP	1821.250.003
61	Vis de réglage	4	-----	1910.703.062
63	Douille d'aiguille	1	H-1334-63	1933.710.150
64	Moteur	1	H-1334-MOTOR	1821.140.002
65	Tige de connexion	1	-----	1832.022.001
66	Liaison	1	H-1334-LINK	1821.205.013
67	Boulon	2	H-1334-BOLT	1821.031.015
68	Rondelle d'arrêt	4	H-2386-LOCKW	1920.103.062
70	Pièce de pression	1	-----	1832.022.006
73	Pièce de coup	1	-----	1832.022.004
74	Rouleau de pression	1	-----	1821.020.039
75	Boulon	1	-----	1821.030.014
76	Vis de réglage	1	-----	1821.039.008
77	Ressort de tension	1	H-1334-TSPRI	1821.011.003
78	Ressort Saucer	9	H-1334-SAUCE	1821.019.003
79	Boulon	1	-----	1821.031.016
80	Rondelle d'arrêt	9	H-1334-LOCKW	1920.105.072
83	Arbre de tension	1	H-1334TSHFT	1832.033.005
84	Clé	1	H-1334KEYRH	1830.000.062
85	Goupille	2	-----	1821.030.024
86	Disque de support	1	-----	1821.255.002
87	Roue de tension	1	H-1334TWHEEL	1821.047.003
88	Transporteur	1	-----	1821.255.001
89	Disque d'embrayage	2	H-1334-89	1830.000.262
90	Ressort Saucer	5	-----	1925.210.122
91	Écrou	1	H-1334-91	1820.020.163
92	Bague	1	H-1334-RING	1832.039.007
94	Ressort de tension	1	H-1334-SPRIN	1820.010.182
97	Roulement	1	H-2385-BEAR	1930.180.356
98	Bague	1	H-1334-BSHNG	1821.020.037
100	Levier de tension complet, pos. incl. 102	1	H-1334-TL	1821.080.003
102	Bouton	1	H-739-37	1820.080.051
104	Cliquet	1	H-1334-PWL	1832.039.008

ULINE H-1334
OUTIL COMBINÉ
SEMI-AUTOMATIQUE
SANS JOINTS

1-800-295-5510
 uline.ca

#	DESCRIPTION	QTÉ	RÉF. ULINE	RÉF. DU FABRICANT
105	Cliquet	1	H-1334-PAWL	1832.039.009
106	Ressort de torsion	1	H-1334-TRSN	1820.010.149
107	Boulon	2	H-1334-BOLT	1821.031.013
111	Levier	1	H-1334-LEVER	1821.084.002
112	Ressort de torsion	1	H-1334-TORSI	1821.012.007
113	Boulon	1	H-1334-113	1821.031.014
114	Roue de verrouillage	1	H-739-43	1820.040.060
115	Bielle à contrat complète	1	H-1334-SWCH	1821.089.005
121	Disque d'écartement	3	H-739-SPACER	1917.401.165
122	Rondelle d'arrêt	1	H-1275-044	1920.112.132
125	Guide de sangle	1	H-1334-SGUID	1832.041.002
126	Rondelle	4	-----	1821.020.042
129	Vis à tête fraisée	2	H-772-CNTRSS	1911.804.127
131	Manchon de couteau	1	H-1334-131	1832.042.038
132	Cliquet	1	H-1334-035	1832.042.035
133	Vis spéciale	1	H-1334-418	1820.030.418
134	Ressort de compression	1	H-1334-019	1821.010.019
136	Couteau complet avec aimant	1	H-1334-KNIFE	1821.209.016
138	Ressort de torsion	1	H-1334TSPRNG	1821.012.008
141	Levier de coup	1	H-1334-141	1832.022.007
142	Bague	1	-----	1821.020.040
143	Boulon	1	-----	1821.030.013
144	Boulon	1	-----	1821.039.005
150	Carte de circuit imprimée	1	H-1334-BOARD	1821.152.007
153	Vis Pt	4	-----	1914.630.100
155	Pile, 12 volts, pos. incl. 156	1	H-1334-BATT	2179.110-P
156	Étiquette signalétique « Battery » (Pile)	1	-----	1821.090.012
159	Ensemble chargeur/adaptateur, 115 V É.-U.	1	H-1334-CHARG	2179.221
161	Adaptateur	1	H-1334-ADAPT	2179.115
163	Étiquette signalétique « Battery Charger » (Chargeur de pile)	2	H-2385-NMPLT	1821.090.021
164	Plaque type	1	-----	1821.091.039
167	Insertion courte	1	H-1334-167	1832.011.078
168	Insertion longue	1	H-1334-168	1832.011.079
170	Plaque d'indication « CE »	1	-----	1821.092.016
171	Plaque d'indication « 1 »	1	-----	1821.092.017
172	Plaque d'indication « 2 »	1	-----	1821.092.020
173	Plaque d'indication « Safety » (Sécurité)	1	-----	1821.092.013
182	Ensemble boucle de suspension	1	H-1334-BOW	2179.813