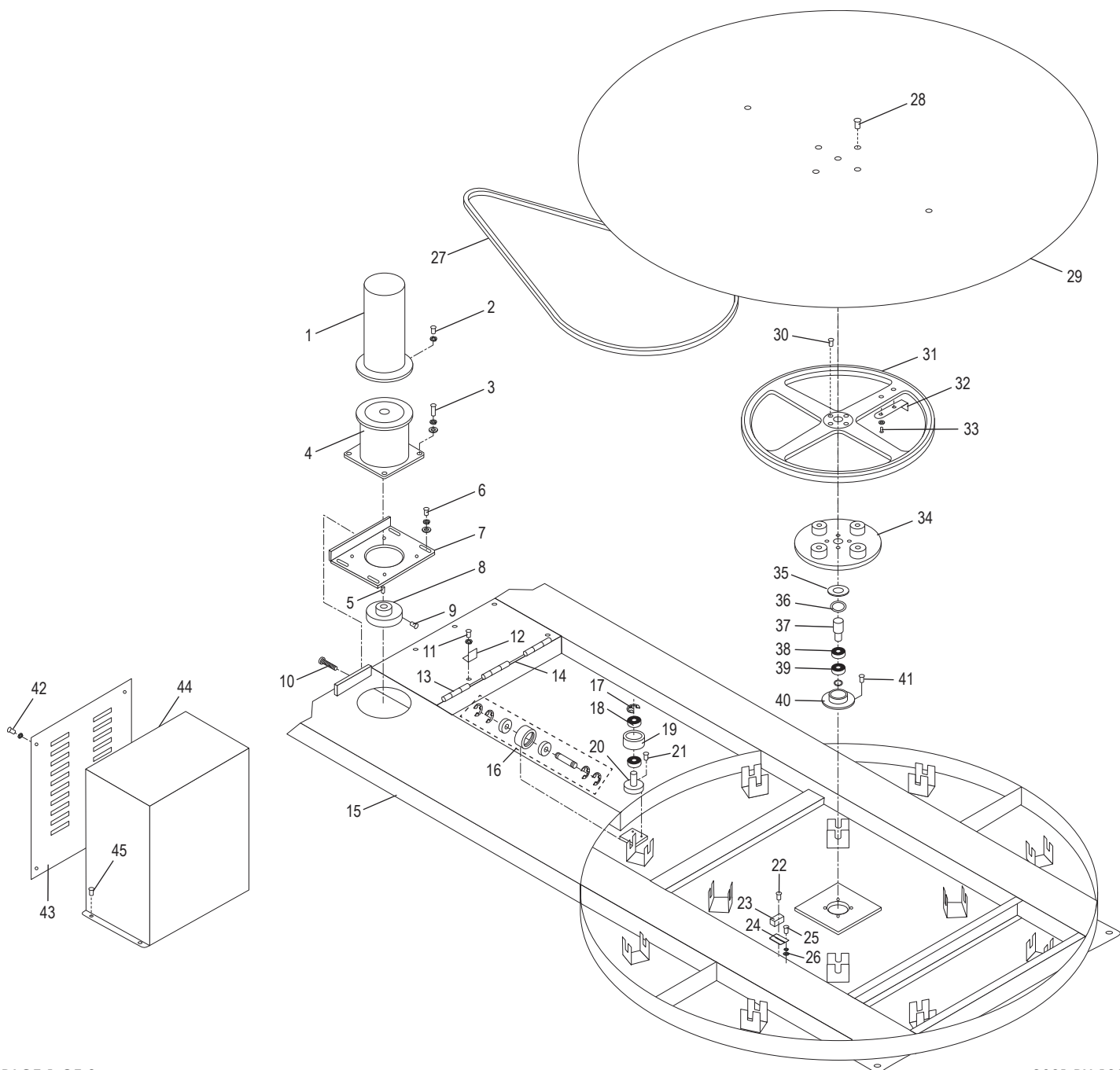
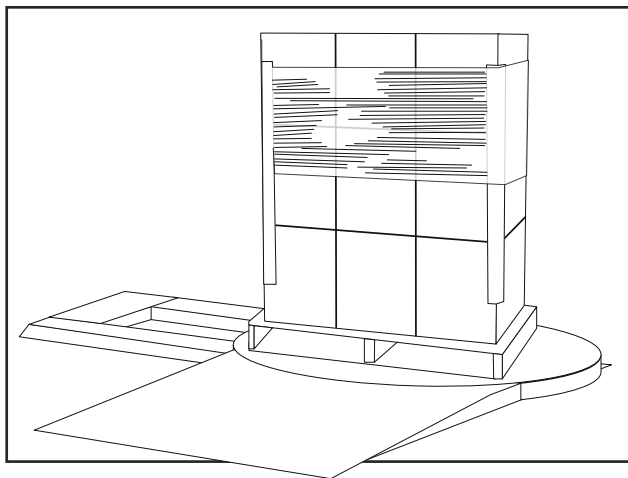


ULINE H-1287

STRETCH WRAP LOW PROFILE TURNTABLE

1-800-295-5510
uline.com



| # | DESCRIPTION | QTY. | ULINE PART NO. | MFG. PART NO. |
|----|----------------------------|------|----------------|---------------|
| 1 | Motor VP3310D 1/4HP 1.5M | 1 | H-1020-37 | 300037 |
| 2 | Screw M8 x 20L & W. | 4 | ----- | 200091 |
| 3 | Screw M10 x 20L & SW & W. | 4 | ----- | 200092 |
| 4 | Speed Reducer 1/4HP 1.5M | 1 | H-1020-00031 | 300031 |
| 5 | Key 5 x 20L | 1 | ----- | 300002 |
| 6 | Screw M10 x 25L & SW & W. | 4 | ----- | 200093 |
| 7 | Motor Adjust Seat 1.5M | 1 | ----- | 500034 |
| 8 | Motor Pulley 4"22 1.5M | 1 | ----- | 500014 |
| 9 | Screw 5/16" x 16L | 2 | ----- | 200116 |
| 10 | Screw M10 x 70L | 1 | ----- | 200095 |
| 11 | Screw M6 x 12L & W. | 1 | ----- | 200077 |
| 12 | Motor Box Fix Plate | 1 | ----- | 500083 |
| 13 | Pin | 2 | ----- | 500087 |
| 14 | Ring STW-10 | 2 | ----- | 300006 |
| 15 | Turntable Seat 1.5M | 1 | ----- | 600000 |
| 16 | Cam Follower Assembly | 1 | H-1287-CAM | 700060 |
| 17 | Ring STW-17 | 1 | ----- | 300009 |
| 18 | Bearing 6203ZZ | 2 | ----- | 300021 |
| 19 | Belt Lock Pulley | 1 | ----- | 500011 |
| 20 | Belt Lock Pulley Shaft | 1 | ----- | 500012 |
| 21 | Screw M6 x 16L | 3 | H-1020-M6X16 | 200078 |
| 22 | Screw M3 x 25L & W. | 2 | ----- | 200098 |
| 23 | Proximity Switch PS-05N-3M | 1 | H-1020-00641 | 400641 |
| 24 | Proximity Switch Fix Seat | 1 | H-1020FIXSET | 500013 |
| 25 | Screw M4 x 20L | 2 | ----- | 200103 |
| 26 | Nut M5 | 6 | ----- | 200128 |
| 27 | Belt (154") | 1 | H-2957-BELT | 300772 |
| 28 | Screw M8 x 25L | 4 | H-1287-M8X25 | 200113 |
| 29 | Turntable Plate 1.5M | 1 | ----- | 500004 |
| 30 | Screw M8 x 20L | 4 | ----- | 200084 |
| 31 | Wheel 22" | 1 | H-1020-PLYDS | 500007 |
| 32 | Locating Plate | 1 | ----- | 500006 |
| 33 | Screw M5 x 10L & W. | 4 | ----- | 200108 |

ULINE H-1287
**STRETCH WRAP LOW
 PROFILE TURNTABLE**

1-800-295-5510
 uline.com

| # | DESCRIPTION | QTY. | ULINE PART NO. | MFG. PART NO. |
|----|--------------------------|------|----------------|---------------|
| 34 | Pulley Fixing Plate | 1 | H-1287-34DS | 500008 |
| 35 | Belt Pulley Seat Ring | 1 | H-1287-BPSR | 500085 |
| 36 | Ring RTW-42 | 1 | H-1287-RTW42 | 302145 |
| 37 | Belt Pulley Shaft | 1 | H-1287-BPSFT | 500084 |
| 38 | Bearing 6004ZZ | 2 | H-1287-604ZZ | 300018 |
| 39 | Ring STW-20 | 1 | H-1287-STW20 | 300010 |
| 40 | Belt Pulley Bearing Seat | 1 | H-1287-43 | 500086 |
| 41 | Screw M10 x 16L | 4 | ----- | 200088 |
| 42 | Screw M4 x 8L & W. | 4 | ----- | 200100 |
| 43 | Motor Cover 1.5M | 1 | ----- | 500081 |
| 44 | Turntable Motor Box 1.5M | 1 | ----- | 600028 |
| 45 | Screw M4 x 8L & W. | 2 | ----- | 200100 |
| | Foot Pedal (Not Shown) | 1 | h-1287-pedal | 403383 |

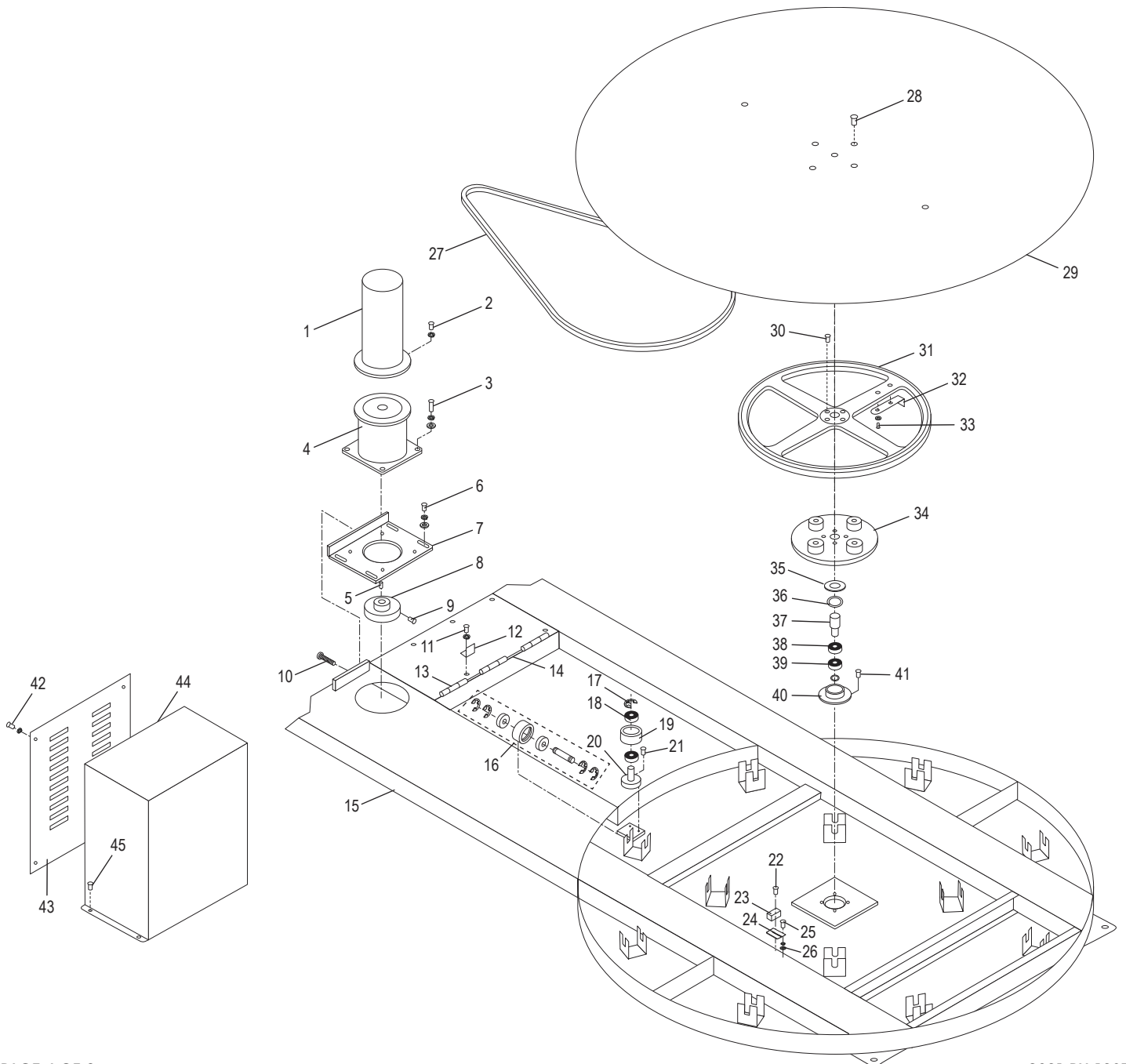
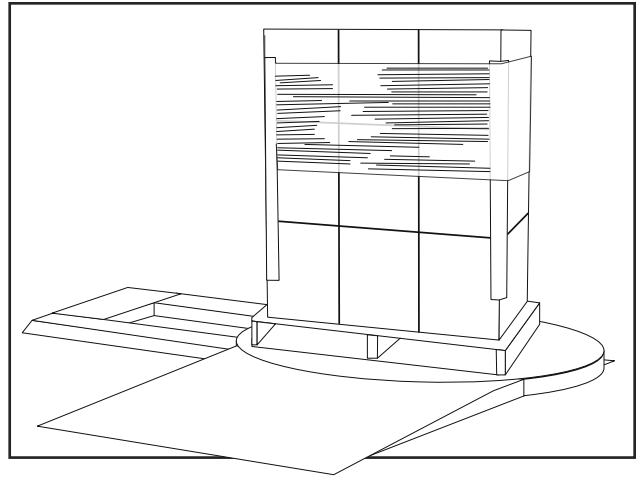
ELECTRICAL SYSTEM PARTS LIST

| DESCRIPTION | QTY. | ULINE PART NO. | MFG. PART NO. |
|--------------------------|------|----------------|---------------|
| Enclosure | 1 | ----- | 404525 |
| Cord Set, 18' | 1 | ----- | 403051 |
| Footswitch Cable | 10' | H-2303-10CBL | 403917 |
| Footswitch, Maintained | 1 | H-1287-PEDAL | 403383 |
| Power Cable, 3 Conductor | 2' | ----- | 402394 |
| Cord Grip, M20 | 1 | ----- | 403384 |
| Cord Grip, 1/2" NPT | 3 | ----- | 403790 |
| Cord Grip Nut, 1/2" NPT | 3 | ----- | 403779 |
| Frequency Drive, 1/2 HP | 1 | H-1020-FREQ | 408467 |
| Circuit Breaker, 10A | 1 | ----- | 404139 |
| Paddle Switch | 1 | ----- | 406096 |

ULINE H-1287

**PLATAFORMA
GIRATORIA DE
PERFIL BAJO PARA
PELÍCULA ELÁSTICA**

800-295-5510
uline.mx



PLATAFORMA GIRATORIA DE PERFIL BAJO PARA PELÍCULA ELÁSTICA

| # | DESCRIPCIÓN | CANT. | NO. DE PARTE DE ULINE | NO. DE PARTE DEL FABRICANTE |
|----|---------------------------------------------|-------|-----------------------|-----------------------------|
| 1 | Motor VP3310D 1/4HP 1.5M | 1 | H-1020-37 | 300037 |
| 2 | Tornillo M8 x 20L & W. | 4 | ----- | 200091 |
| 3 | Tornillo M10 x 20L & SW & W. | 4 | ----- | 200092 |
| 4 | Reductor de Velocidad de 1/4HP 1.5M | 1 | H-1020-00031 | 300031 |
| 5 | Llave de 5 x 20L | 1 | ----- | 300002 |
| 6 | Tornillo M10 x 25L & SW & W. | 4 | ----- | 200093 |
| 7 | Asiento de Ajuste de Motor 1.5M | 1 | ----- | 500034 |
| 8 | Polea del Motor de 4"22 1.5M | 1 | ----- | 500014 |
| 9 | Tornillo de 5/16" x 16L | 2 | ----- | 200116 |
| 10 | Tornillo M10 x 70L | 1 | ----- | 200095 |
| 11 | Tornillo M6 x 12L & W. | 1 | ----- | 200077 |
| 12 | Placa Fija de la Caja del Motor | 1 | ----- | 500083 |
| 13 | Clavija | 2 | ----- | 500087 |
| 14 | Anillo STW-10 | 2 | ----- | 300006 |
| 15 | Asiento de la Plataforma Giratoria 1.5M | 1 | ----- | 600000 |
| 16 | Ensamble del Seguidor de Leva | 1 | H-1287-CAM | 700060 |
| 17 | Anillo STW-17 | 1 | ----- | 300009 |
| 18 | Balero 6203ZZ | 2 | ----- | 300021 |
| 19 | Polea de Bloqueo de la Correa | 1 | ----- | 500011 |
| 20 | Eje de la Polea de Bloqueo de la Correa | 1 | ----- | 500012 |
| 21 | Tornillo M6 x 16L | 3 | H-1020-M6X16 | 200078 |
| 22 | Tornillo M3 x 25L & W. | 2 | ----- | 200098 |
| 23 | Interruptor de Proximidad PS-05N-3M | 1 | H-1020-00641 | 400641 |
| 24 | Asiento Fijo para Interruptor de Proximidad | 1 | H-1020FIXSET | 500013 |
| 25 | Tornillo M4 x 20L | 2 | ----- | 200103 |
| 26 | Tuerca M5 | 6 | ----- | 200128 |
| 27 | Correa (154") | 1 | H-2957-BELT | 300772 |
| 28 | Tornillo M8 x 25L | 4 | H-1287-M8X25 | 200113 |
| 29 | Placa de la Plataforma Giratoria 1.5M | 1 | ----- | 500004 |
| 30 | Tornillo M8 x 20L | 4 | ----- | 200084 |
| 31 | Llanta de 22" | 1 | H-1020-PLYDS | 500007 |
| 32 | Placa de Localización | 1 | ----- | 500006 |
| 33 | Tornillo M5 x 10L & W. | 4 | ----- | 200108 |

PLATAFORMA GIRATORIA DE PERFIL BAJO PARA PELÍCULA ELÁSTICA

| # | DESCRIPCIÓN | CANT. | NO. DE PARTE DE ULINE | NO. DE PARTE DEL FABRICANTE |
|----|------------------------------------------------|-------|-----------------------|-----------------------------|
| 34 | Placa de Fijación de la Polea | 1 | H-1287-34DS | 500008 |
| 35 | Anillo de la Polea de la Correa | 1 | H-1287-BPSR | 500085 |
| 36 | Anillo RTW-42 | 1 | H-1287-RTW42 | 302145 |
| 37 | Eje de la Polea de la Correa | 1 | H-1287-BPSFT | 500084 |
| 38 | Balero 6004ZZ | 2 | H-1287-604ZZ | 300018 |
| 39 | Anillo STW-20 | 1 | H-1287-STW20 | 300010 |
| 40 | Asiento del Balero de la Polea de la Correa | 1 | H-1287-43 | 500086 |
| 41 | Tornillo M10 x 16L | 4 | ----- | 200088 |
| 42 | Tornillo M4 x 8L & W. | 4 | ----- | 200100 |
| 43 | Cubierta del Motor 1.5M | 1 | ----- | 500081 |
| 44 | Caja del Motor de la Plataforma Giratoria 1.5M | 1 | ----- | 600028 |
| 45 | Tornillo M4 x 8L & W. | 2 | ----- | 200100 |
| | Pedal (No se muestra) | 1 | h-1287-pedal | 403383 |

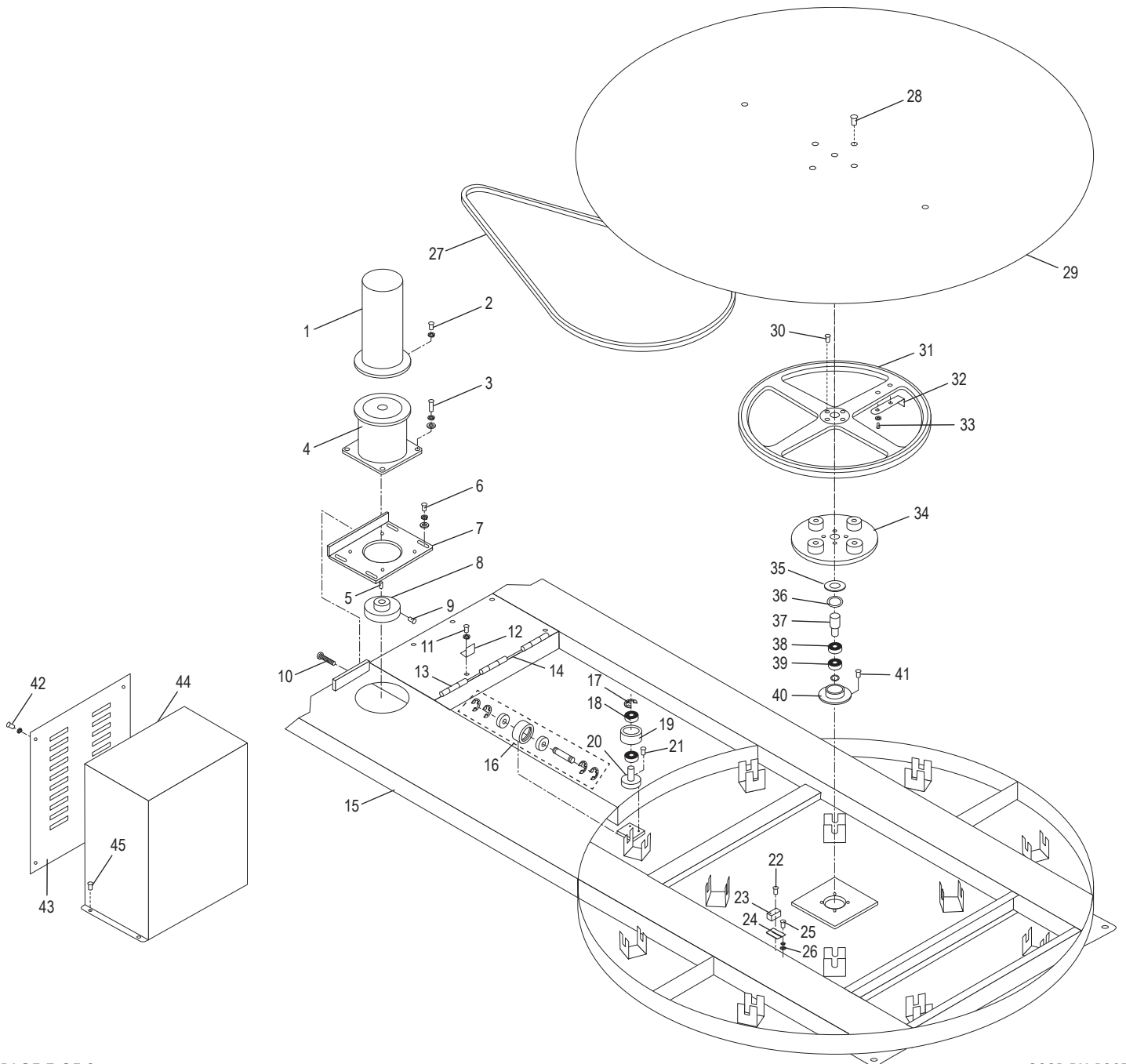
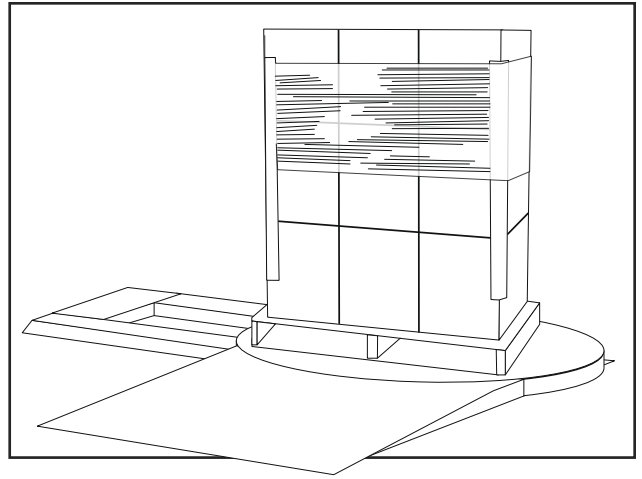
LISTA DE PARTES DEL SISTEMA ELÉCTRICO

| DESCRIPCIÓN | CANT. | NO. DE PARTE DE ULINE | NO. DE PARTE DEL FABRICANTE |
|----------------------------------------|-------|-----------------------|-----------------------------|
| Cubierta | 1 | ----- | 404525 |
| Set de Cordón de 18" | 1 | ----- | 403051 |
| Cable del Interruptor de Pie | 10' | H-2303-10CBL | 403917 |
| Interruptor de Pie de Apoyo | 1 | H-1287-PEDAL | 403383 |
| Cable Eléctrico de 3 Conductores | 2' | ----- | 402394 |
| Agarre del Cordón, M20 | 1 | ----- | 403384 |
| Agarre del Cordón, 1/2" NPT | 3 | ----- | 403790 |
| Tuerca del Agarre del Cordón, 1/2" NPT | 3 | ----- | 403779 |
| Impulsor de Frecuencia, 1/2 HP | 1 | H-1020-FREQ | 408467 |
| Cortacircuitos 10A | 1 | ----- | 404139 |
| Interruptor de Paleta | 1 | ----- | 406096 |

ULINE H-1287

**PLAQUE TOURNANTE
À PROFIL BAS POUR
FILM ÉTIRABLE**

1-800-295-5510
uline.com



**PLAQUE TOURNANTE
À PROFIL BAS POUR
FILM ÉTIRABLE**

| # | DESCRIPTION | QTÉ | RÉF. ULINE | RÉF. DU FABRICANT |
|----|----------------------------------------|-----|--------------|-------------------|
| 1 | Moteur VP3310D 1/4HP 1,5M | 1 | H-1020-37 | 300037 |
| 2 | Vis, M8 x 20L & W. | 4 | ----- | 200091 |
| 3 | Vis M10 x 20L & SW & W. | 4 | ----- | 200092 |
| 4 | Réducteur de vitesse 1/4HP 1,5M | 1 | H-1020-00031 | 300031 |
| 5 | Clé 5 x 20L | 1 | ----- | 300002 |
| 6 | Vis M10 x 25L & SW & W. | 4 | ----- | 200093 |
| 7 | Siège d'ajustement du moteur 1,5M | 1 | ----- | 500034 |
| 8 | Poulie du moteur, 4 po 22 1,5M | 1 | ----- | 500014 |
| 9 | Vis, 5/16 po x 16L | 2 | ----- | 200116 |
| 10 | Vis, M10 x 70L | 1 | ----- | 200095 |
| 11 | Vis, M6 x 12L & W. | 1 | ----- | 200077 |
| 12 | Plaque fixe du compartiment à moteur | 1 | ----- | 500083 |
| 13 | Goupille | 2 | ----- | 500087 |
| 14 | Bague STW-10 | 2 | ----- | 300006 |
| 15 | Siège de la plaque tournante 1,5M | 1 | ----- | 600000 |
| 16 | Ensemble de galet de came | 1 | H-1287-CAM | 700060 |
| 17 | Bague STW-17 | 1 | ----- | 300009 |
| 18 | Roulement 6203ZZ | 2 | ----- | 300021 |
| 19 | Poulie de blocage de courroie | 1 | ----- | 500011 |
| 20 | Arbre de poulie de blocage de courroie | 1 | ----- | 500012 |
| 21 | Vis, M6 x 16L | 3 | H-1020-M6X16 | 200078 |
| 22 | Vis, M3 x 25L & W. | 2 | ----- | 200098 |
| 23 | Commutateur de proximité PS-05N-3M | 1 | H-1020-00641 | 400641 |
| 24 | Siège fixe du commutateur de proximité | 1 | H-1020FIXSET | 500013 |
| 25 | Vis, M4 x 20L | 2 | ----- | 200103 |
| 26 | Écrou, M5 | 6 | ----- | 200128 |
| 27 | Courroie (154 po) | 1 | H-2957-BELT | 300772 |
| 28 | Vis, M8 x 25L | 4 | H-1287-M8X25 | 200113 |
| 29 | Plaque tournante 1,5M | 1 | ----- | 500004 |
| 30 | Vis, M8 x 20L | 4 | ----- | 200084 |
| 31 | Roue de 55,9 cm (22 po) | 1 | H-1020-PLYDS | 500007 |
| 32 | Plaque de centrage | 1 | ----- | 500006 |
| 33 | Vis, M5 x 10L & W. | 4 | ----- | 200108 |

**PLAQUE TOURNANTE
À PROFIL BAS POUR
FILM ÉTIRABLE**

| # | DESCRIPTION | QTÉ | RÉF. ULINE | RÉF. DU FABRICANT |
|----|---------------------------------------------------|-----|--------------|-------------------|
| 34 | Plaque de fixation de la poulie | 1 | H-1287-34DS | 500008 |
| 35 | Anneau du siège de poulie de courroie | 1 | H-1287-BPSR | 500085 |
| 36 | Anneau RTW-42 | 1 | H-1287-RTW42 | 302145 |
| 37 | Arbre de poulie de courroie | 1 | H-1287-BPSFT | 500084 |
| 38 | Roulement 6004ZZ | 2 | H-1287-604ZZ | 300018 |
| 39 | Bague STW-20 | 1 | H-1287-STW20 | 300010 |
| 40 | Siège de roulement de la poulie de courroie | 1 | H-1287-43 | 500086 |
| 41 | Vis, M10 x 16L | 4 | ----- | 200088 |
| 42 | Vis, M4 x 8L & W. | 4 | ----- | 200100 |
| 43 | Couvercle du moteur 1,5M | 1 | ----- | 500081 |
| 44 | Compartiment à moteur de la plaque tournante 1,5M | 1 | ----- | 600028 |
| 45 | Vis, M4 x 8L & W. | 2 | ----- | 200100 |
| | Pédale (non illustrée) | 1 | h-1287-pedal | 403383 |

LISTE DES PIÈCES DU SYSTÈME ÉLECTRIQUE

| DESCRIPTION | QTÉ | RÉF. ULINE | RÉF. DU FABRICANT |
|-----------------------------------------------|--------------|--------------|-------------------|
| Boîtier | 1 | ----- | 404525 |
| Ensemble du cordon, 5,5 m (18 pi) | 1 | ----- | 403051 |
| Câble d'interrupteur au pied | 3 m (10 pi) | H-2303-10CBL | 403917 |
| Interrupteur au pied, entretenu | 1 | H-1287-PEDAL | 403383 |
| Câble d'alimentation, trois conducteurs | 61 cm (2 pi) | ----- | 402394 |
| Bride de cordon, M20 | 1 | ----- | 403384 |
| Bride de cordon, 1,8 cm (1/2 po) NPT | 3 | ----- | 403790 |
| Écrou de bride de cordon, 1,8 cm (1/2 po) NPT | 3 | ----- | 403779 |
| Variateur de fréquence, 1/2 HP | 1 | H-1020-FREQ | 408467 |
| Disjoncteur, 10 A | 1 | ----- | 404139 |
| Interrupteur à palette | 1 | ----- | 406096 |