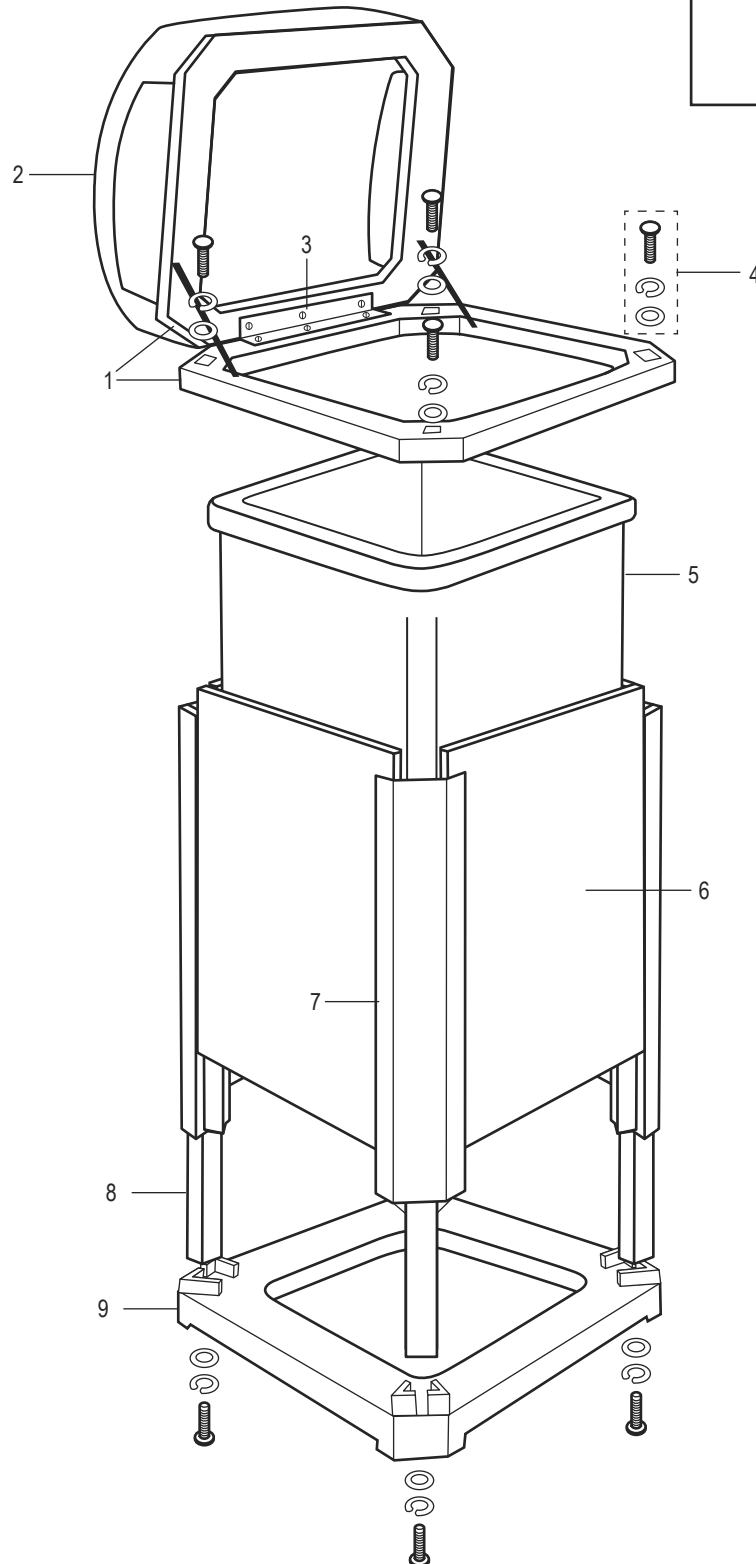
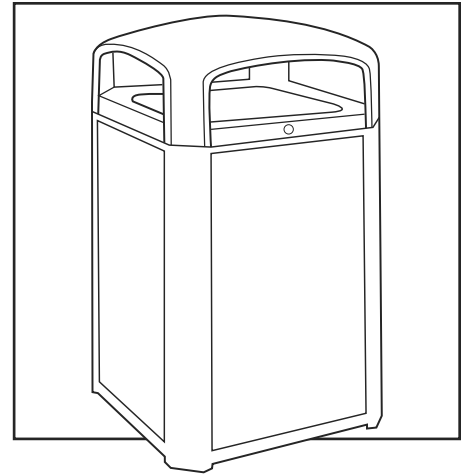


# ULINE H-1209 RUBBERMAID® DOME TOP RECEPTACLE

1-800-295-5510  
uline.com

Para Español, vea páginas 3-4.  
Pour le français, consulter les pages 5-6.



**ULINE** H-1209  
**RUBBERMAID® DOME  
 TOP RECEPTACLE**

1-800-295-5510  
 uline.com

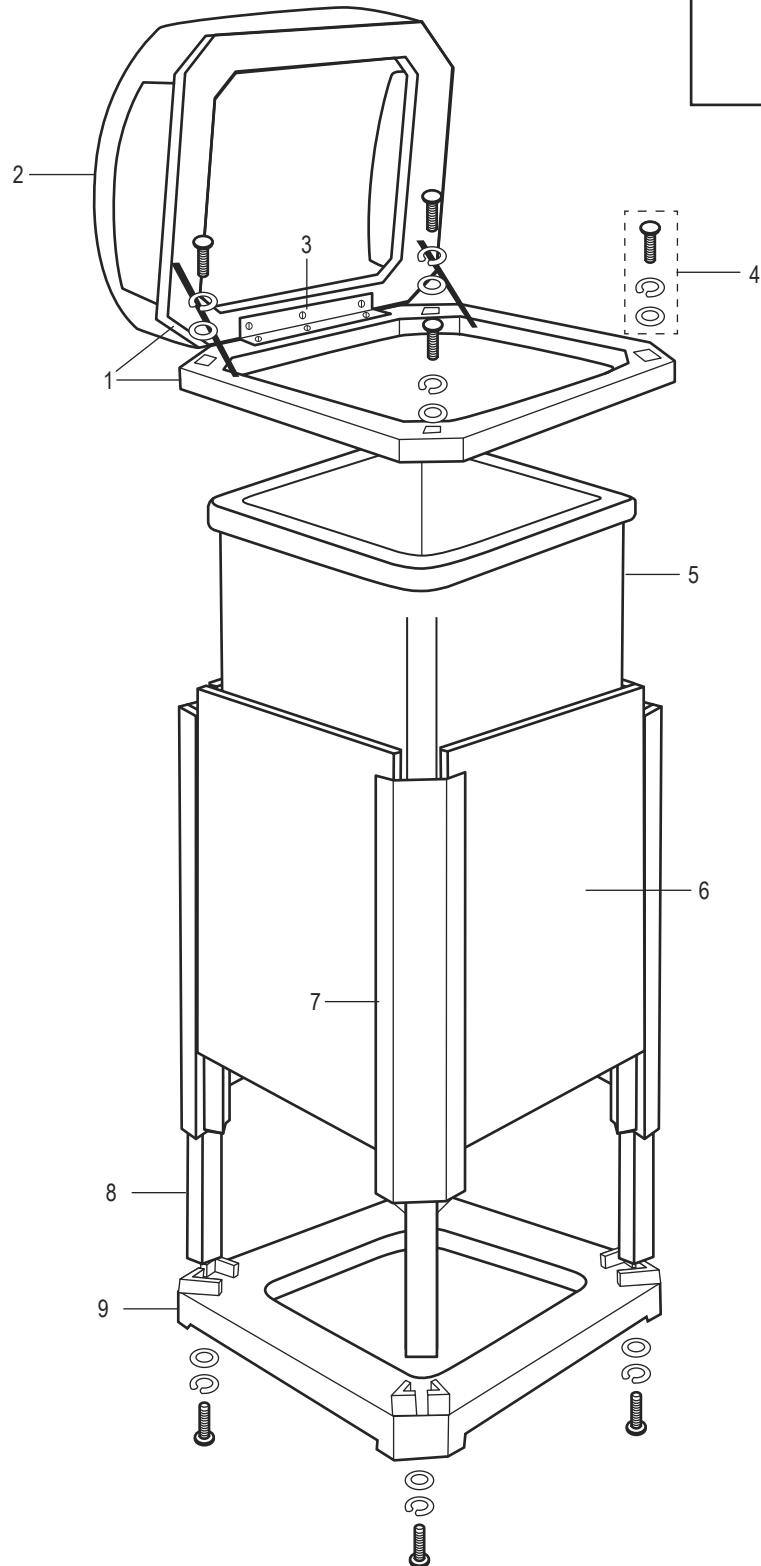
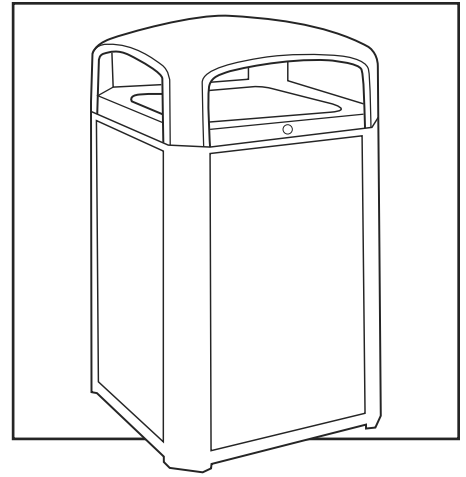
#	DESCRIPTION	QTY.	ULINE PART NO.	MFG. PART NO.
1	Stationary Moving Collar with Hinge – Black	1	-----	FG3975L5BLA
1	Stationary Moving Collar with Hinge – Brown	1	H-1209-MVGNL	FG3962L2SBLE
2	Dome Top – Black	1	H-1209-BLDM	FG3975L1BLA
2	Dome Top – Brown	1	H-1209-DOME	FG3975L1SBLE
3	Hinge	1	H-1209-HINGE	FG3975L90000
4	Hardware Kit	8	H-1209-MPBWW	FG3972L20000
5	Rigid Trash Liner	1	H-2183GR-B	FG395900GRAY
6	Side Panel	4	H-1209-SIDE	FG400400ROCK
7	Plastic Leg – Black	4	-----	FG3975L6BLA
7	Plastic Leg – Brown	4	H-1209-L6	FG3975L6SBLE
8	Metal Leg – Black	4	H-1209-MTLEG	FG3975L7BLA
8	Metal Leg – Brown	4	-----	FG3975L7SBLE
9	Base – Black	1	-----	FG3975L2BLA
9	Base – Brown	1	H-1209BASE	FG3975L2SBLE
	Lock Assembly (Not Shown)	1	H-1209-LOCK	FG3970L40000
	Restraint Strap with Hardware (Not Shown)	1	-----	FG3975L8000



1-800-295-5510  
 uline.com

**ULINE H-1209**  
**RUBBERMAID® BOTE DE**  
**BASURA CON TAPA TIPO**  
**DOMO**

800-295-5510  
uline.mx



**ULINE H-1209**  
**RUBBERMAID® BOTE DE**  
**BASURA CON TAPA TIPO**  
**DOMO**

800-295-5510  
 uline.mx

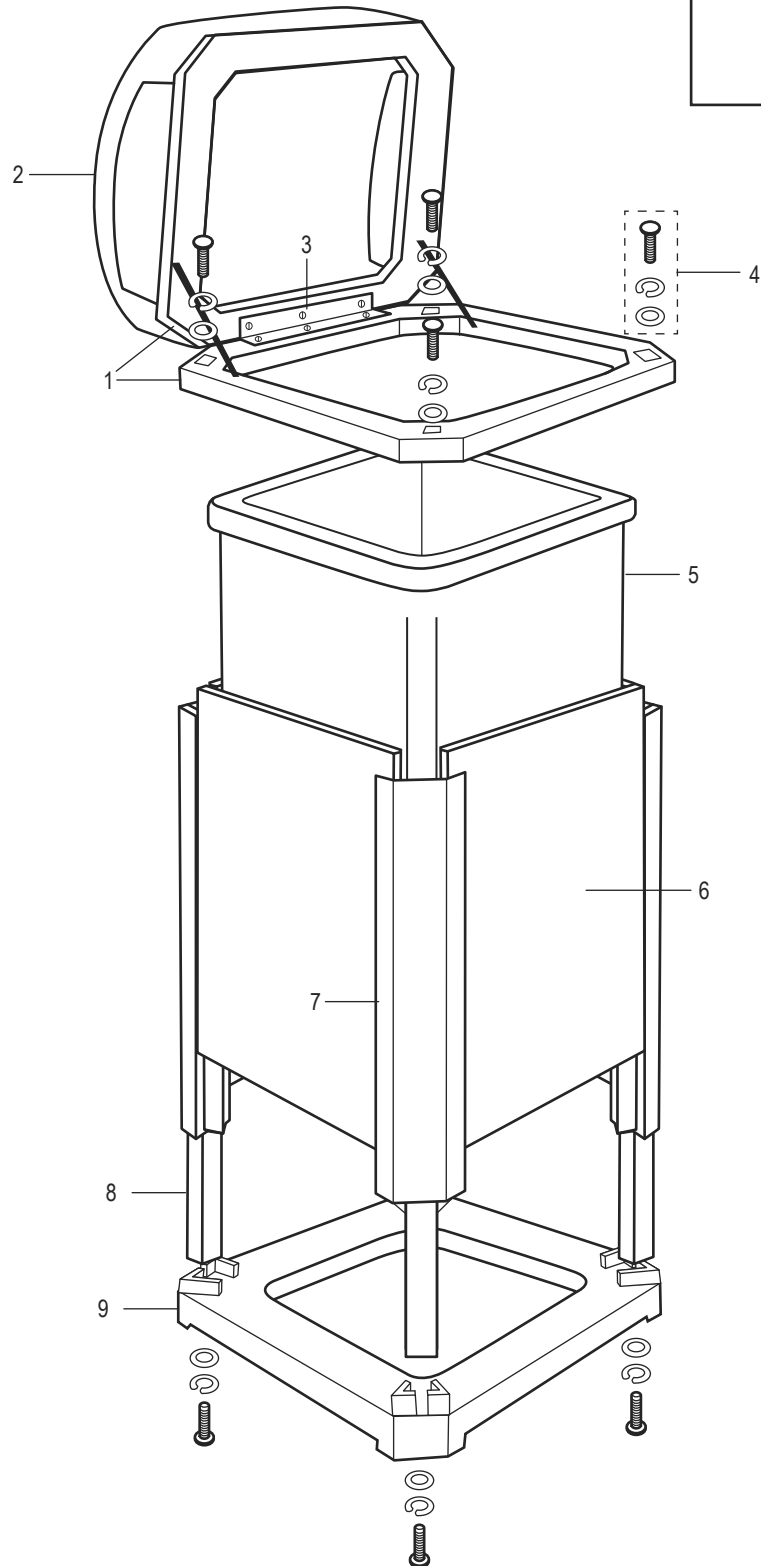
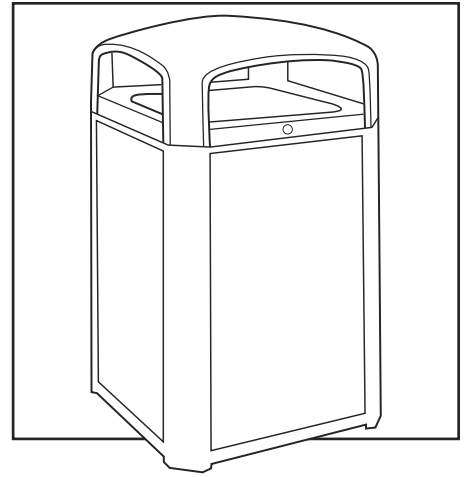
#	DESCRIPCIÓN	CANT.	NO. DE PARTE DE ULINE.	NO. DE PARTE DEL FABRICANTE
1	Collarín Móvil Fijo con Bisagra - Negro	1	-----	FG3975L3BLA
1	Collarín Móvil Fijo con Bisagra - Café	1	H-1209-MVGNL	FG3975L3SBLE
2	Tapa tipo Domo - Negra	1	-----	FG3975M2BLA
2	Tapa tipo Domo - Café	1	H-1210-M2SBL	FG3975M2SSBLE
3	Bisagra	1	H-1209-HINGE	FG3975L90000
4	Kit de Tornillería	8	H-1209-MPBWW	FG3972L20000
5	Revestimiento Rígido para Basura	1	H-2183GR-B	FG395900GRAY
6	Panel Lateral	4	H-1209-SIDE	400400 ROCK
7	Pata de Plástico - Negra	4	-----	FG3975L6BLA
7	Pata de Plástico - Café	4	H-1209-L6	FG3975L6SBLE
8	Pata de Metal - Negra	4	H-1209-MTLEG	3975-L7
8	Pata de Metal - Café			
9	Base - Negra	1	-----	FG3975L2BLA
9	Base - Café	1	H-1209BASE	FG3975L2SBLE
	Cerradura y Llave (No Se Muestran)	1	H-1210-ASH	3975M3
	Correa de Sujeción con Tornillería (No Se Muestra)	1	H-1209-LOCK	3970L4



800-295-5510  
 uline.mx

**ULINE H-1209**  
**RUBBERMAID<sup>MD</sup> – RÉCIPIENT**  
**AVEC COUVERCLE DÔME**

1-800-295-5510  
uline.ca



**ULINE** H-1209  
**RUBBERMAID<sup>MD</sup> – RÉCIPIENT  
 AVEC COUVERCLE DÔME**

1-800-295-5510  
 uline.ca

#	DESCRIPTION	QTÉ	RÉF. ULINE	RÉF. DU FABRICANT
1	Col mobile fixe avec charnière – Noir	1	-----	FG3975L5BLA
1	Col mobile fixe avec charnière – Brun	1	H-1209-MVGNL	FG3962L2SBLE
2	Couvercle dôme – Noir	1	H-1209-BLDM	FG3975L1BLA
2	Couvercle dôme – Brun	1	H-1209-DOME	FG3975L1SBLE
3	Charnière	1	H-1209-HINGE	FG3975L90000
4	Ensemble de matériel d'installation	8	H-1209-MPBWW	FG3972L20000
5	Doublure rigide	1	H-2183GR-B	FG395900GRAY
6	Panneau latéral	4	H-1209-SIDE	FG400400ROCK
7	Patte en plastique – Noir	4	-----	FG3975L6BLA
7	Patte en plastique – Brun	4	H-1209-L6	FG3975L6SBLE
8	Patte en métal – Noir	4	H-1209-MTLEG	FG3975L7BLA
8	Patte en métal – Brun	4	-----	FG3975L7SBLE
9	Socle – Noir	1	-----	FG3975L2BLA
9	Socle – Brun	1	H-1209BASE	FG3975L2SBLE
	Ensemble de verrou (non illustré)	1	H-1209-LOCK	FG3970L40000
	Sangle de fixation avec matériel d'installation (non illustré)	1	-----	FG3975L8000

**ULINE**

1-800-295-5510  
 uline.ca