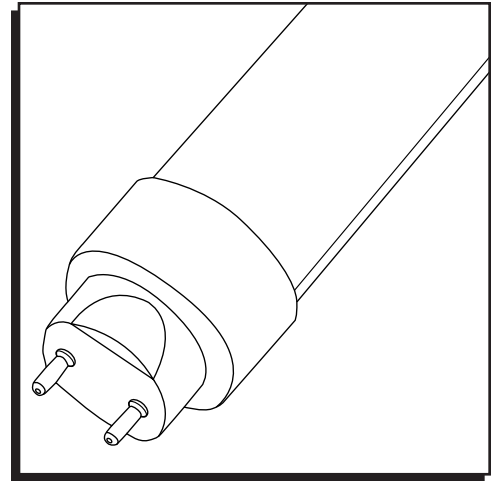


# ULINE S-23249, S-23250 PLASTIC LED LIGHT BULBS

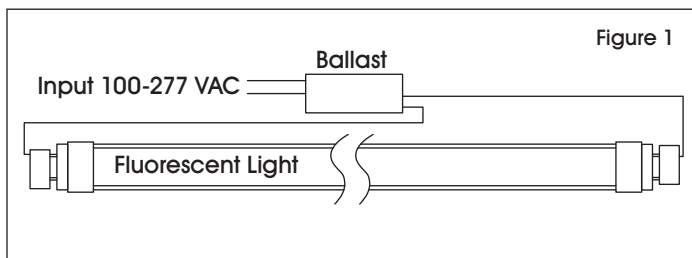
1-800-295-5510  
uline.com



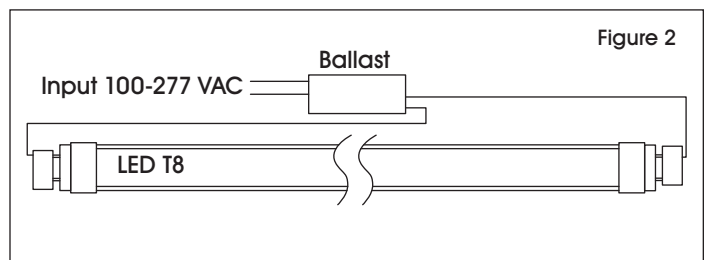
## INSTALLATION

### RETROFIT PROCEDURE WITH INSTANT START ELECTRONIC BALLAST

1. Turn off the power before installation.
2. Open the diffuser from the light fixture and remove the fluorescent tubes. Please dispose of these items properly, as they contain mercury. (See Figure 1)



3. Install the LED tubes into the lighting fixture and close the diffuser. (See Figure 2)



4. Turn on the power.



**NOTE:** May not be compatible with all ballasts. See Ballast Compatibility on pages 2 and 3 for more information.

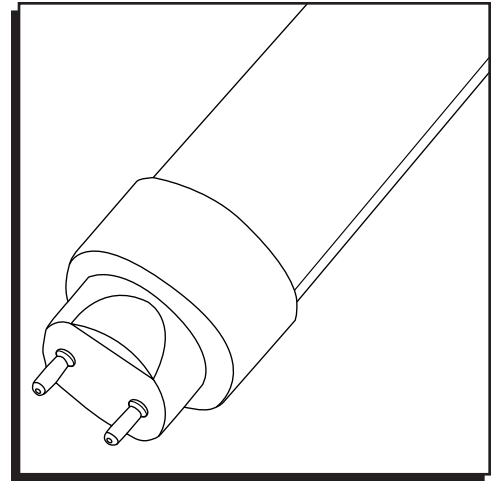
## BALLAST COMPATIBILITY

MANUFACTURER	BALLAST MODEL	COMPATIBILITY
Osram Sylvania	QHE1X32T8/347 ISL-SC	Certified
Osram Sylvania	QHE1X32T8/347 ISN-SC	Certified
Osram Sylvania	QHE1X32T8/UNV ISH-HT-SC	Certified
Osram Sylvania	QHE1X32T8/UNV ISL-SC	Certified
Osram Sylvania	QHE1X32T8/UNV ISN-SC	Certified
Osram Sylvania	QHE1X32T8/UNV ISN-SC-1	Certified
Osram Sylvania	QHE1x32T8/UNV DIM-TC	Certified
Osram Sylvania	QHE1XLEDT8/UNV ISL-SC	Certified
Osram Sylvania	QHE1XLEDT8/UNV ISN-SC	Certified
Philips Advance	IOPA-1P32-N	Certified
Philips Advance	IZT-132-SC	Certified
General Electric	GE-132-MAX-L/ULTRA	Certified
General Electric	GE-132-MAX-N/ULTRA	Certified
Osram Sylvania	QHE2XLEDT8/UNV ISL-SC	Certified
Osram Sylvania	QHE2XLEDT8/UNV ISN-SC	Certified
Osram Sylvania	QHE2X32T8/347 ISL-SC	Certified
Osram Sylvania	QHE2X32T8/347 ISN-SC	Certified
Osram Sylvania	QHE2X32T8/UNV ISH-HT-SC	Certified
Osram Sylvania	QHE2X32T8/UNV ISH-HT-SC-1	Certified
Osram Sylvania	QHE2X32T8/UNV ISL-SC	Certified
Osram Sylvania	QHE2X32T8/UNV ISL-SC-1	Certified
Osram Sylvania	QHE2X32T8/UNV ISN-SC	Certified
Osram Sylvania	QHE2X32T8/UNV ISN-SC-1	Certified
Osram Sylvania	QHE2X32T8/UNV PSH-HT	Certified
Osram Sylvania	QHE2X32T8/UNV PSN-MC	Certified
Osram Sylvania	QHE2x32T8/UNV DIM-TC	Certified
Philips Advance	ICN-2P32-N	Certified
Philips Advance	IOP-2PSP32-N	Certified
Philips Advance	IOPA-2P32-N	Certified
Philips Advance	IOP-2PSP32-N	Certified
Philips Advance	IZT-2S32-SC	Certified
Philips Advance	REZ-2S32-SC	Certified
General Electric	GE-232-MV-PSH-V03	Certified
General Electric	GE-232-MV-PSN-V03	Certified
General Electric	GE-232-MAX347-N	Certified
General Electric	GE-232-MAX-H/ULTRA	Certified (De-Lamp not allowed)
General Electric	GE-232-MAX-L/ULTRA	Certified
General Electric	GE-232-MAX-N/ULTRA	Certified
General Electric	GE-232-MV-N	Certified
General Electric	GE-232-MV-PS-H	Certified (De-Lamp not allowed)
General Electric	GE-232-MV-PS-N	Certified
Osram Sylvania	QHE3XLEDT8/UNV ISL-SC	Certified
Osram Sylvania	QHE3XLEDT8/UNV ISN-SC	Certified
Osram Sylvania	QHE3X32T8/347 ISL-SC	Certified
Osram Sylvania	QHE3X32T8/347 ISN-SC	Certified

## BALLAST COMPATIBILITY CONTINUED

MANUFACTURER	BALLAST MODEL	COMPATIBILITY
Osram Sylvania	QHE3X32T8/UNV ISL-SC	Certified
Osram Sylvania	QHE3X32T8/UNV ISN-SC	Certified
Osram Sylvania	QHE3X32T8/UNV ISN-SC-1	Certified
Osram Sylvania	QHE3X32T8/UNV PSN-SC	Certified
Osram Sylvania	QHE3x32T8/UNV DIM-TCL	Certified
Philips Advance	IOP-3PSP32-SC	Certified
Philips Advance	IOPA-3P32-N	Certified
Philips Advance	IOP-3PSP32-LW-SC	Certified
Philips Advance	IOP-3PSP32-SC	Certified
Philips Advance	REZ-3S32-SC	Certified
General Electric	GE-332-MAX-H/ULTRA	Certified (De-Lamp not allowed)
General Electric	GE-332-MAX-L/ULTRA	Certified
General Electric	GE-332-MAX-N/ULTRA	Certified
General Electric	GE-332-MV-PS-H	Certified (De-Lamp not allowed)
General Electric	GE-332-MV-PS-N	Certified
General Electric	GE-332-MV-PS-XL	Certified
Osram Sylvania	QHE4XLEDT8/UNV ISL-SC	Certified
Osram Sylvania	QHE4XLEDT8/UNV ISN-SC	Certified
Osram Sylvania	QHE4X32T8/347 ISL-SC	Certified
Osram Sylvania	QHE4X32T8/347 ISN-SC	Certified
Osram Sylvania	QHE4X32T8/UNV ISL-SC	Certified
Osram Sylvania	QHE4X32T8/UNV ISL-SC-1	Certified
Osram Sylvania	QHE4X32T8/UNV ISN-SC	Certified
Osram Sylvania	QHE4X32T8/UNV ISN-SC-1	Certified
Osram Sylvania	QHE4x32T8/UNV DIM-TCL	Certified
Philips Advance	ICN-4P32-N	Certified
Philips Advance	IOP-4PSP32-LW-SC	Certified
Philips Advance	IOP-4PSP32-SC	Certified
Philips Advance	IOPA-4P32-LW-N	Certified
Philips Advance	IOPA-4P32-N	Certified
General Electric	GE-432-MAX-H/ULTRA	Certified
General Electric	GE-432-MAX-L/ULTRA	Certified
General Electric	GE-432-MAX-N/ULTRA	Certified
General Electric	GE-432-MV-PS-H	Certified
General Electric	GE-432-MV-PS-L	Certified
General Electric	GE-432-MV-PS-N	Certified
Universal Lighting Technologies	B432IUNVHP-A	Certified

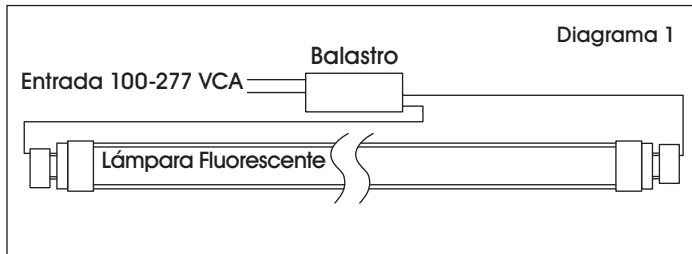
S-23249 and S-23250 and the ballasts listed above have passed internal compatibility tests. Ballasts that do not appear on the list might still be compatible but have not been tested. This list is current as of July 2019.



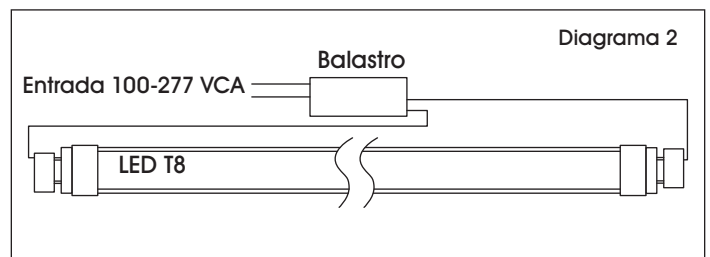
## INSTALACIÓN

### PROCEDIMIENTO DE ADAPTACIÓN A BALASTRO DE ENCENDIDO INSTANTÁNEO

1. Corte la electricidad antes de la instalación.
2. Retire el difusor de la base de la lámpara y saque los tubos fluorescentes. Deseche estos artículos de manera adecuada, ya que contienen mercurio. (Vea Diagrama 1)



3. Instale los tubos LED en la base de la lámpara y cierre el difusor. (Vea Diagrama 2)



4. Restablezca la electricidad.



**NOTA:** Pueden no ser compatibles con todos los balastos. Vea **Compatibilidad de Balastos** en las páginas 5 y 6 para más información.

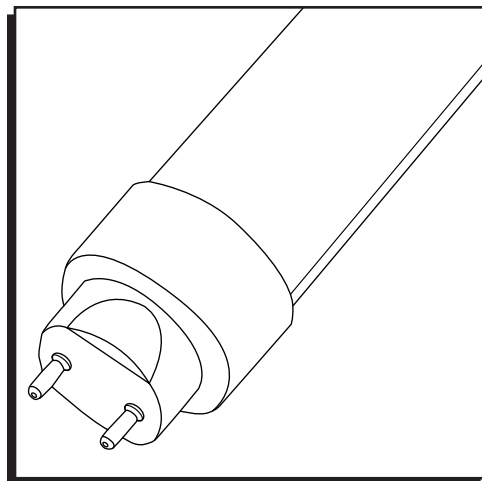
## COMPATIBILIDAD DE BALASTROS

FABRICANTE	MODELO DE BALASTRO	COMPATIBILIDAD
Osram Sylvania	QHE1X32T8/347 ISL-SC	Certificado
Osram Sylvania	QHE1X32T8/347 ISN-SC	Certificado
Osram Sylvania	QHE1X32T8/UNV ISH-HT-SC	Certificado
Osram Sylvania	QHE1X32T8/UNV ISL-SC	Certificado
Osram Sylvania	QHE1X32T8/UNV ISN-SC	Certificado
Osram Sylvania	QHE1X32T8/UNV ISN-SC-1	Certificado
Osram Sylvania	QHE1x32T8/UNV DIM-TC	Certificado
Osram Sylvania	QHE1XLEDT8/UNV ISL-SC	Certificado
Osram Sylvania	QHE1XLEDT8/UNV ISN-SC	Certificado
Philips Advance	IOPA-1P32-N	Certificado
Philips Advance	IZT-132-SC	Certificado
General Electric	GE-132-MAX-L/ULTRA	Certificado
General Electric	GE-132-MAX-N/ULTRA	Certificado
Osram Sylvania	QHE2XLEDT8/UNV ISL-SC	Certificado
Osram Sylvania	QHE2XLEDT8/UNV ISN-SC	Certificado
Osram Sylvania	QHE2X32T8/347 ISL-SC	Certificado
Osram Sylvania	QHE2X32T8/347 ISN-SC	Certificado
Osram Sylvania	QHE2X32T8/UNV ISH-HT-SC	Certificado
Osram Sylvania	QHE2X32T8/UNV ISH-HT-SC-1	Certificado
Osram Sylvania	QHE2X32T8/UNV ISL-SC	Certificado
Osram Sylvania	QHE2X32T8/UNV ISL-SC-1	Certificado
Osram Sylvania	QHE2X32T8/UNV ISN-SC	Certificado
Osram Sylvania	QHE2X32T8/UNV ISN-SC-1	Certificado
Osram Sylvania	QHE2X32T8/UNV PSH-HT	Certificado
Osram Sylvania	QHE2X32T8/UNV PSN-MC	Certificado
Osram Sylvania	QHE2x32T8/UNV DIM-TC	Certificado
Philips Advance	ICN-2P32-N	Certificado
Philips Advance	IOP-2PSP32-N	Certificado
Philips Advance	IOPA-2P32-N	Certificado
Philips Advance	IOP-2PSP32-N	Certificado
Philips Advance	IZT-2S32-SC	Certificado
Philips Advance	REZ-2S32-SC	Certificado
General Electric	GE-232-MV-PSH-V03	Certificado
General Electric	GE-232-MV-PSN-V03	Certificado
General Electric	GE-232-MAX347-N	Certificado
General Electric	GE-232-MAX-H/ULTRA	Certificado (No se permite Lámpara de Doble Terminación)
General Electric	GE-232-MAX-L/ULTRA	Certificado
General Electric	GE-232-MAX-N/ULTRA	Certificado
General Electric	GE-232-MV-N	Certificado
General Electric	GE-232-MV-PS-H	Certificado (No se permite Lámpara de Doble Terminación)
General Electric	GE-232-MV-PS-N	Certificado
Osram Sylvania	QHE3XLEDT8/UNV ISL-SC	Certificado
Osram Sylvania	QHE3XLEDT8/UNV ISN-SC	Certificado
Osram Sylvania	QHE3X32T8/347 ISL-SC	Certificado
Osram Sylvania	QHE3X32T8/347 ISN-SC	Certificado

## CONTINUACIÓN DE COMPATIBILIDAD DE BALASTROS

FABRICANTE	MODELO DE BALASTRO	COMPATIBILIDAD
Osram Sylvania	QHE3X32T8/UNV ISL-SC	Certificado
Osram Sylvania	QHE3X32T8/UNV ISN-SC	Certificado
Osram Sylvania	QHE3X32T8/UNV ISN-SC-1	Certificado
Osram Sylvania	QHE3X32T8/UNV PSN-SC	Certificado
Osram Sylvania	QHE3x32T8/UNV DIM-TCL	Certificado
Philips Advance	IOP-3PSP32-SC	Certificado
Philips Advance	IOPA-3P32-N	Certificado
Philips Advance	IOP-3PSP32-LW-SC	Certificado
Philips Advance	IOP-3PSP32-SC	Certificado
Philips Advance	REZ-3S32-SC	Certificado
General Electric	GE-332-MAX-H/ULTRA	Certificado (No se permite Lámpara de Doble Terminación)
General Electric	GE-332-MAX-L/ULTRA	Certificado
General Electric	GE-332-MAX-N/ULTRA	Certificado
General Electric	GE-332-MV-PS-H	Certificado (No se permite Lámpara de Doble Terminación)
General Electric	GE-332-MV-PS-N	Certificado
General Electric	GE-332-MV-PS-XL	Certificado
Osram Sylvania	QHE4XLEDT8/UNV ISL-SC	Certificado
Osram Sylvania	QHE4XLEDT8/UNV ISN-SC	Certificado
Osram Sylvania	QHE4X32T8/347 ISL-SC	Certificado
Osram Sylvania	QHE4X32T8/347 ISN-SC	Certificado
Osram Sylvania	QHE4X32T8/UNV ISL-SC	Certificado
Osram Sylvania	QHE4X32T8/UNV ISL-SC-1	Certificado
Osram Sylvania	QHE4X32T8/UNV ISN-SC	Certificado
Osram Sylvania	QHE4X32T8/UNV ISN-SC-1	Certificado
Osram Sylvania	QHE4x32T8/UNV DIM-TCL	Certificado
Philips Advance	ICN-4P32-N	Certificado
Philips Advance	IOP-4PSP32-LW-SC	Certificado
Philips Advance	IOP-4PSP32-SC	Certificado
Philips Advance	IOPA-4P32-LW-N	Certificado
Philips Advance	IOPA-4P32-N	Certificado
General Electric	GE-432-MAX-H/ULTRA	Certificado
General Electric	GE-432-MAX-L/ULTRA	Certificado
General Electric	GE-432-MAX-N/ULTRA	Certificado
General Electric	GE-432-MV-PS-H	Certificado
General Electric	GE-432-MV-PS-L	Certificado
General Electric	GE-432-MV-PS-N	Certificado
Universal Lighting Technologies	B432IUNVHP-A	Certificado

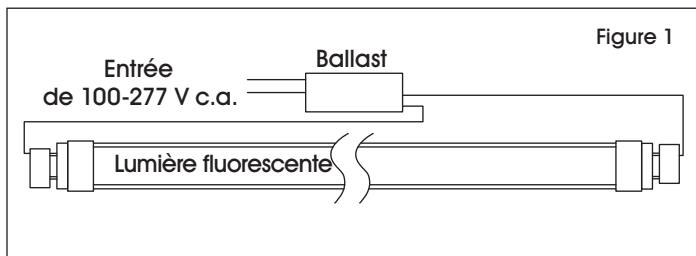
S-23249 y S-23250 y los balastros listados arriba han pasado pruebas internas de compatibilidad. Los balastros que no aparezcan en la lista puede que aun sean compatibles pero no se les han realizados pruebas. Esta lista está vigente al mes de julio del 2019.



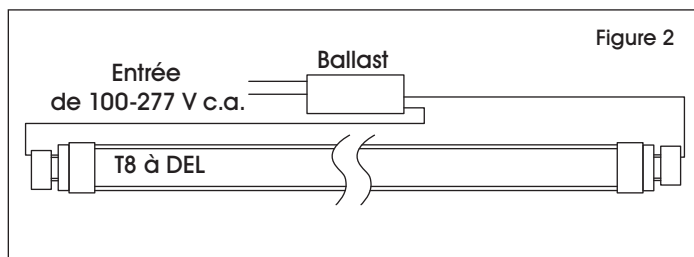
## INSTALLATION

### PROCÉDURE D'INSTALLATION AVEC UN BALLAST ÉLECTRONIQUE À ALLUMAGE INSTANTANÉ

1. Coupez l'alimentation avant l'installation.
2. Ouvrez le diffuseur du luminaire et retirez les tubes fluorescents. Veuillez jeter ces tubes de façon appropriée, car ils contiennent du mercure. (Voir Figure 1)



3. Installez les tubes DEL dans le luminaire et fermez le diffuseur. (Voir Figure 2)



4. Mettez le luminaire sous tension.



**REMARQUE :** Il se peut que le luminaire ne soit pas compatible avec tous les types de ballasts. Consultez la section **Compatibilité des ballasts** à la page 8 et 9 pour de plus amples informations.

## COMPATIBILITÉ DES BALLASTS

FABRICANT	MODÈLE DE BALLAST	COMPATIBILITÉ
Osram Sylvania	QHE1X32T8/347 ISL-SC	Homologué
Osram Sylvania	QHE1X32T8/347 ISN-SC	Homologué
Osram Sylvania	QHE1X32T8/UNV ISH-HT-SC	Homologué
Osram Sylvania	QHE1X32T8/UNV ISL-SC	Homologué
Osram Sylvania	QHE1X32T8/UNV ISN-SC	Homologué
Osram Sylvania	QHE1X32T8/UNV ISN-SC-1	Homologué
Osram Sylvania	QHE1x32T8/UNV DIM-TC	Homologué
Osram Sylvania	QHE1XLEDT8/UNV ISL-SC	Homologué
Osram Sylvania	QHE1XLEDT8/UNV ISN-SC	Homologué
Philips Advance	IOPA-1P32-N	Homologué
Philips Advance	IZT-132-SC	Homologué
General Electric	GE-132-MAX-L/ULTRA	Homologué
General Electric	GE-132-MAX-N/ULTRA	Homologué
Osram Sylvania	QHE2XLEDT8/UNV ISL-SC	Homologué
Osram Sylvania	QHE2XLEDT8/UNV ISN-SC	Homologué
Osram Sylvania	QHE2X32T8/347 ISL-SC	Homologué
Osram Sylvania	QHE2X32T8/347 ISN-SC	Homologué
Osram Sylvania	QHE2X32T8/UNV ISH-HT-SC	Homologué
Osram Sylvania	QHE2X32T8/UNV ISH-HT-SC-1	Homologué
Osram Sylvania	QHE2X32T8/UNV ISL-SC	Homologué
Osram Sylvania	QHE2X32T8/UNV ISL-SC-1	Homologué
Osram Sylvania	QHE2X32T8/UNV ISN-SC	Homologué
Osram Sylvania	QHE2X32T8/UNV ISN-SC-1	Homologué
Osram Sylvania	QHE2X32T8/UNV PSH-HT	Homologué
Osram Sylvania	QHE2X32T8/UNV PSN-MC	Homologué
Osram Sylvania	QHE2x32T8/UNV DIM-TC	Homologué
Philips Advance	ICN-2P32-N	Homologué
Philips Advance	IOP-2PSP32-N	Homologué
Philips Advance	IOPA-2P32-N	Homologué
Philips Advance	IOP-2PSP32-N	Homologué
Philips Advance	IZT-2S32-SC	Homologué
Philips Advance	REZ-2S32-SC	Homologué
General Electric	GE-232-MV-PSH-V03	Homologué
General Electric	GE-232-MV-PSN-V03	Homologué
General Electric	GE-232-MAX347-N	Homologué
General Electric	GE-232-MAX-H/ULTRA	Homologué (Ampoule à double culots non autorisée)
General Electric	GE-232-MAX-L/ULTRA	Homologué
General Electric	GE-232-MAX-N/ULTRA	Homologué
General Electric	GE-232-MV-N	Homologué
General Electric	GE-232-MV-PS-H	Homologué (Ampoule à double culots non autorisée)
General Electric	GE-232-MV-PS-N	Homologué
Osram Sylvania	QHE3XLEDT8/UNV ISL-SC	Homologué
Osram Sylvania	QHE3XLEDT8/UNV ISN-SC	Homologué
Osram Sylvania	QHE3X32T8/347 ISL-SC	Homologué
Osram Sylvania	QHE3X32T8/347 ISN-SC	Homologué



## COMPATIBILITÉ DES BALLASTS SUITE

FABRICANT	MODÈLE DE BALLAST	COMPATIBILITÉ
Osram Sylvania	QHE3X32T8/UNV ISL-SC	Homologué
Osram Sylvania	QHE3X32T8/UNV ISN-SC	Homologué
Osram Sylvania	QHE3X32T8/UNV ISN-SC-1	Homologué
Osram Sylvania	QHE3X32T8/UNV PSN-SC	Homologué
Osram Sylvania	QHE3x32T8/UNV DIM-TCL	Homologué
Philips Advance	IOP-3PSP32-SC	Homologué
Philips Advance	IOPA-3P32-N	Homologué
Philips Advance	IOP-3PSP32-LW-SC	Homologué
Philips Advance	IOP-3PSP32-SC	Homologué
Philips Advance	REZ-3S32-SC	Homologué
General Electric	GE-332-MAX-H/ULTRA	Homologué (Ampoule à double culots non autorisée)
General Electric	GE-332-MAX-L/ULTRA	Homologué
General Electric	GE-332-MAX-N/ULTRA	Homologué
General Electric	GE-332-MV-PS-H	Homologué (Ampoule à double culots non autorisée)
General Electric	GE-332-MV-PS-N	Homologué
General Electric	GE-332-MV-PS-XL	Homologué
Osram Sylvania	QHE4XLEDT8/UNV ISL-SC	Homologué
Osram Sylvania	QHE4XLEDT8/UNV ISN-SC	Homologué
Osram Sylvania	QHE4X32T8/347 ISL-SC	Homologué
Osram Sylvania	QHE4X32T8/347 ISN-SC	Homologué
Osram Sylvania	QHE4X32T8/UNV ISL-SC	Homologué
Osram Sylvania	QHE4X32T8/UNV ISL-SC-1	Homologué
Osram Sylvania	QHE4X32T8/UNV ISN-SC	Homologué
Osram Sylvania	QHE4X32T8/UNV ISN-SC-1	Homologué
Osram Sylvania	QHE4x32T8/UNV DIM-TCL	Homologué
Philips Advance	ICN-4P32-N	Homologué
Philips Advance	IOP-4PSP32-LW-SC	Homologué
Philips Advance	IOP-4PSP32-SC	Homologué
Philips Advance	IOPA-4P32-LW-N	Homologué
Philips Advance	IOPA-4P32-N	Homologué
General Electric	GE-432-MAX-H/ULTRA	Homologué
General Electric	GE-432-MAX-L/ULTRA	Homologué
General Electric	GE-432-MAX-N/ULTRA	Homologué
General Electric	GE-432-MV-PS-H	Homologué
General Electric	GE-432-MV-PS-L	Homologué
General Electric	GE-432-MV-PS-N	Homologué
Universal Lighting Technologies	B432IUNVHP-A	Homologué

Le S-23249, le S-23250 et les ballasts énumérés ci-dessus ont passé des tests de compatibilité internes. Les ballasts non énumérés peuvent être tout de même compatibles, mais n'ont pas été testés. La mise à jour de cette liste est en date du mois d'juillet 2019.