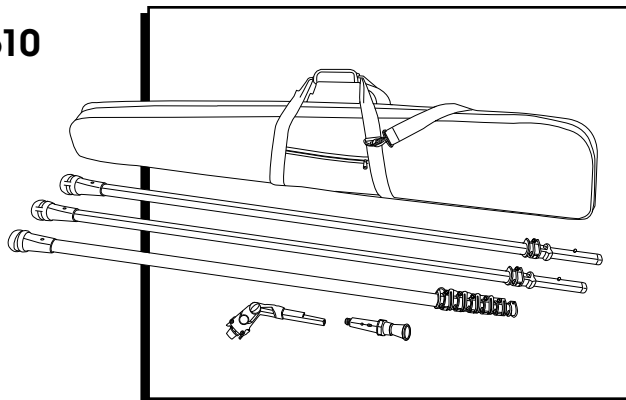


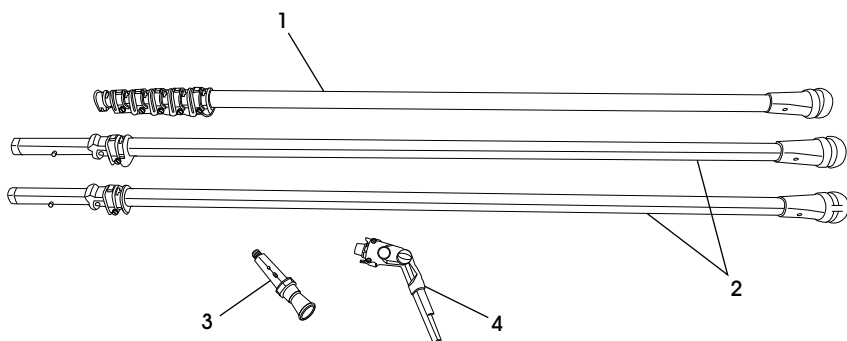
ULINE H-9975, H-9976

**TELESCOPIC POLE KIT
AND OPTIONAL HYDROPOWER
TANK AND BRUSH ASSEMBLY**

1-800-295-5510
uline.com



PARTS



PARTS

#	DESCRIPTION	QTY.
1	6-Section Main Pole	1
2	2-Section Extension Pole	2
3	Tool Adapter	1
4	Gooseneck Attachment	1

ASSEMBLY

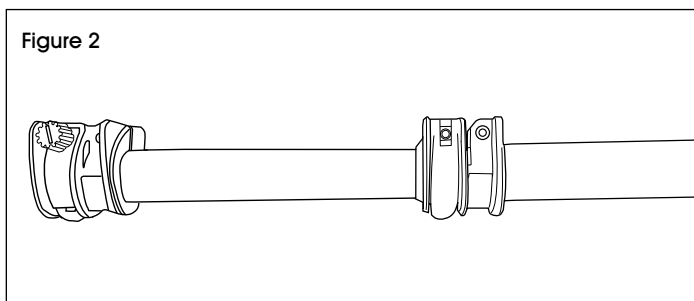
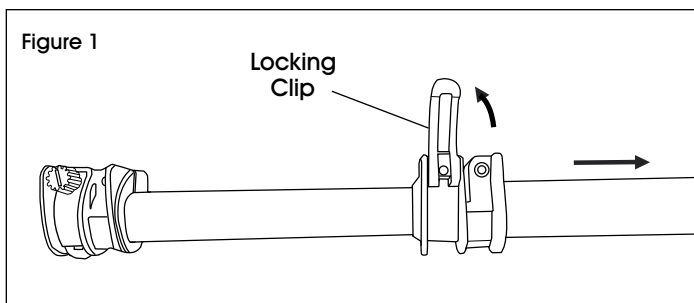


NOTE: Do not fully extend the main telescopic pole laying flat on the ground. Always extend pole vertically into the air.




NOTE: Always start with main pole. If a longer length is required once main pole is fully extended, add each extension pole at the bottom, extending main pole further up into the air.

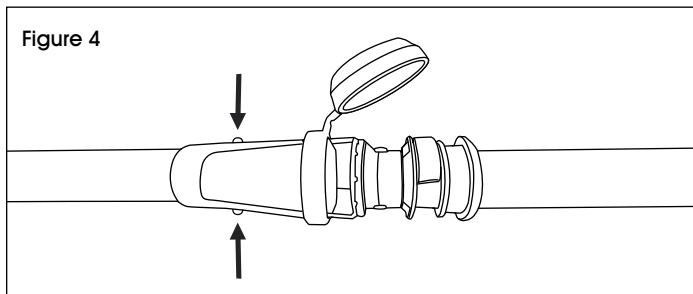
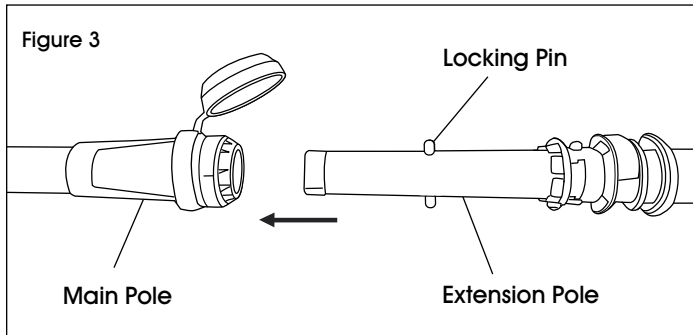
1. To extend telescopic pole, flip open each locking clip and pull out the nested extension. Close locking clip. (See Figures 1-2)




ASSEMBLY CONTINUED

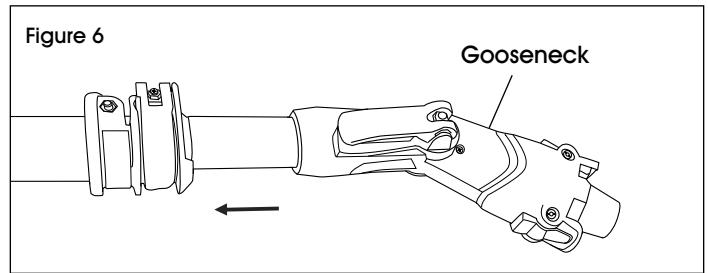
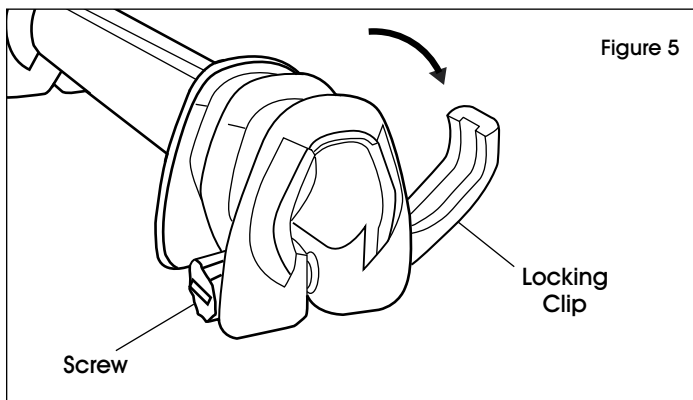
2. Main pole must be extended first before an extension pole can be added. To add an extension pole, insert top of the extension pole into bottom of the main pole.


 **NOTE:** Extension pole is fully inserted when the yellow locking pins click into place. (See Figures 3-4)

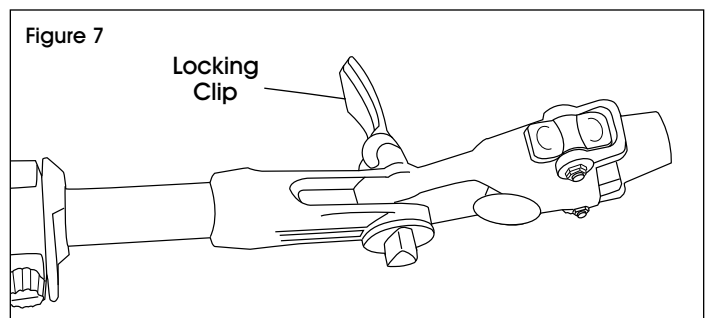


 **NOTE:** To attach dusting or squeegee tools to telescopic pole, gooseneck attachment and tool adapter must first be attached to the top of main pole.

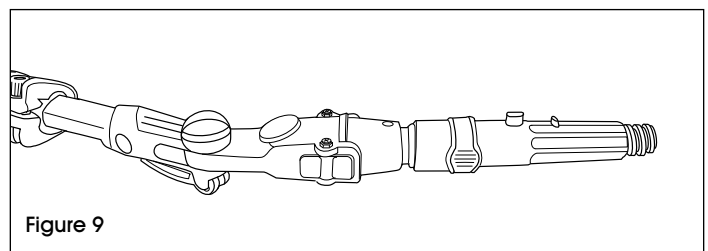
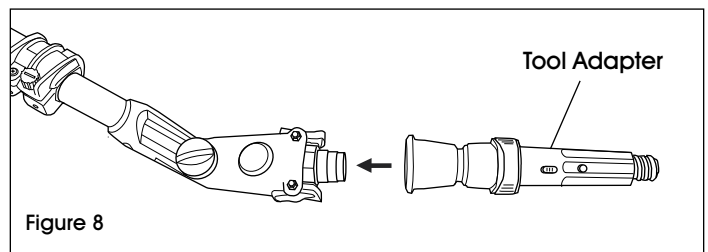
3. To attach gooseneck, flip open the locking clip at the top of main pole, and loosen the connection as needed by adjusting screw. Insert the gooseneck into the pole. Close the locking clip and tighten screw. (See Figures 5-6)




 **NOTE:** Gooseneck can be bent 180 degrees. To adjust the angle, flip open locking clip, bend gooseneck to desired position and close locking clip. (See Figure 7)

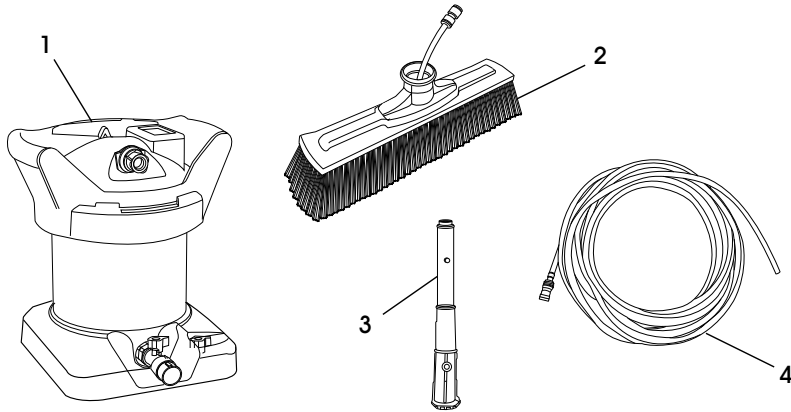


4. Press tool adapter onto gooseneck. It will click into place. (See Figures 8-9)



 **NOTE:** To convert this telescopic pole into a water-fed pole for window cleaning, attach optional Hydropower Tank and Brush (Uline model # H-9976) assembly. See pages 3-5.

OPTIONAL HYDROPOWER TANK AND BRUSH ASSEMBLY PARTS

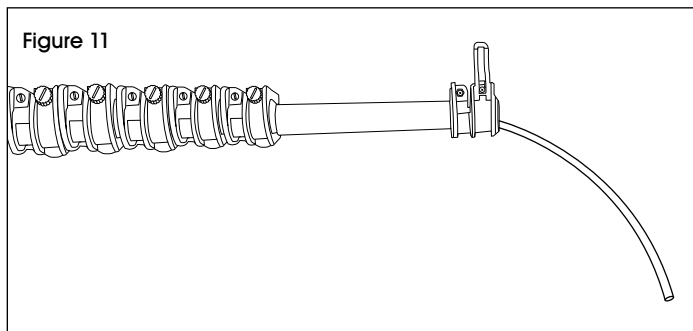
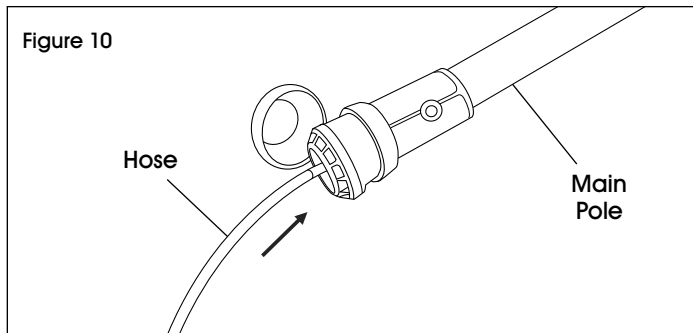


PARTS

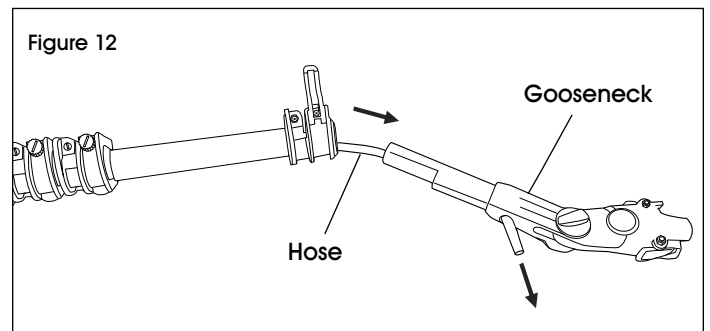
#	DESCRIPTION	QTY.
1	Ultra-Pure Resin Filter Tank	1
2	Power Brush	1
3	Extension Adapter	1
4	82' Hose	1

ASSEMBLY

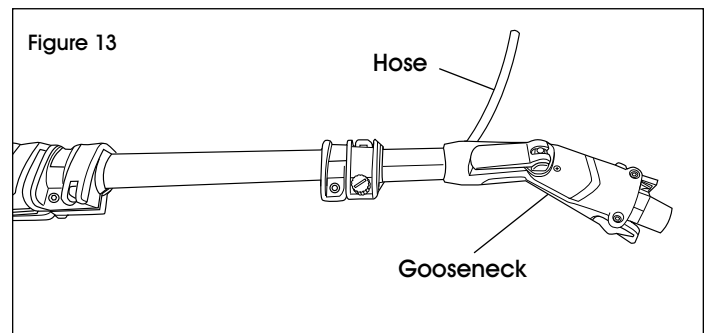
1. Route hose internally through main pole.
2. Remove gooseneck. Feed hose through base of the main pole up and through the top. (See Figures 10-11)



3. Thread hose through the hole in gooseneck. (See Figure 12)



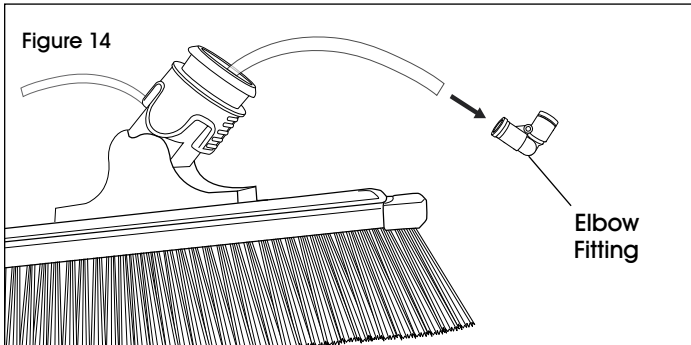
4. Re-attach gooseneck. (See Figure 13)




ASSEMBLY CONTINUED

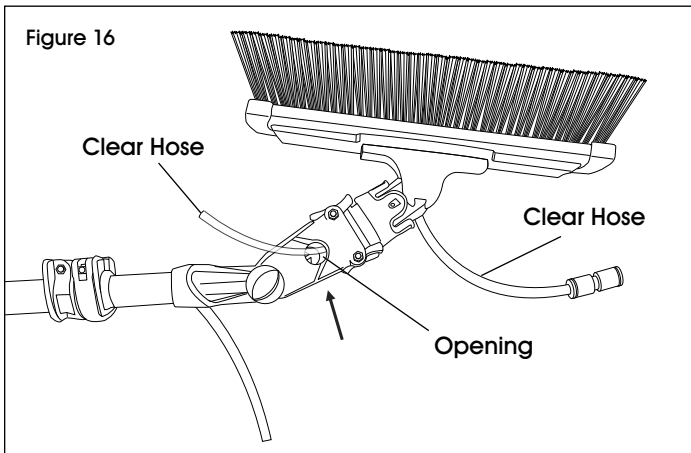
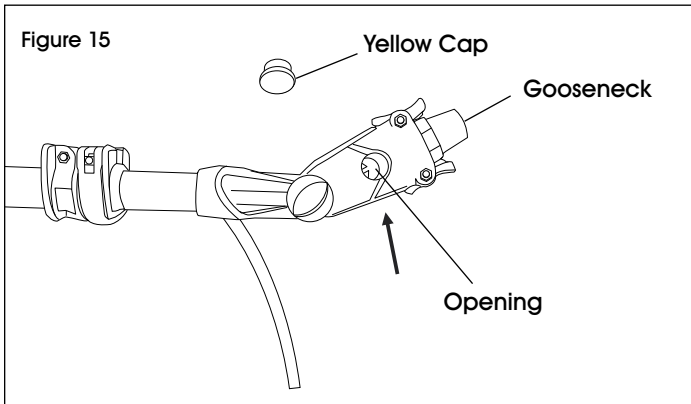
ATTACHING BRUSH

1. Remove elbow fitting from the clear hose in the brush neck. (See Figure 14)

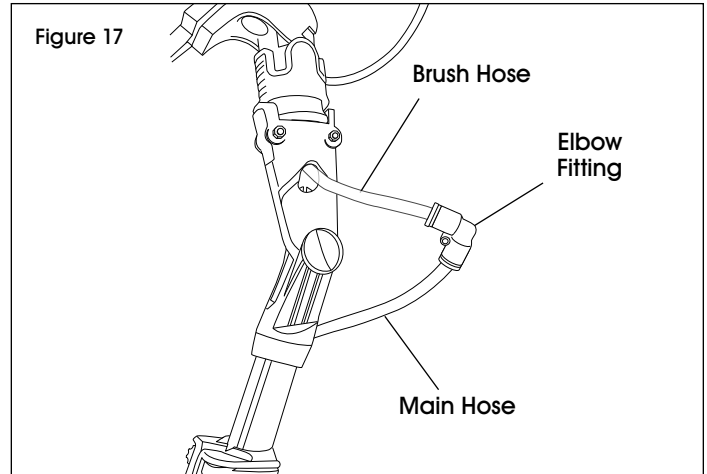


2. Route clear hose through the gooseneck and out the side opening (remove the yellow cap to expose the opening). Attach brush to the gooseneck by clicking it into place. (See Figures 15-16)


 **NOTE:** This brush has two clear hoses. Either can be connected to the main hose, depending on where the water flow is desired.

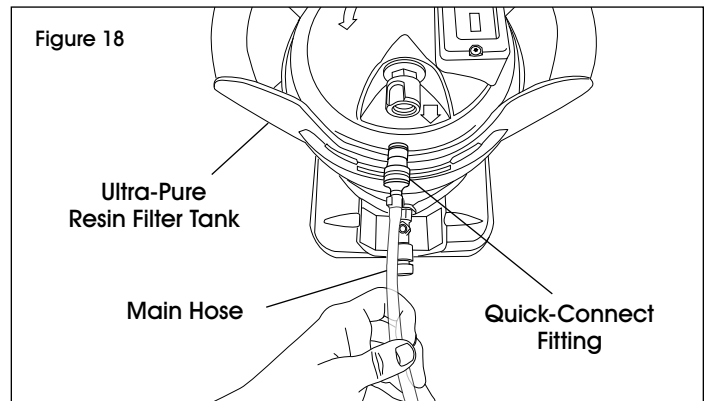


3. Connect brush hose and main hose with the elbow fitting. (See Figure 17)

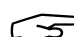


4. Attach the other end of the main hose to the ultra-pure resin filter tank. (See Figure 18)

 **NOTE:** The hose connects at the top of the tank, by connecting the quick-connect fitting. The fitting at the base of the tank connects to a garden hose.

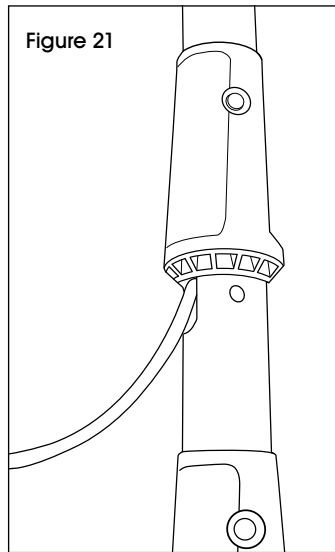
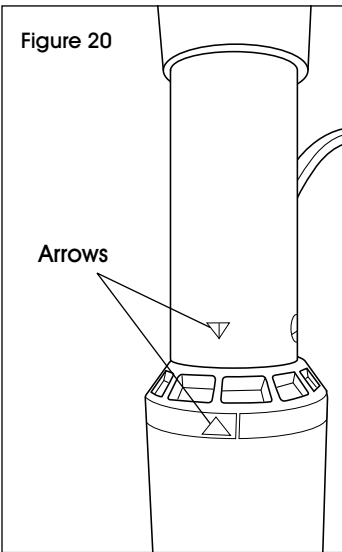
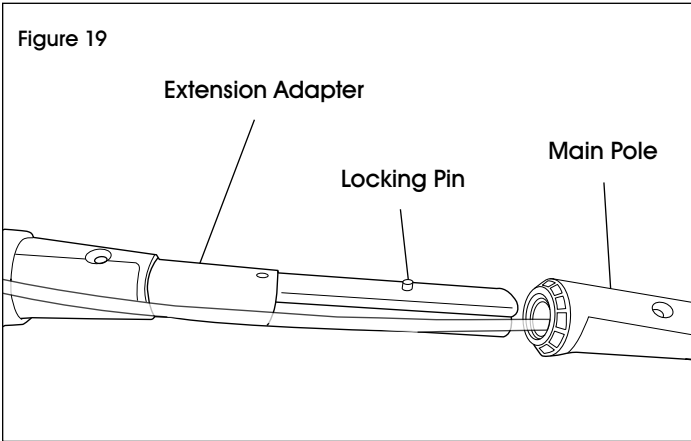


5. If extension poles are needed while using the pole with ultra-pure resin filter tank and brush assembly, the extension adapter must be used. This allows an extension pole to connect to main pole without disrupting the hose. The hose will remain internally routed through main pole but will hang externally from the extension adapter for the length of extension pole.

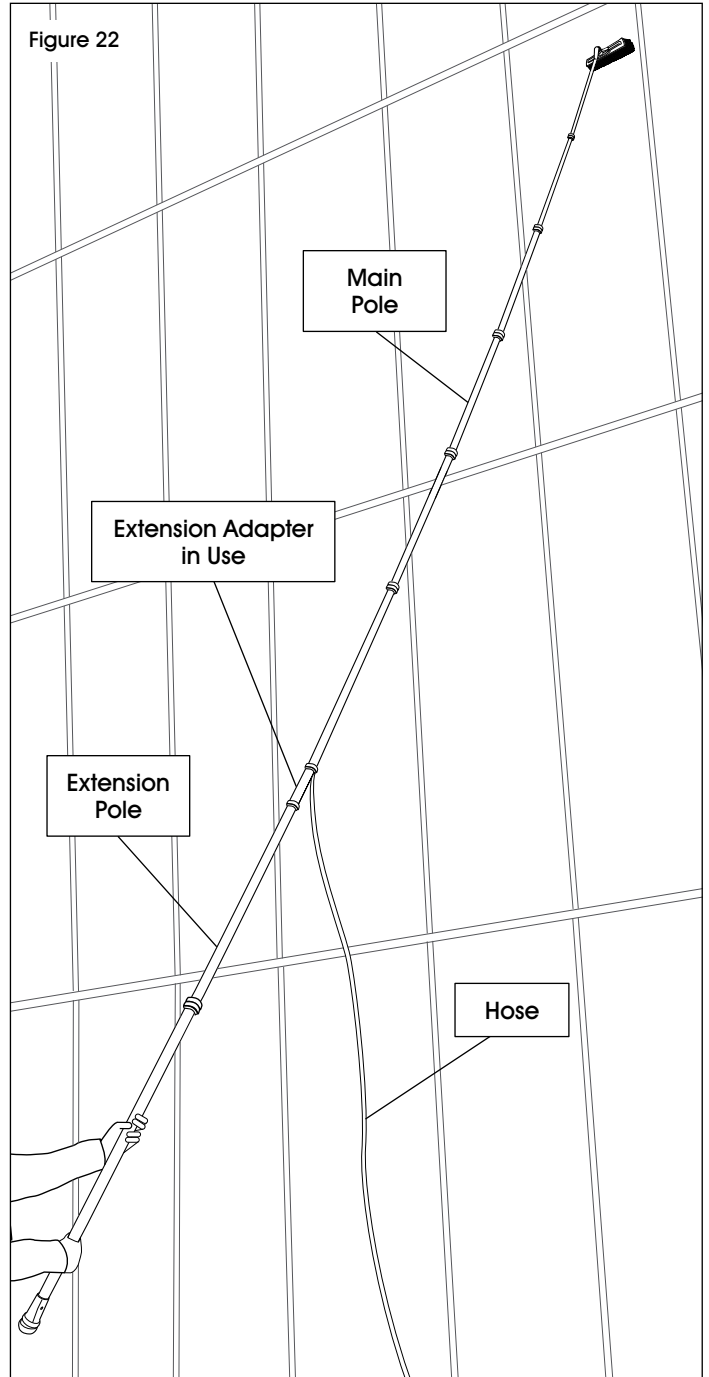
 **NOTE:** Extension adapter is grooved to allow space for hose. Ensure hose is placed in the groove when inserting the extension adapter.

ASSEMBLY CONTINUED

6. To insert extension adapter into main pole, align the arrows and push into place until locking pins click into place. (See Figures 19-21)



 **NOTE:** Figure 22 shows unit properly assembled.



ULINE

1-800-295-5510
uline.com