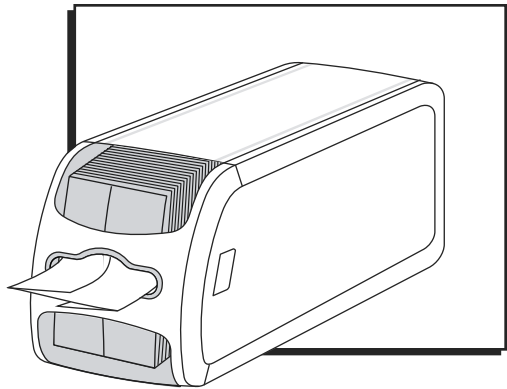



ULINE H-9504 TORK® XPRESSNAP® FIT™ COUNTER NAPKIN DISPENSER

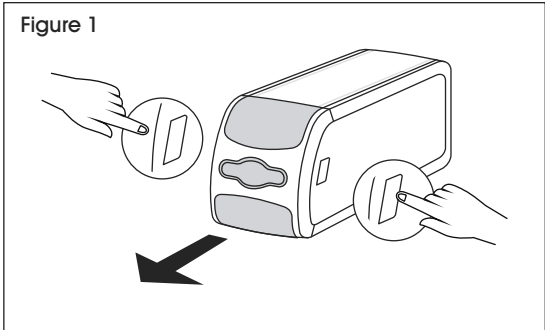
1-800-295-5510
uline.com



LOADING

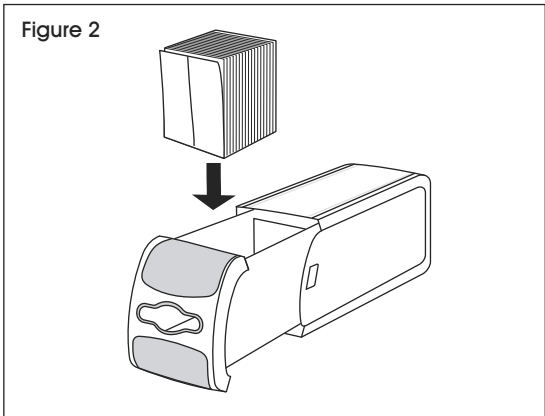
 **NOTE:** Use dispenser with Tork® Xpressnap® Fit™ napkins (S-24380 and S-24381) only. Universal napkins will not dispense effectively from dispenser.

1. To open dispenser, press tabs on each side of dispenser and pull open. (See Figure 1)

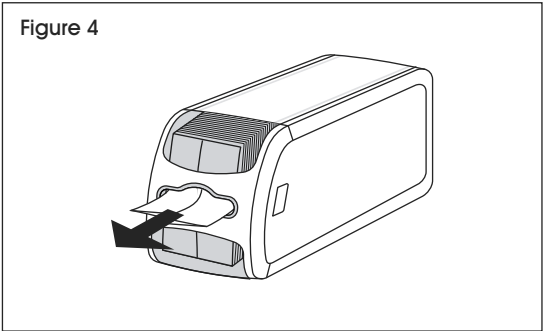
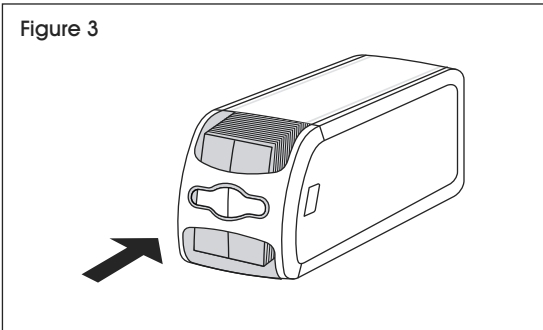


2. Load napkins into dispenser. Start the first napkin through dispensing section. (See Figure 2)

 **NOTE:** Dispenser holds up to 648 napkins at a time. Do not overfill.

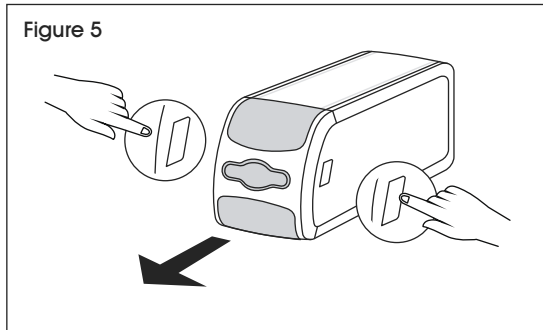


3. Close door and begin dispensing. (See Figures 3-4)

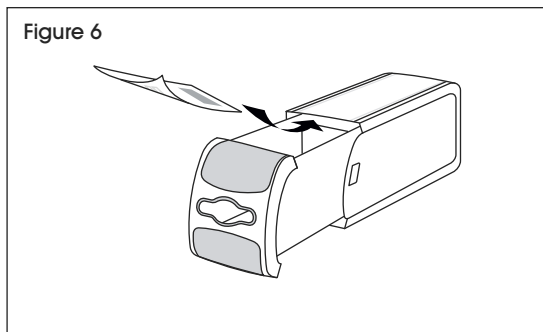


AD-A-GLANCE® FEATURE

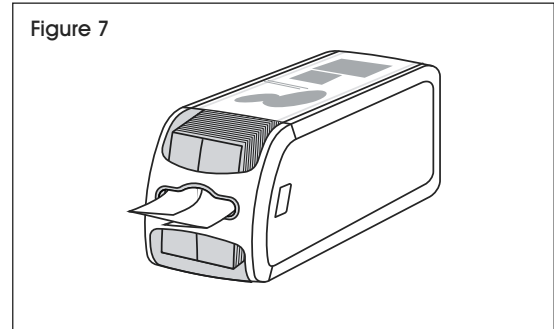
1. To use the AD-a-Glance® feature, open dispenser. (See Figure 5)



2. Pull out cards from top of dispenser. (See Figure 6)



3. Use templates at adaglance.torkusa.com to design artwork. Ad-a-Glance® insert size is 2.9" x 8.8".
4. Insert customized artwork into dispenser and close door. (See Figure 7)



CLEANING

Wipe with cloth using soap and water. If necessary, use mild cleaners. Do not use abrasives. Dispenser is not dishwasher safe.

ULINE

1-800-295-5510
uline.com