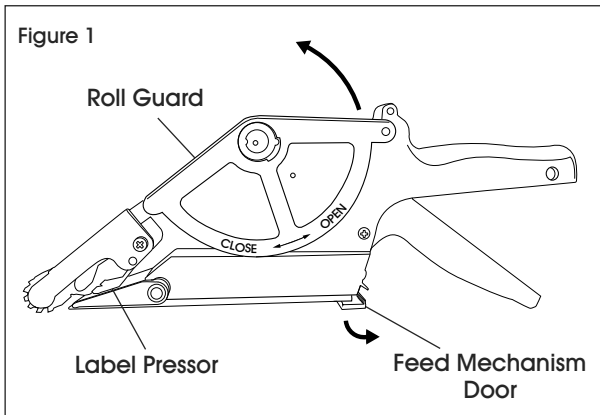
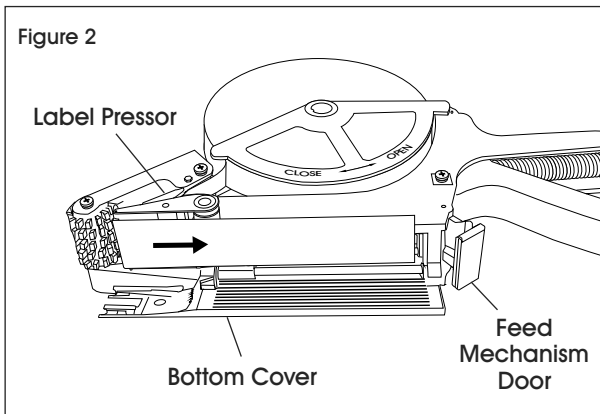


LOADING

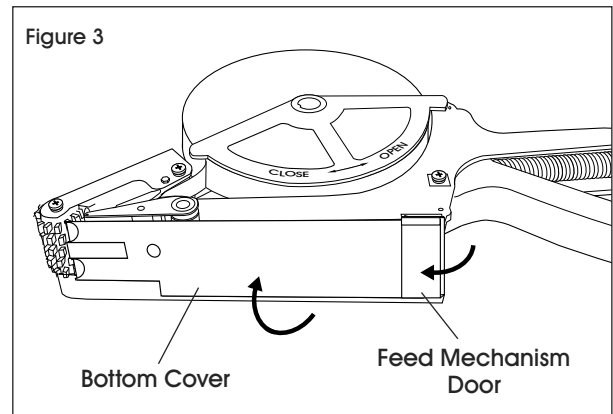
1. Turn roll guard counterclockwise to open. Unlock feed mechanism door to open bottom cover. Place label roll. (See Figure 1)



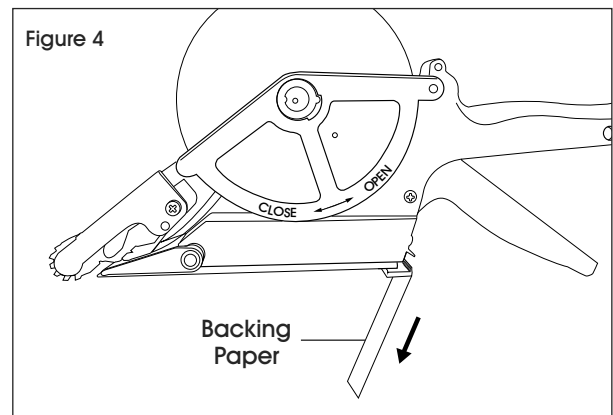
2. Insert label sideways under label pressor. Turn label back onto bottom cover. (See Figure 2)



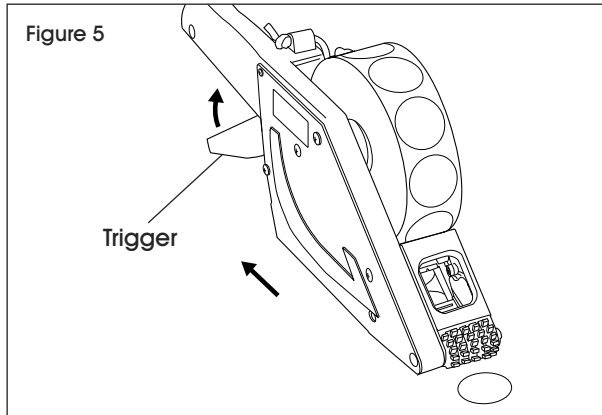
3. Push bottom cover closed. Lock feed mechanism door by snapping it into place. (See Figure 3)



4. Cut backing paper by pulling it downward. (See Figure 4)



OPERATION



1. To apply label, squeeze trigger and pull machine toward user at a steady speed. (See Figure 5)