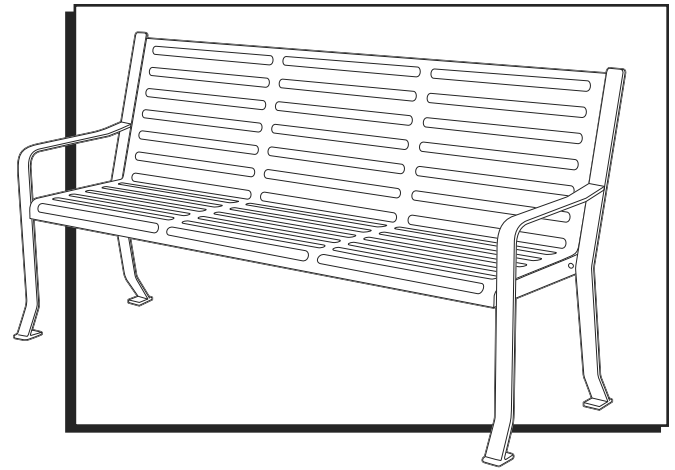
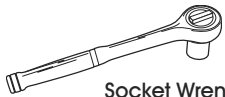


ULINE H-7930 6' METAL TERRACE BENCH

1-800-295-5510
uline.com



TOOLS NEEDED



Socket Wrench

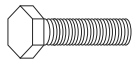


1/2" Socket



Two-Person Assembly
(Optional)

PARTS



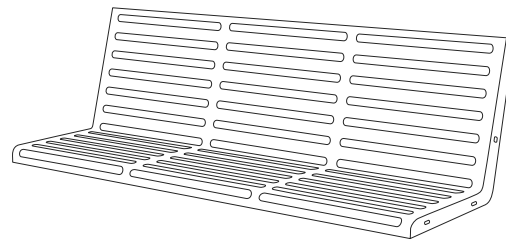
5/16" Bolt x 8



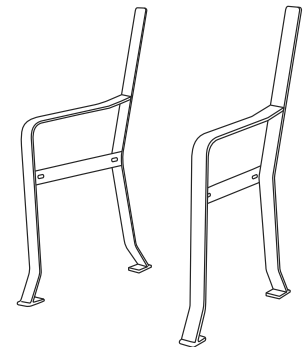
5/16" Nut x 8



5/16" Washer x 16



Seat Bench x 1



Leg x 2

ASSEMBLY

1. Verify all parts are present before beginning.
2. Place legs on side of bench seat aligning predrilled holes. Attach using 5/16" bolts, 5/16" washers and 5/16" nuts.



NOTE: Finger-tighten all bolts and nuts until parts are adjusted for fit before tightening with tools.

3. Level bench and tighten all bolts with socket wrench and 1/2" bit.

