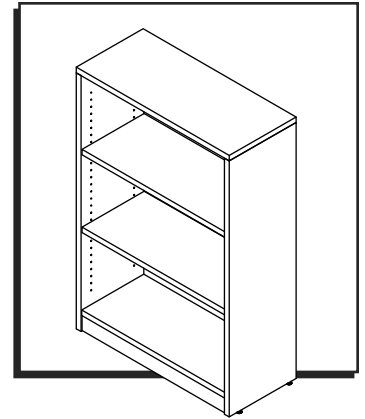


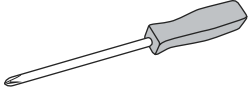
# ULINE H-6285MAH

## 3-SHELF OFFICE BOOKCASE

1-800-295-5510  
uline.com



### TOOL NEEDED

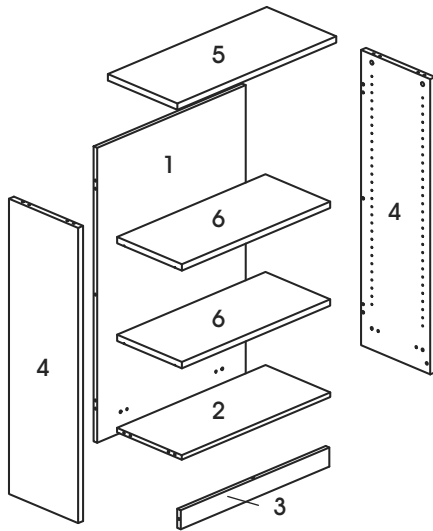


Phillips Screwdriver

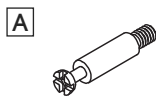


Two Person Assembly  
Recommended

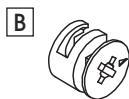
## PARTS



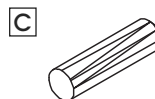
#	DESCRIPTION	QTY
1	Back Panel	1
2	Bottom Panel	1
3	Skirt Panel	1
4	Side Panel	2
5	Top Panel	1
6	Shelf	2



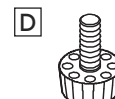
Cam Lock Pin x 20



Cam Lock x 20



Dowel x 14



Adjustable  
Glide x 4



Shelf Dowel x 10



Deep Cam  
Lock Cap x 10



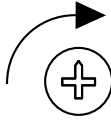
Cam Lock Cap x 10

# ASSEMBLY



**IMPORTANT!** Turn cam lock 1/4 to the right to lock.

## IMPORTANT! FUNCTION OF CAM LOCK



**1/4 RIGHT TURN  
FOR LOCKING**

Ensure the arrow is pointing to edge of panel before inserting into the panel's hole.



**NOTE:** Use Phillips screwdriver to tighten cam lock pins and cam locks.



**NOTE:** Assemble on a smooth, non-marring surface to avoid scratching.



**NOTE:** Check that all parts are included.

1. Install one cam lock pin (A) in back panel (1). Insert one cam lock (B) into corresponding hole in bottom panel (2). Fit back panel and bottom panel together and turn cam lock (B) clockwise until it locks. (See Figure 1)

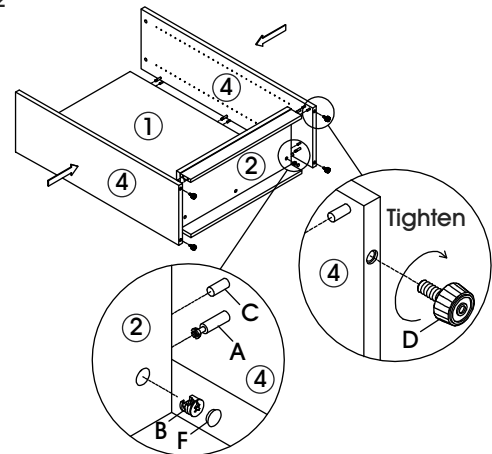


**NOTE:** Cam lock caps can be applied once cam locks are tightened for a finished look.

2. Install one cam lock pin (A) in bottom panel (2). Insert one cam lock (B) into corresponding hole in skirt panel (3). Fit bottom panel and skirt panel together and turn cam lock (B) clockwise until it locks. (See Figure 1)

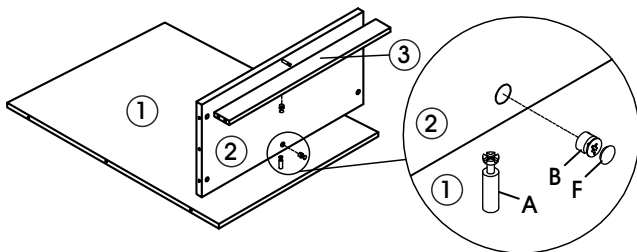
3. Install four cam lock pins (A) and four dowels (C) in side panel (4). Insert cam locks (B) into corresponding holes on bottom panel (2) and skirt panel (3). Fit side panel together with pieces assembled in Steps 1 and 2 and turn each cam lock clockwise until it locks. Repeat for second side panel. (See Figure 2)
4. Mount adjustable glides (D) on side panels (4). Glides can be adjusted to compensate for uneven floors. (See Figure 2)

Figure 2



5. With second person, set bookcase upright.

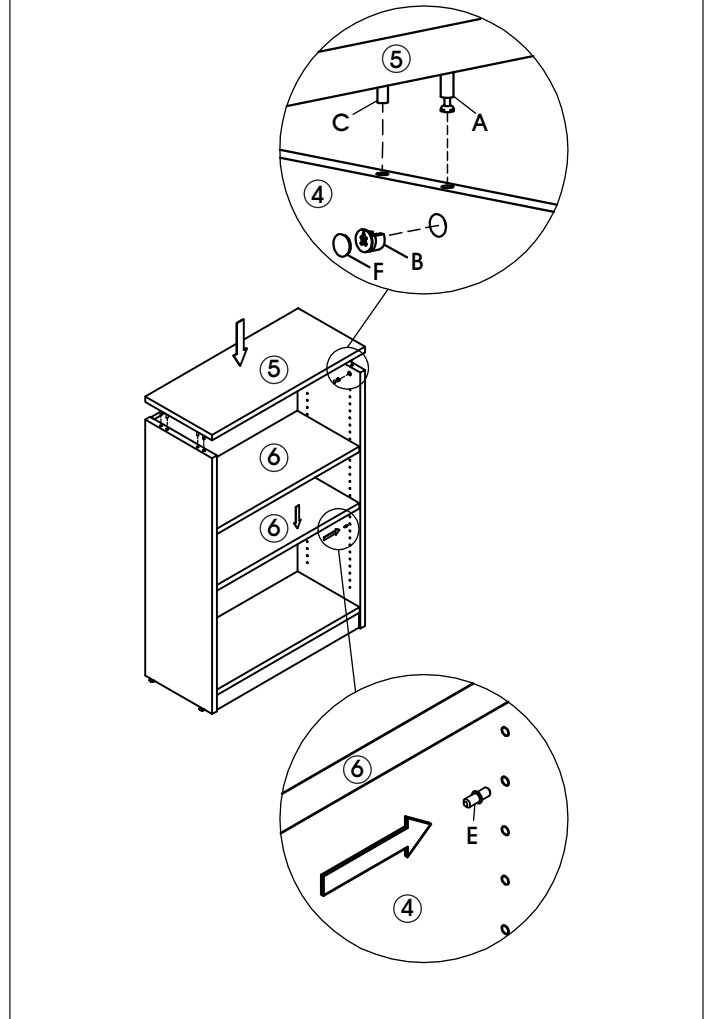
Figure 1



## ASSEMBLY CONTINUED

6. Install four cam lock pins (A) and four dowels (C) in top panel (5). Insert cam locks (B) into corresponding holes on side panels (4). Fit top panel together with side panels and turn each cam lock clockwise until it locks. (See Figure 3)
7. Insert four shelf dowels (E) in holes at same height on side panels (4) on the inside of bookcase. Slide shelf (6) in above shelf dowels and set it down on dowels, ensuring shelf is level and seated securely. Repeat for second shelf. (See Figure 3)

Figure 3



**ULINE**

1-800-295-5510  
uline.com