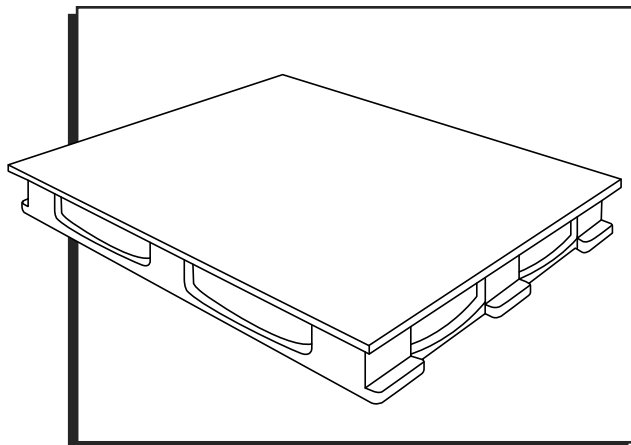


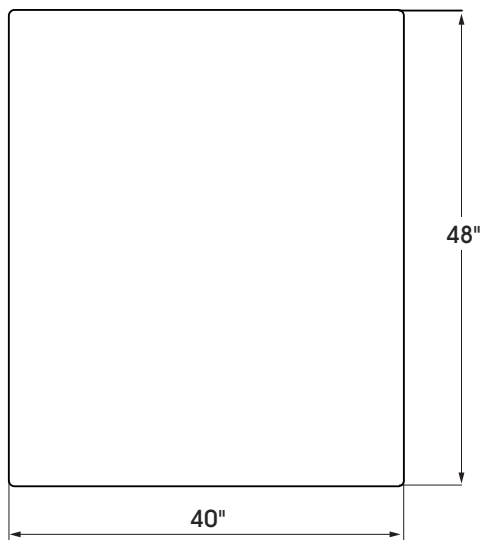
ULINE H-5490
SOLID TOP
RACKABLE PALLET

1-800-295-5510
 uline.com

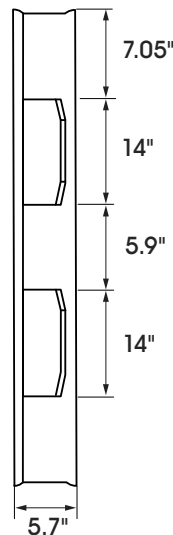


PRODUCT DIMENSIONS

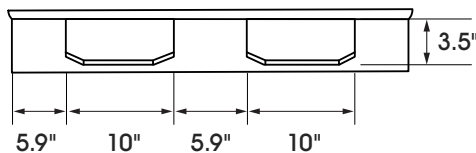
TOP VIEW



LONG SIDE VIEW



SHORT SIDE VIEW



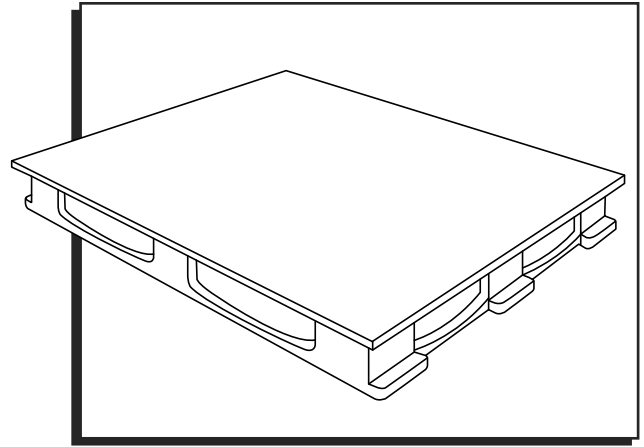
SPECIFICATIONS

| MODEL # | DIMENSIONS | | HEIGHT | | | TRAILER QUANTITY | | WEIGHT CAPACITY | | | WEIGHT |
|---------|------------|-----|--------|---------|---------|------------------|-----|-----------------|------------|------------|---------|
| | L | W | FORK | OVERALL | NESTING | 48' | 53' | FLOOR | FORK | RACK | |
| H-5490 | 48" | 40" | 3.5" | 5.7" | N/A | 504 | 540 | 14,000 lbs. | 4,000 lbs. | 1,600 LBS. | 42 lbs. |

ULINE H-5490

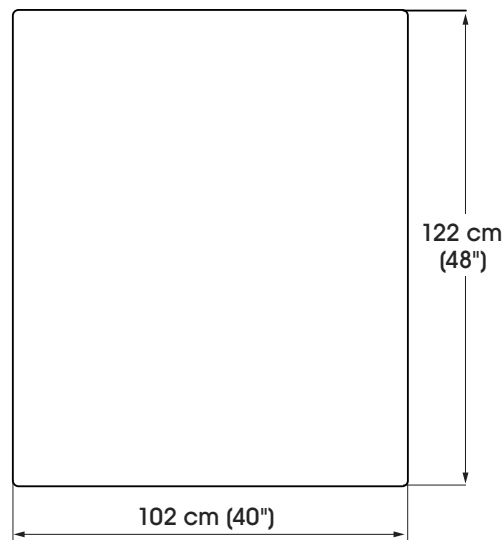
**TARIMA DE SUPERFICIE
SÓLIDA PARA RACKS**

800-295-5510
uline.mx

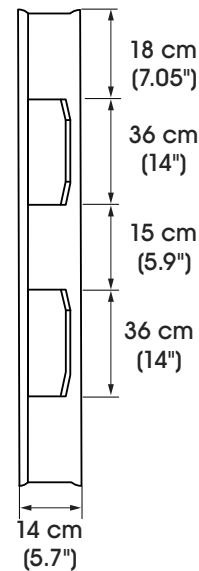


DIMENSIONES DEL PRODUCTO

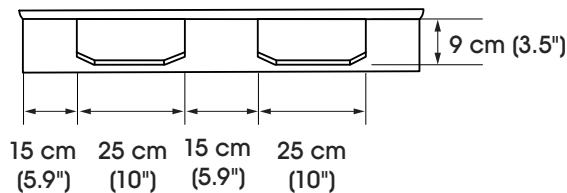
VISTA SUPERIOR



VISTA DEL LADO LARGO



VISTA DEL LADO CORTO

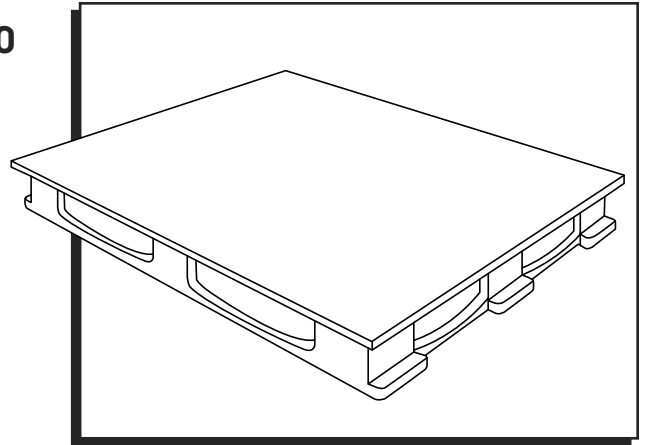


ESPECIFICACIONES

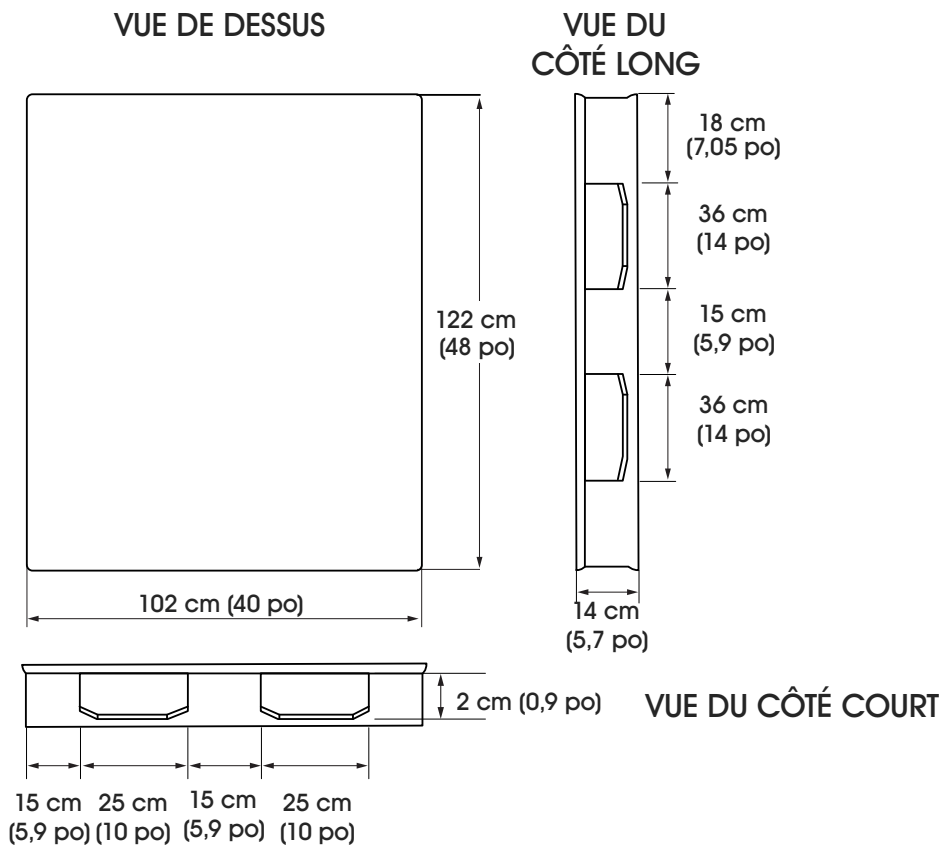
| MODELO NO. | DIMENSIONES | | ALTO | | | CANTIDAD EN TRÁILER | | CAPACIDAD DE PESO | | | PESO |
|------------|--------------|--------------|-------------|--------------|-----------|---------------------|---------------|------------------------|-----------------------|---------------------|-----------------|
| | LARGO | ANCHO | HORQUILLA | TOTAL | EMBONABLE | 14.6 m (48') | 16.15 m (53') | PISO | HORQUILLA | RACK | |
| H-5490 | 122 cm (48") | 102 cm (40") | 9 cm (3.5") | 14 cm (5.7") | N/A | 504 | 540 | 6,350 kg (14,000 lbs.) | 1,814 kg (4,000 lbs.) | 726 kg (1,600 lbs.) | 19 kg (42 lbs.) |

ULINE H-5490
PALETTE EMPILABLE
AVEC PLATEAU SOLIDE

1-800-295-5510
 uline.ca



DIMENSIONS DU PRODUIT



SPÉCIFICATIONS

| N° DE MODÈLE | DIMENSIONS | | HAUTEUR | | | QUANTITÉ PAR REMORQUE | | CAPACITÉ PONDÉRALE | | | POIDS |
|--------------|----------------|----------------|---------------|----------------|-------------|-----------------------|-----------------|----------------------|---------------------|-------------------|---------------|
| | LONG. | LARG. | FOURCHE | TOTALE | EMBOÎTEMENT | 14,6 m (48 pi) | 16,15 m (53 pi) | PLANCHER | FOURCHE | SUR ÉTAGÈRE | |
| H-5490 | 122 cm (48 po) | 102 cm (40 po) | 9 cm (3,5 po) | 14 cm (5,7 po) | N/A | 504 | 540 | 6 350 kg (14 000 lb) | 1 814 kg (4 000 lb) | 726 kg (1 600 lb) | 19 kg (42 lb) |