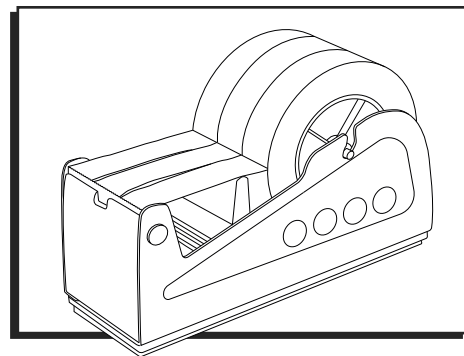


ULINE H-462

INDUSTRIAL MULTI-ROLL TAPE DISPENSER – 3"

1-800-295-5510

uline.com



INSTRUCTIONS

BLADE REMOVAL

With pliers, pull up on blade to remove from dispenser.
(See Figures 1-2)

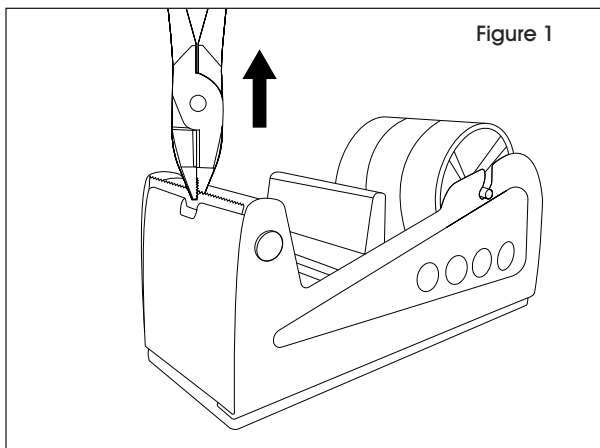


Figure 1

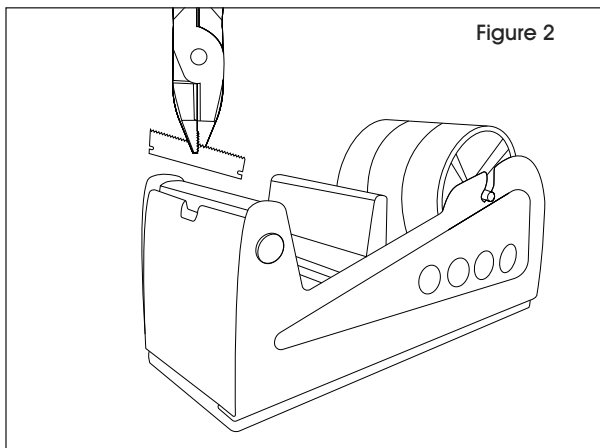


Figure 2

BLADE REPLACEMENT

With pliers, insert blade into slot at front of dispenser.
Press down with pliers until blade is secure.
(See Figure 3)

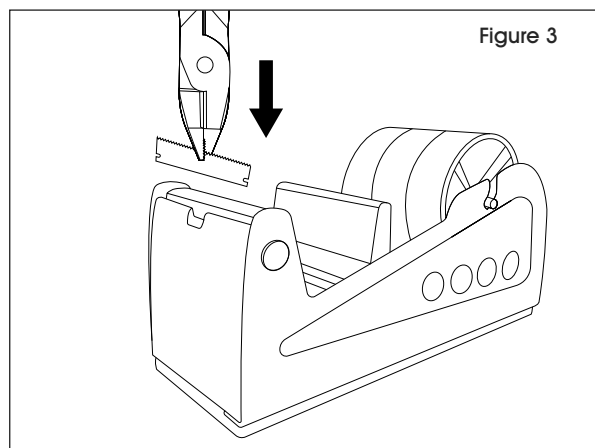


Figure 3



WARNING! Attempting to secure blade with hand or fingers may result in injury.