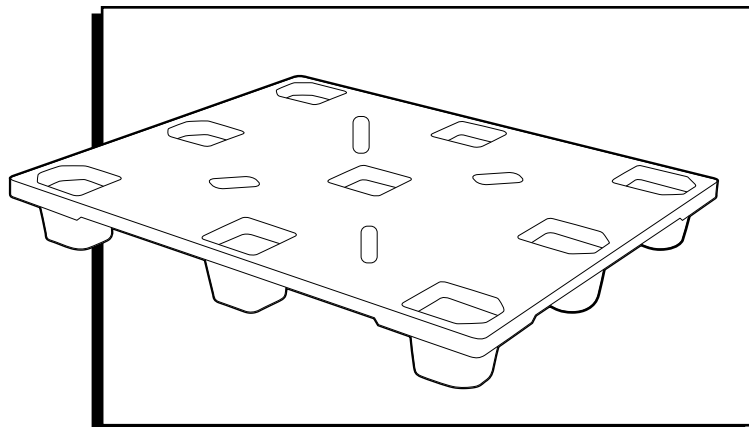


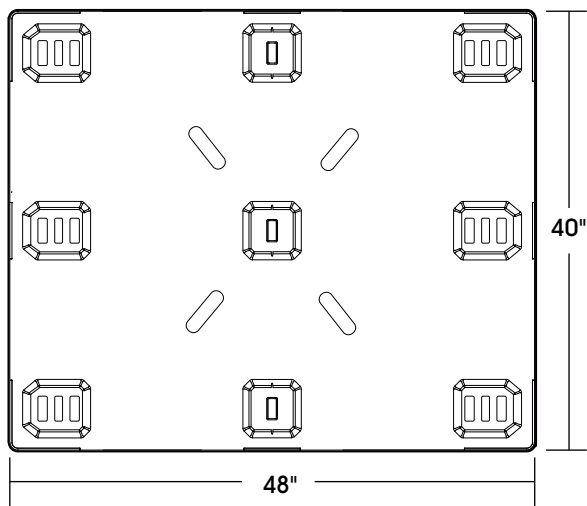
ULINE H-4061
CLOSED DECK
EXPORT PALLET

1-800-295-5510
 uline.com

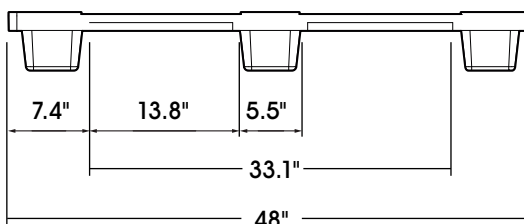


PRODUCT DIMENSIONS

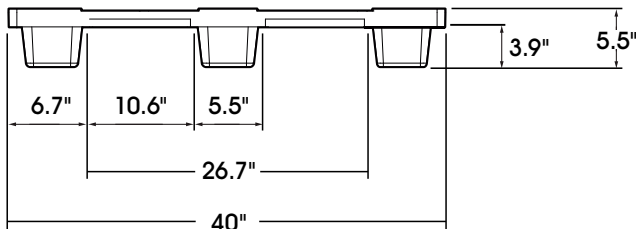
TOP VIEW



LONG SIDE VIEW



SHORT SIDE VIEW



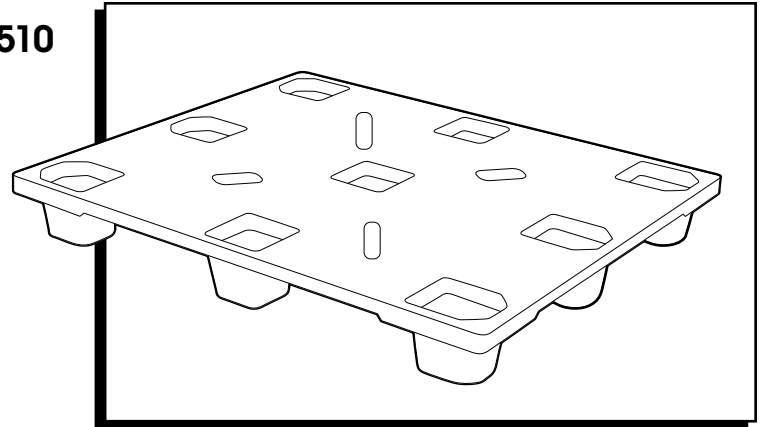
SPECIFICATIONS

| MODEL # | DIMENSIONS | | HEIGHT | | | NESTED TRAILER | | WEIGHT CAPACITY | | WEIGHT |
|---------|------------|-----|--------|---------|---------|----------------|-------|-----------------|------------|---------|
| | L | W | FORK | OVERALL | NESTING | 48' | 53' | FLOOR | FORK | |
| H-4061 | 48" | 40" | 3.9" | 5.5" | 1.9" | 1,400 | 1,500 | 8,500 lbs. | 2,500 lbs. | 24 lbs. |

ULINE H-4061

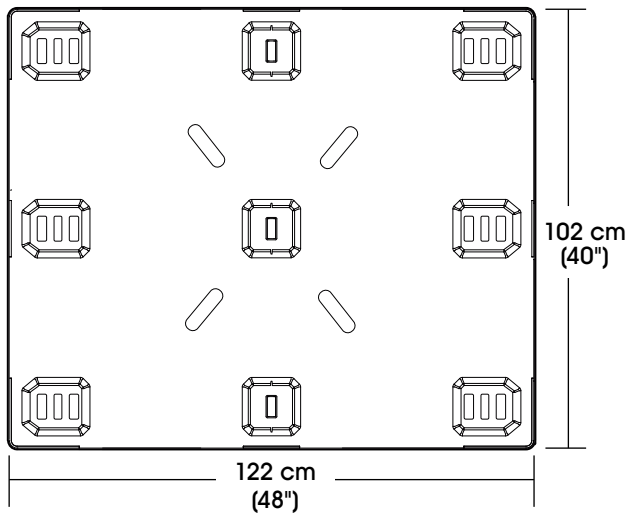
800-295-5510
uline.mx

TARIMA DE EXPORTACIÓN CON PLATAFORMA CERRADA

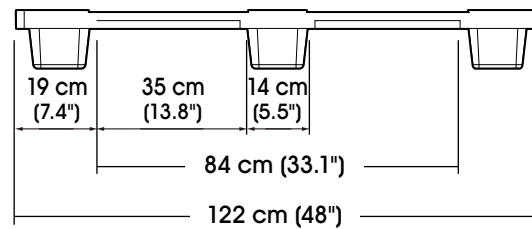


DIMENSIONES DEL PRODUCTO

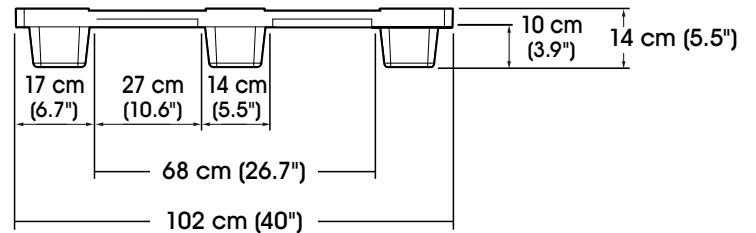
VISTA SUPERIOR



VISTA DEL LADO LARGO



VISTA DEL LADO CORTO

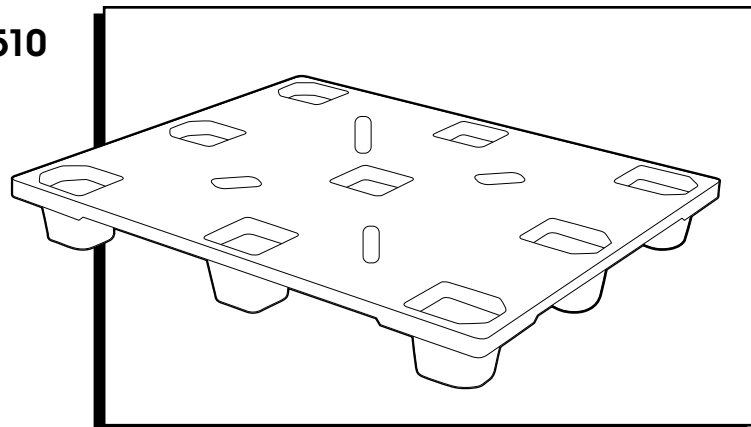


ESPECIFICACIONES

| NO. DE MODELO | DIMENSIONES | | ALTURA | | | EMBOCADAS EN TRÁILER | | CAPACIDAD DE PESO | | PESO |
|---------------|--------------|--------------|--------------|--------------|---------------|----------------------|--------------|-----------------------|----------------------|-----------------|
| | LARGO | ANCHO | HORQUILLA | TOTAL | EMBOCADAS | 14.6 M (48') | 16.2 M (53') | PISO | HORQUILLA | |
| H-4061 | 122 cm (48") | 102 cm (40") | 10 cm (3.9") | 14 cm (5.5") | 4.8 cm (1.9") | 1,400 | 1,500 | 3,855 kg (8,500 lbs.) | 1134 kg (2,500 lbs.) | 11 kg (24 lbs.) |

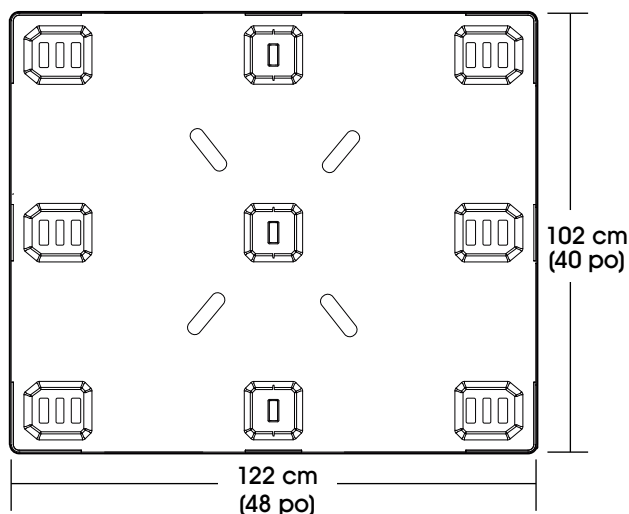
ULINE H-4061
CADRE DE PALETTE
D'EXPORTATION
FERMÉE

1-800-295-5510
 uline.ca

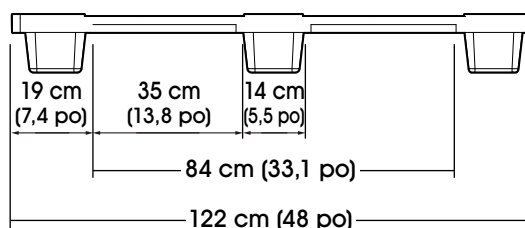


DIMENSIONS DU PRODUIT

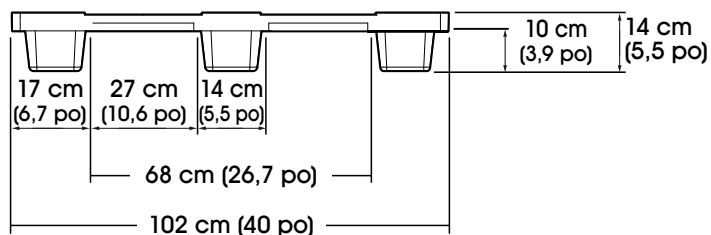
VUE DU DESSUS



VUE LATÉRALE (CÔTÉ LONG)



VUE LATÉRALE (CÔTÉ COURT)



SPÉCIFICATIONS

| N° DE MODÈLE | DIMENSIONS | | HAUTEUR | | | EMBOÎTÉ DANS REMORQUE | | CAPACITÉ PONDÉRALE | | POIDS |
|--------------|----------------|----------------|----------------|----------------|-----------------|-----------------------|----------------|--------------------|----------|---------------|
| | LONG. | LARG. | FOURCHE | HORS TOUT | EMBOÎTEMENT | 14.6 M (48 PI) | 16.2 M (53 PI) | PLANCHER | FOURCHE | |
| H-4061 | 122 cm (48 po) | 102 cm (40 po) | 10 cm (3,9 po) | 14 cm (5,5 po) | 4,8 cm (1,9 po) | 1 400 | 1 500 | 8 500 lb | 2 500 lb | 11 kg (24 lb) |