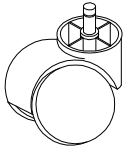

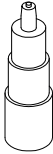
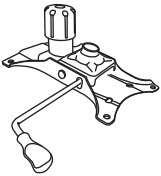
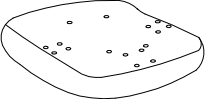
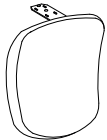
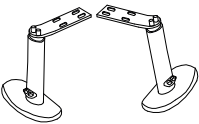
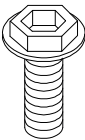
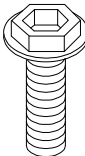
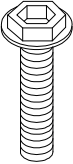
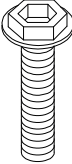
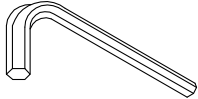
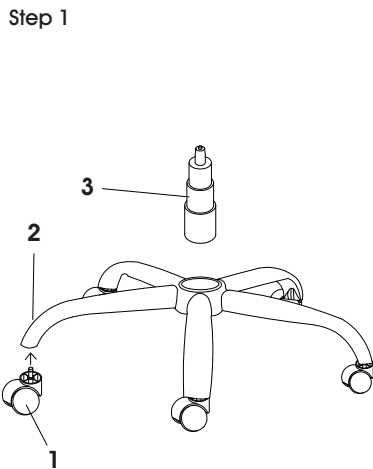
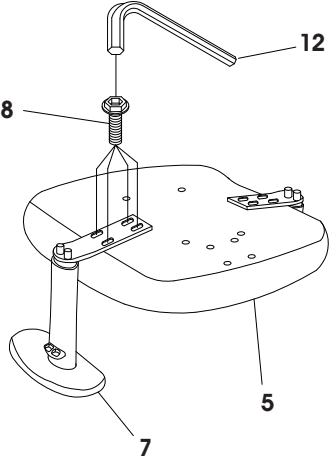
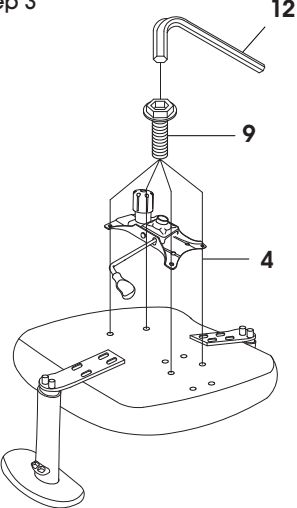
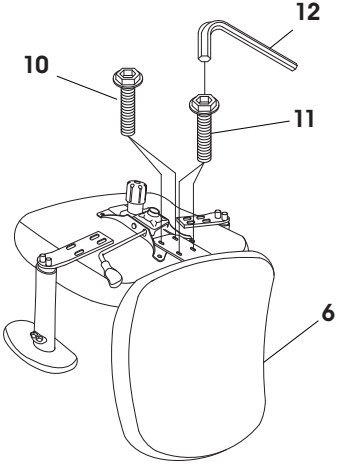
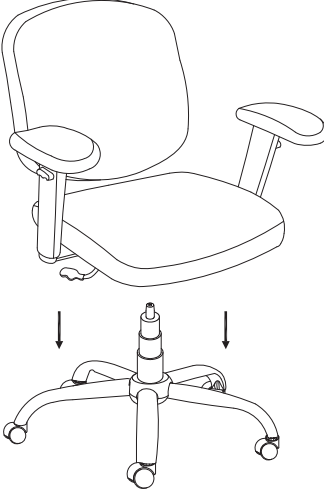



PARTS LIST					
1	Caster x 5	2	5-Star Base x 1	3	Gas Lift x 1
					
4	Mechanism x 1	5	Seat Cushion x 1	6	Back Cushion x 1
					
7	Armrest x 2	8	Screw x 8 5/16" x 1 1/4"	9	Screw x 4 5/16" x 1"
					
10	Screw x 2 3/8" x 1 1/2"	11	Screw x 2 3/8" x 1 1/4"	12	Allen Wrench x 1
					

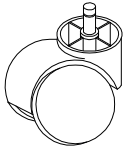

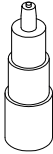
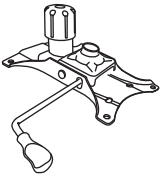
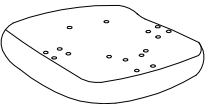
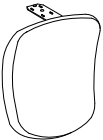
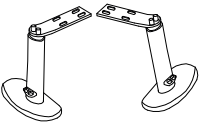
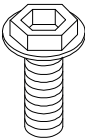
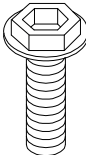
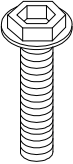
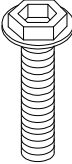
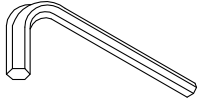
ASSEMBLY INSTRUCTIONS		
<p>Step 1</p>  <p>1, 2, 3</p>	<p>Step 2</p>  <p>4, 5, 7, 8, 12</p>	<p>Step 3</p>  <p>4, 9, 12</p>
<p>Step 4</p>  <p>6, 10, 11, 12</p>	<p>Step 5</p>  <p>↓ ↓</p>	

# ULINE H-3643

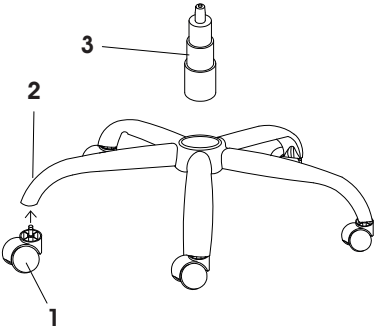
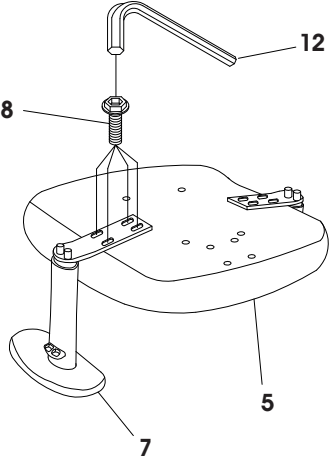
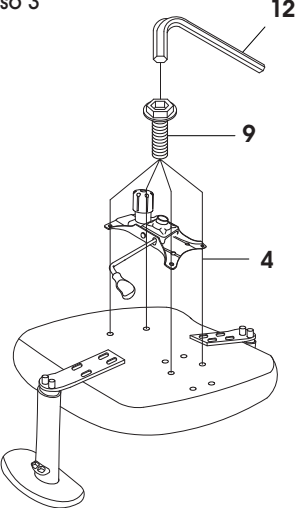
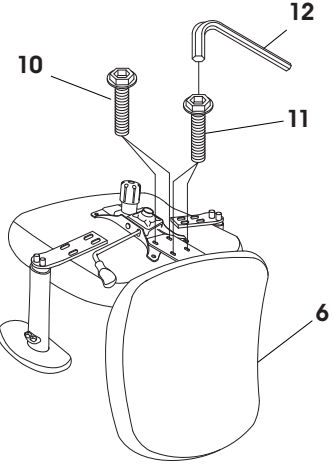
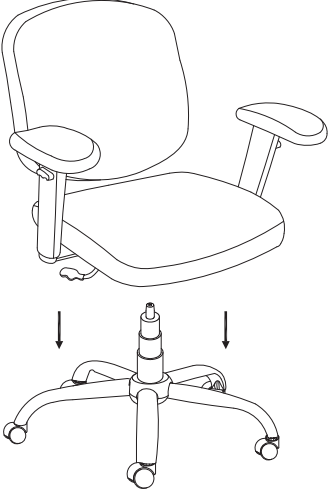

## SILLA GRANDE Y ALTA PARA OFICINA

800-295-5510  
uline.mx

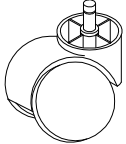


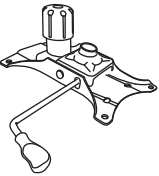
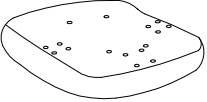
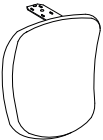
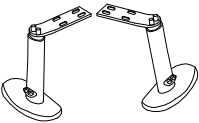
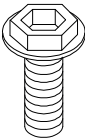
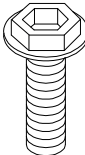
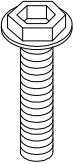
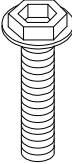
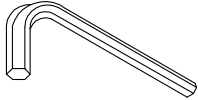
### LISTA DE PARTES

1	5 Ruedas	2	1 Base Estrella	3	1 Pistón de Aire
					
4	1 Mecanismo	5	1 Asiento	6	1 Respaldo
					
7	2 Descansabrazos	8	8 Tornillos 7.9 x 31.8 mm (5/16" x 1 1/4")	9	4 Tornillos 7.9 x 25.4 mm (5/16" x 1")
					
10	2 Tornillos 9.5 x 38.1 mm (3/8" x 1 1/2")	11	2 Tornillos 9.5 x 31.8 mm (3/8" x 1 1/4")	12	1 Llave Allen
					

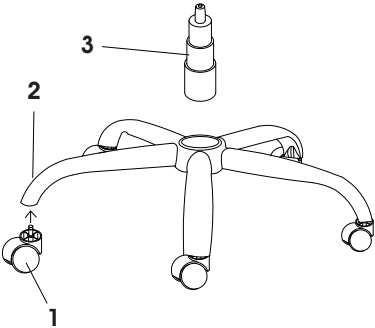
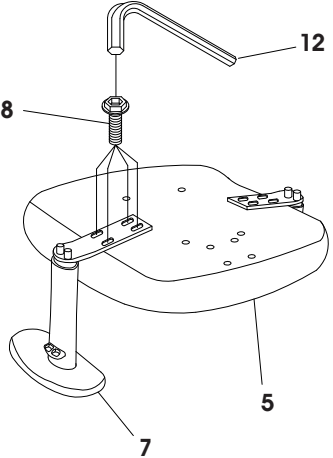
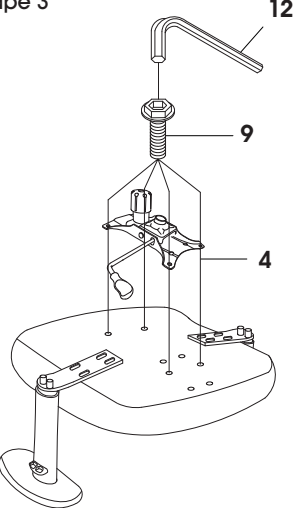
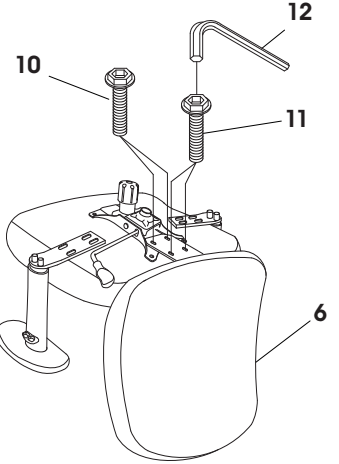
### INSTRUCCIONES DE ENSAMBLE

<p>Paso 1</p> 	<p>Paso 2</p> 	<p>Paso 3</p> 
<p>Paso 4</p> 	<p>Paso 5</p> 	

**NOMENCLATURE**

<b>1</b>	Roulette x 5	<b>2</b>	Étoile à 5 branches x 1	<b>3</b>	Vérin pneumatique x 1
					
<b>4</b>	Mécanisme x 1	<b>5</b>	Siège x 1	<b>6</b>	Dossier x 1
					
<b>7</b>	Accoudoir x 2	<b>8</b>	Vis x 8 7,9 x 31,8 mm (5/16 x 1 1/4 po)	<b>9</b>	Vis x 4 7,9 x 25,4 mm (5/16 x 1 po)
					
<b>10</b>	Vis x 2 9,5 x 38,1 mm (3/8 x 1 1/2 po)	<b>11</b>	Vis x 2 9,5 x 31,8 mm (3/8 x 1 1/4 po)	<b>12</b> Clé Allen x 1	
					

**INSTRUCTIONS D'ASSEMBLAGE**

<p>Étape 1</p> 	<p>Étape 2</p> 	<p>Étape 3</p> 
<p>Étape 4</p> 	<p>Étape 5</p> 