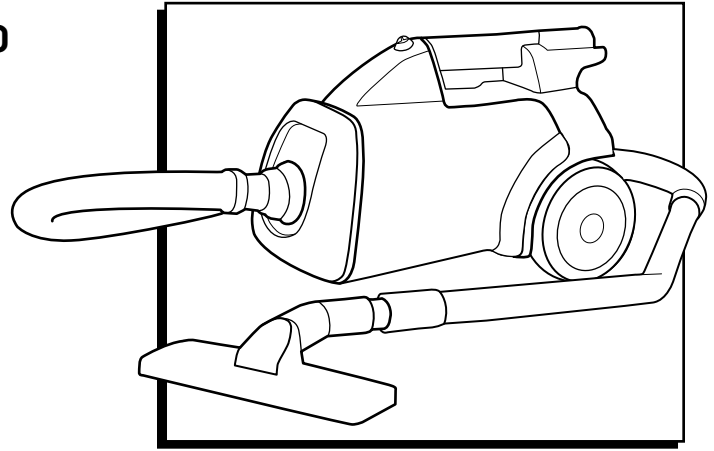


ULINE H-3472

COMPACT CANISTER VACUUM

1-800-295-5510
uline.com



SAFETY



NOTE: When using an electrical appliance, basic precautions should always be followed, including the following: **READ ALL INSTRUCTIONS BEFORE USING THIS VACUUM CLEANER.**



WARNING! To reduce the risk of fire, electric shock, or injury:

- Do not use outdoors or on wet surfaces.
- Do not leave vacuum cleaner when plugged in. Turn off the switch and unplug the electrical cord when not in use and before servicing.
- Do not allow to be used as a toy. Close attention is necessary when used by or near children.
- Use only as described in this manual. Use only the manufacturer's recommended attachments.
- Do not use with damaged cord or plug. If vacuum cleaner is not working as it should, has been dropped, damaged, left outdoors, or dropped into water, return it to a service center before using.
- Do not pull or carry by cord, use cord as a handle, close door on a cord, or pull cord around sharp edges or corners. Do not run vacuum cleaner over cord. Keep cord away from heated surfaces.
- Do not use extension cords or outlets with inadequate current-carrying capacity.
- Turn off all controls before unplugging.
- Do not unplug by pulling on cord. To unplug, grasp the plug, not the cord.
- Do not handle plug or vacuum with wet hands.
- Do not put any object into openings. Do not use with any opening blocked; keep free of dust, lint, hair or anything that may reduce airflow.
- This vacuum cleaner creates suction and contains a revolving brush roll. Keep hair, loose clothing, fingers and all parts of the body away from openings and moving parts.
- Do not place cleaner on furniture or stairs as the brush roll may cause damage.
- Do not vacuum anything that is burning or smoking, such as cigarettes, matches, or hot ashes.
- Do not use without dust bag or filter(s) in place.
- Belt pulleys can become hot during normal use. To prevent burns, avoid touching the belt pulley when servicing the drive belt.
- Use extra care when cleaning on stairs.
- Do not use to pick up flammable or combustible liquids such as gasoline, or use in areas where they may be present.
- Store your cleaner indoors in a cool, dry area.
- Keep your work area well lighted.
- Unplug electrical appliances before vacuuming them.
- Do not oil the motor or the brush roll. The motor and brush roll are permanently sealed and lubricated.



CAUTION! THIS APPLIANCE MUST BE GROUNDED. If it should malfunction or break down, grounding provides a path of least resistance for electrical current to reduce the risk of electric shock.



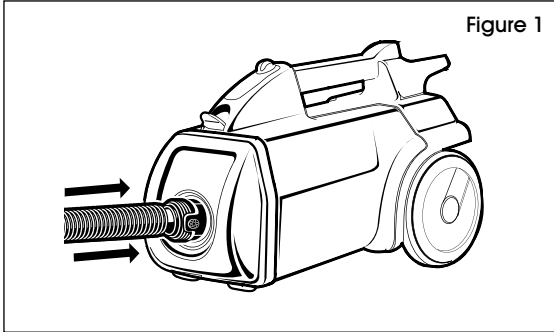
NOTE: The appliance is equipped with a cord having an equipment-grounding conductor and grounding plug. The plug must be plugged into an appropriate outlet that is properly installed and grounded in accordance with all local codes and ordinances.

ASSEMBLY

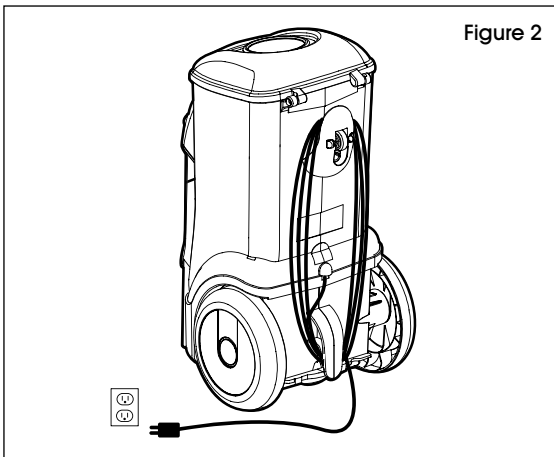


Caution: Fully assemble the cleaner before using. Make sure on/off switch is in the off position before plugging in.

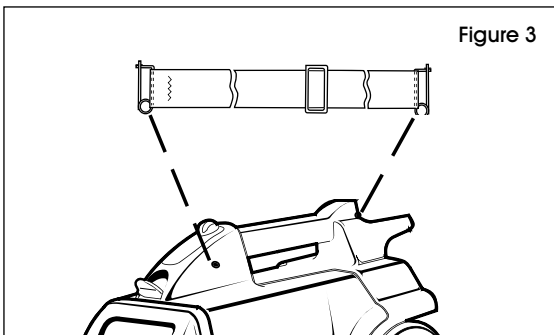
1. Snap the hose into the inlet in the bag cover of the canister. The hose can be released by depressing the two release buttons. (See Figure 1)



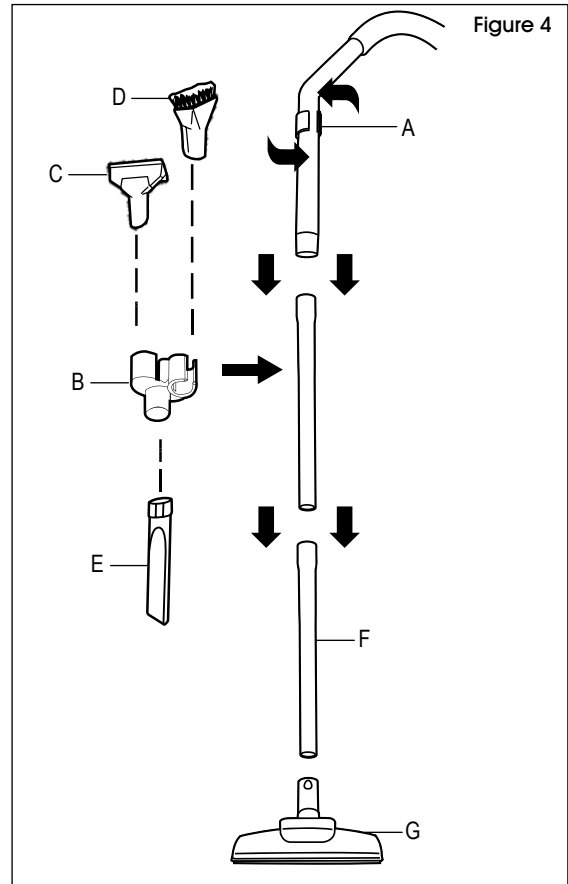
2. The power cord is stored on the bottom of the canister by wrapping around the cord hooks. The front hook swivels to provide a quick release feature. (See Figure 2)



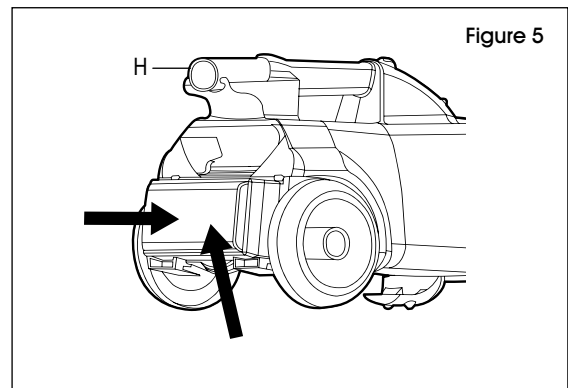
3. The shoulder strap snaps into the handle in two locations. (See Figure 3)



4. Twist the slip ring (A) to adjust the amount of suction. The tool caddy (B) holds the upholstery tool (C), the dusting brush (D) and the crevice tool (E). (See Figure 4)

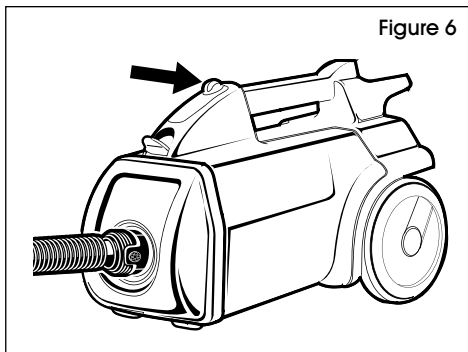


5. The telescopic wand (F) adjusts to different cleaning heights and the combination floor tool (G) works on both carpet and hard surfaces. (See Figure 4)
6. Optional HEPA filter snaps onto the rear housing. The crevice tool can also be stored in the handle (H). (See Figure 5)



OPERATION

1. Locate the on/off switch on the top of the canister, in front of the handle. (See Figure 6)



2. Press with hand or foot once to turn on. Press again to shut off.

AUTOMATIC MOTOR SHUT-OFF

To protect from overheating, this vacuum cleaner is equipped with a thermostat which automatically shuts off the motor if it overheats. If overheating occurs complete the following steps:

1. Turn off the switch and unplug the cleaner.
2. Check the hose for clogs, the bag to see if it needs to be changed or if the filter needs to be cleaned or replaced.
3. If the cleaner does not resume operation within 30 minutes, contact Uline customer service: 1-800-295-5510.

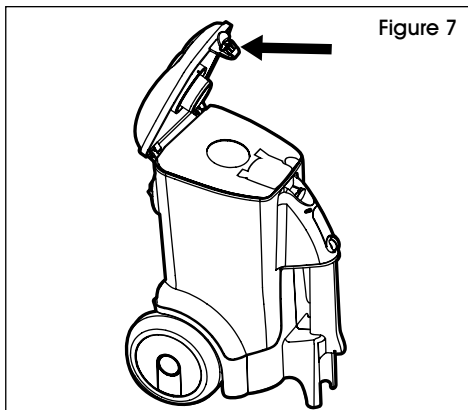
MAINTENANCE

CHANGING DUST BAG

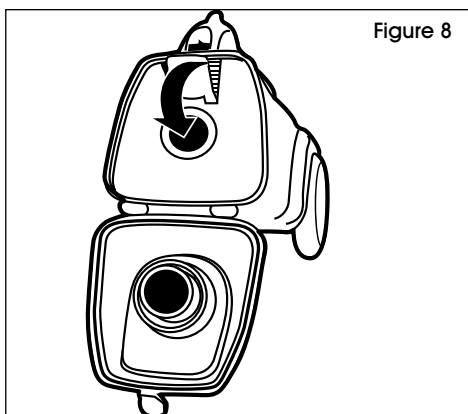


CAUTION! Turn off vacuum and unplug the electrical cord before changing the dust bag or cleaning the motor filter. Never operate the vacuum cleaner without the dust bag or filter.

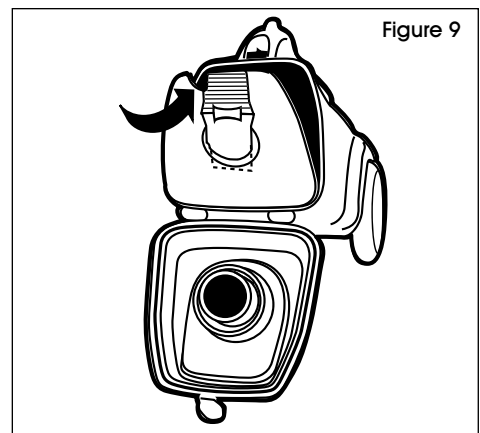
1. Open the bag cover by pushing down on the latch. (See Figure 7)



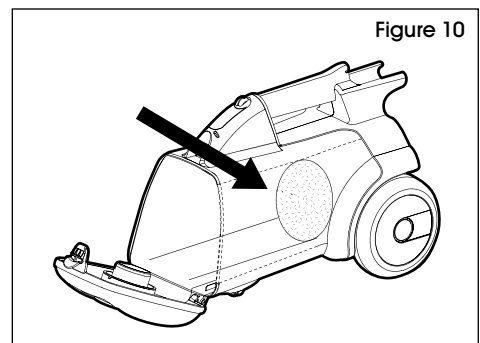
2. Fold bag closure flap down and push behind the rubber seal. (See Figure 8)



3. Insert finger into upper left notch and pull to remove bag. (See Figure 9)

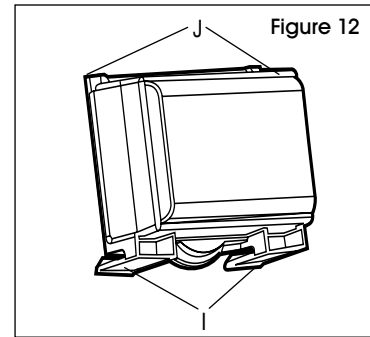
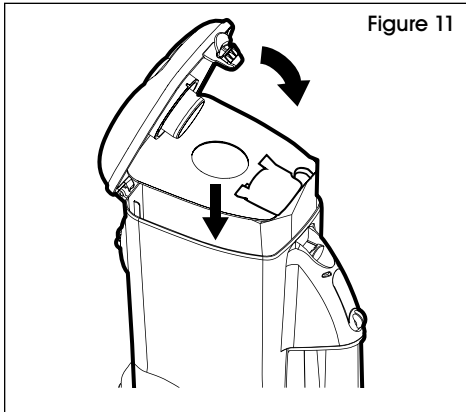


4. Check motor filter. If necessary, replace or clean by rinsing under warm water. Install when completely dry. (See Figure 10)

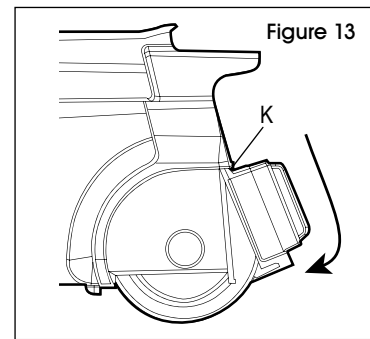


MAINTENANCE CONTINUED

- Open bag folds slightly. Place bag in the cleaner. Tuck bag corners under collar. Close bag cover making sure it latches completely. (See Figure 11)



- To replace the filter, insert upper filter tabs firmly under the rear housing tabs (K) and pivot filter until the bottom clips on the filter click securely into place on the cleaner. (See Figure 13)



HEPA FILTER MAINTENANCE

Check the HEPA filter (optional) with each dust bag change. Replace twice a year or after every six bag changes as needed.

- Grasp the bottom clips (I) and pull out and down to release the upper filter tabs (J). (See Figure 12)

TROUBLESHOOTING

OPERATING ISSUE	RECOMMENDATIONS
There is little or no suction.	<ol style="list-style-type: none"> Twist the slip ring to adjust the amount of suction. Cover the holes in the wand to increase suction. (See Page 2) There may be a clog in the hose. Take the hose and wands apart and remove the clog. Open the lid. Ensure that the paper bag is not full and is correctly positioned. If full, replace bag. HEPA filter may need to be changed. Replace twice per year or after every 6 bag changes.
Vacuum turns off while in use.	<ol style="list-style-type: none"> The vacuum may turn off due to overheating. Turn off the switch and unplug. Check to make sure there are no clogs, the bag is not full and that the filter does not need to be changed. Replace or clean parts if needed. If vacuum does not resume operation after 30 minutes, contact Uline customer service at 1-800-295-5510.
Vacuum has a burning smell.	<ol style="list-style-type: none"> Check to see if cord is damaged or if there is a clog in hose.
Vacuum does not clean carpet.	<ol style="list-style-type: none"> Be sure hose is securely on the vacuum. Check hose for clogs.