



## H-2575

HAND TOOL FOR STEEL STRAPPING



**ULINE** H-2575

1-800-295-5510

**TABLE OF CONTENTS**

	Page
<b>1 Technical data</b>	<b>14</b>
<b>2 General information</b>	<b>15</b>
2.1 Information on environmental protection	15
<b>3 Safety instructions</b>	<b>16</b>
<b>4 Description</b>	<b>17</b>
4.1 Design	17
4.2 Function	17
<b>5 Operating instructions</b>	<b>18</b>
5.1 Operating the tool	18
<b>6 Preventive and corrective maintenance</b>	<b>20</b>
6.1 Cleaning the tool	20
6.2 Setting the cutting depth	20
6.3 Setting clearance between tension wheel and toothed plate	21
6.4 Replacing tension wheel	21
6.5 Replacing cutting knife	22
6.6 Replacing matrice and die	22

**1**

**TECHNICAL DATA**

Weight	5.1 kg (15 lbs)
Dimensions	Length 450 mm (17.75") Width 130 mm (5") Height 135 mm (5.5")
Tension force	Up to approx. 6000 N
Sealing	Sealless notched seal with 3 notches

**STEEL STRAP**

---

Strap width	19 mm ( <sup>3</sup> / <sub>4</sub> " )
Normal quality:	
Strap thickness	0.60–0.80 mm (.024"–.032")
Tensile strength	Up to approx. 850 N/mm <sup>2</sup> (117'000 lbs/in <sup>2</sup> )
High strength quality:	
Strap thickness	0.60–0.80 mm (.024"–.032")
Tensile strength	Up to approx. 1100 N/mm <sup>2</sup> (156'000 lbs/in <sup>2</sup> )

# 2

## GENERAL INFORMATION

These operating instructions are intended to simplify familiarisation with the strapping tool and the possibilities of application for the intended purpose. The operating instructions contain important information concerning the safe, proper and efficient use of the strapping tool. Observation of the information will help to avoid danger, reduce repairs and stoppages and increase the reliability and service life of the strapping tool.

The operating instructions must always be available at the place of operation of the strapping tool. They must be read and observed by all persons concerned with work on the strapping tool. This work specifically includes operation, refilling of operating material, fault elimination and maintenance.

In addition to the operating instructions and the regulations for accident prevention effective in the country of use and place of application, the recognised technical regulations for safety and proper working must also be observed.



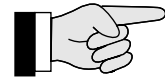
### CAUTION!

Used where there is danger to life and health.



### WARNING!

Used for danger which can cause material damage.



### NOTE!

Used for general information and information which if not followed can cause faults in the operating sequence.

### 2.1 INFORMATION ON ENVIRONMENTAL PROTECTION

This tool is manufactured without any physical or chemical substances which could be dangerous to health. For disposal of all the parts, the governmental instructions must be observed.

# 3

## SAFETY INSTRUCTIONS



**Inform yourself!**  
Read the operating instructions carefully.

**Use for the intended purpose**

The tool is intended for strapping flat packages, pallet loads etc.

This tool was designed and manufactured for safe handling during the strapping operation.



**Protect yourself!**  
When operating the tool, wear eye, face and hand protection (cut-proof gloves).

The tool processes steel straps only.

**Possible misuse**

The use of plastic straps is not possible.



**Warning:**  
**Strap will snap forward!**  
When cutting the strap, hold the upper portion and stand safely away from the strap.  
**Caution:**  
The lower strap will snap forward.



**Warning:**  
**Strap could break!**  
Do not stand in line with the strap while it is tensioned. The strap could break!



**Caution:**  
**Danger of squeezing!**  
Do not put your fingers into the tension wheel area.



**Caution:**  
**Only strap packed goods!**  
Do not put hands or other parts of the body between the strap and the package during the strapping process.



**Original ORGAPACK spare parts must be used exclusively!**  
Not using original spare parts will dissolve the warranty and the liability.

# 4

## DESCRIPTION

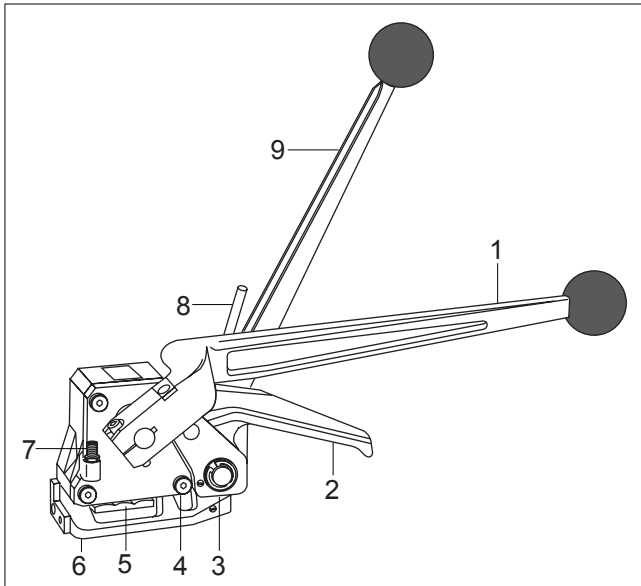


Fig. 1

### 4.1 DESIGN

- 1 Sealing lever
- 2 Rocker lever
- 3 Tension wheel and toothed plate
- 4 Strap guide pawl
- 5 Die and die plate
- 6 Base plate
- 7 Adjusting screw (cutting depth)
- 8 Tension-/release pawl
- 9 Tensioning lever

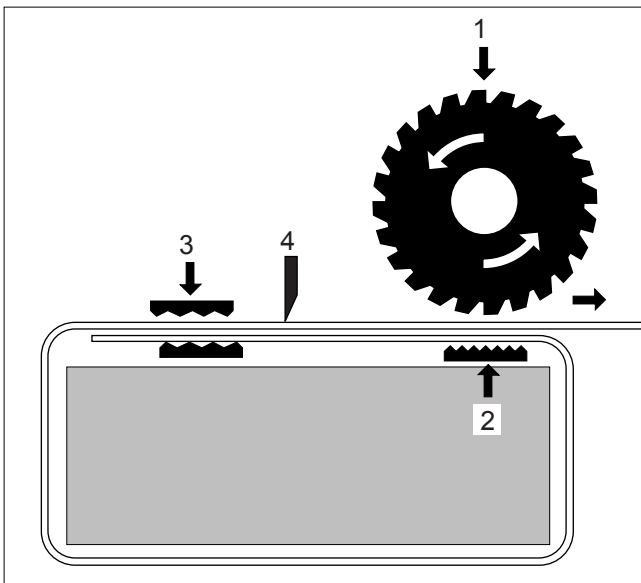


Fig. 2

### 4.2 FUNCTION

- Strap clamped by pressure on toothed plate (2/2).
- Tensioning by feed wheel principle (2/1).
- Sealing by punching strap (2/3).
- Strap cut with knife (2/4).

# 5

## OPERATING INSTRUCTIONS

### 5.1 OPERATING THE TOOL

- Wind strap tightly round packed goods, so that the straps lie above each other on top. Hold the strap in the left hand so that the lower strap start (3/1) is approx. 20 cm (8") from the hand.
- Hold the tool in right hand and raise rocker lever against sealing lever.
- Place the tool against the strap until this contacts the stop. The lower strap start projects approx. 5 cm (2") above the tool.
- Release rocker lever. The straps are clamped tightly and are fed from the tool.



If the straps are not inserted correctly in the tool, it is not possible to perform the tensioning operation.

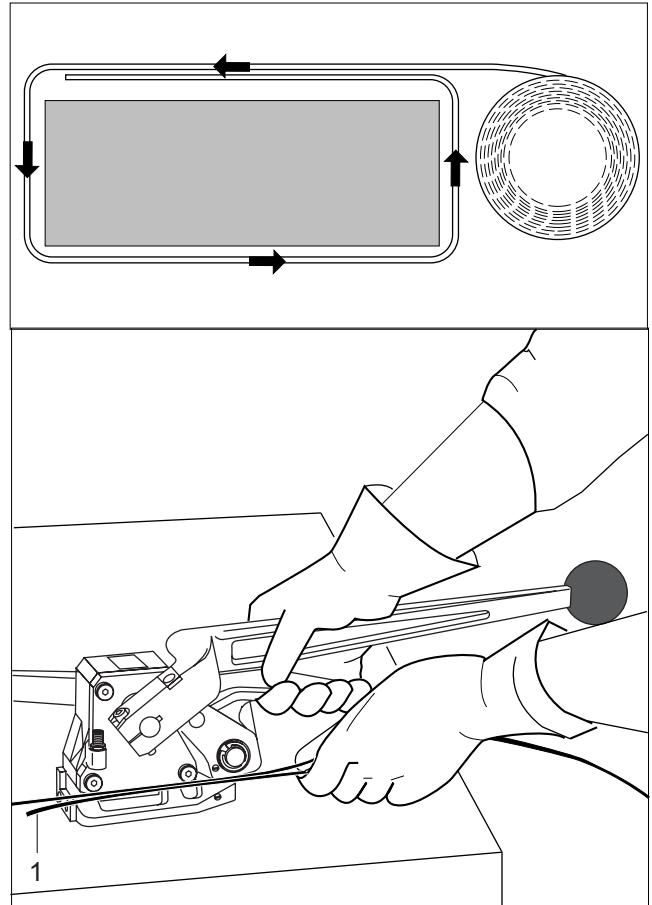


Fig. 3

- Hold the sealing lever (4/1) in the left hand and with the right hand move the tensioning lever (4/2) backwards and forwards until the required strap tension is obtained.

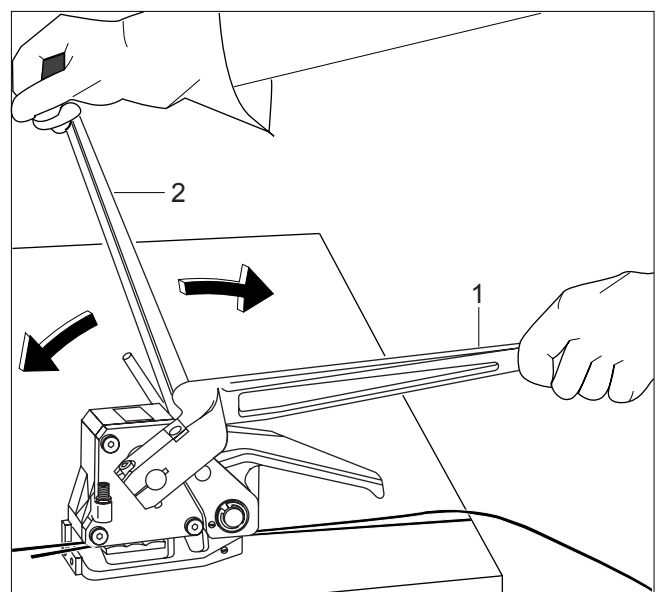


Fig. 4

**ULINE** H-2575

1-800-295-5510

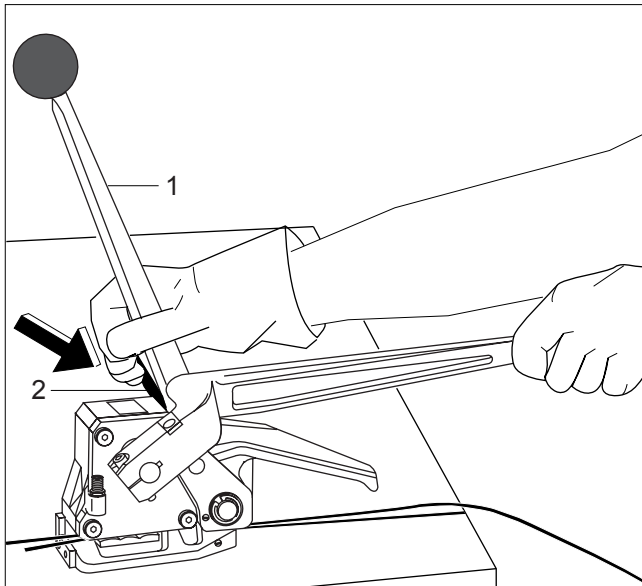


Fig. 5

**Releasing strap tension**

In order to release the strap again during the tensioning process:

- Press black tension pawl (5/2) against tensioning lever (5/1).
- Draw back tensioning lever firmly to disengage the tension pawls and release the strap tension.

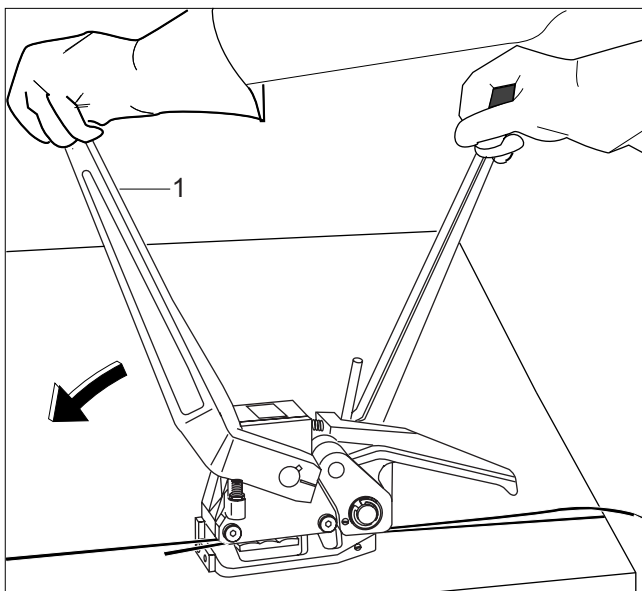


Fig. 6

- When the strap tension is reached, move sealing lever (6/1) to the stop. The right hand remains on the tensioning lever to resist the opposing force. The strap is sealed and cut.

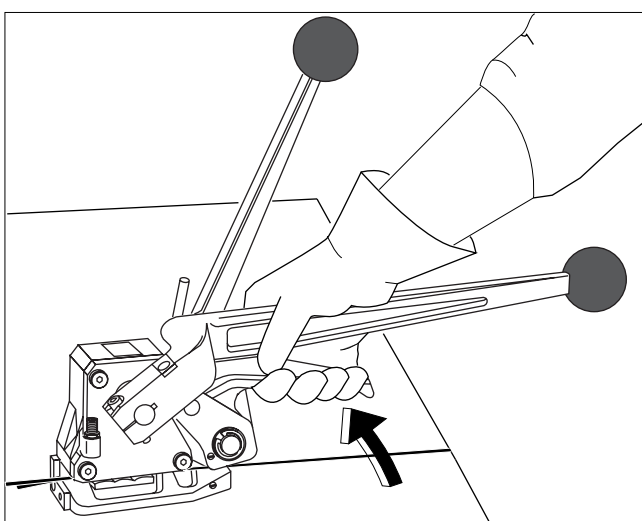


Fig. 7

- Return sealing lever to initial position.
- Raise the rocker lever against the sealing lever.
- Swivel the tool away from the strapping to the right at the rear.


**Check of seal**

To obtain the maximum seal efficiency, the notches have to be cut properly into the straps (interlock). If these notches are not correctly cut, replace matrice and die (see chapter 6.6).

# 6

## PREVENTIVE AND CORRECTIVE MAINTENANCE

### 6.1 CLEANING THE TOOL

 In the event of severe soiling it is recommended to clean the tool regularly (daily). The following parts in particular should be kept clean:

- Tension wheel (8/1)
- Toothed plate (8/2)
- Punching tools (8/3)

This is best performed by blowing out with compressed air (wear goggles).

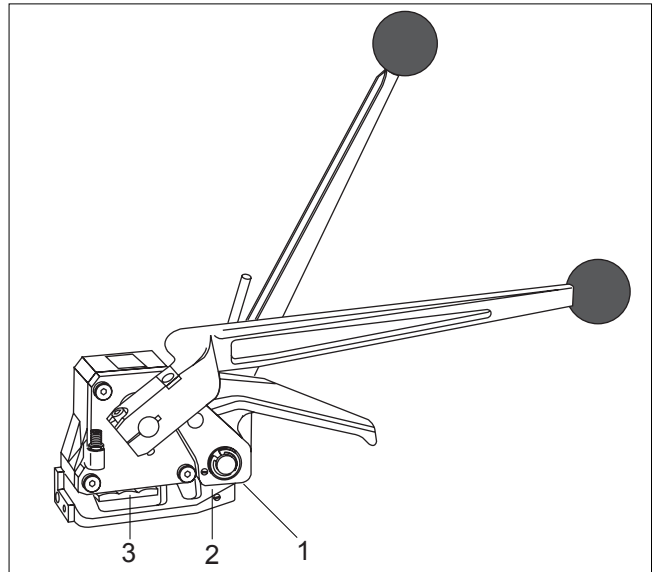



Fig. 8

### 6.2 SETTING THE CUTTING DEPTH

 The setting of the cutting depth must correspond to the thickness of the relevant strap. If set incorrectly, the sealing strength can be reduced.

- Release locknuts (9/1) and (9/2).
- Set adjusting screw (9/3) with screwdriver.
  - Turning adjusting screw clockwise increases cutting depth.
  - Turning adjusting screw counterclockwise decreases cutting depth.
- Set cutting depth so that the lower strap is not touched during cutting.
- Tighten locknuts.

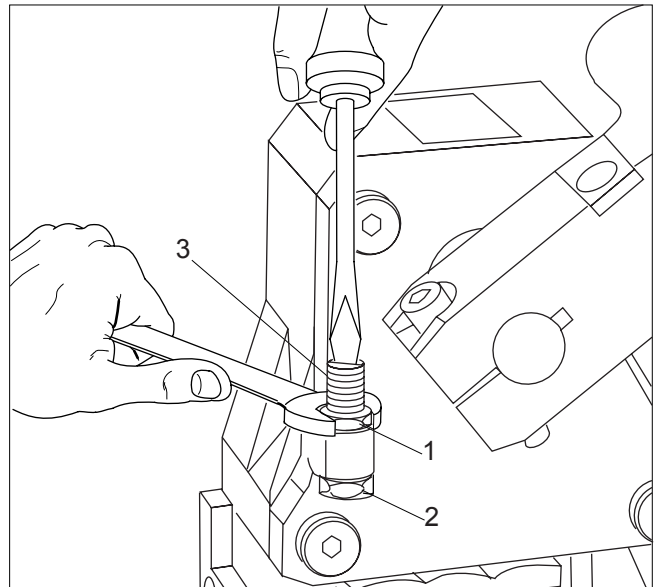


Fig. 9



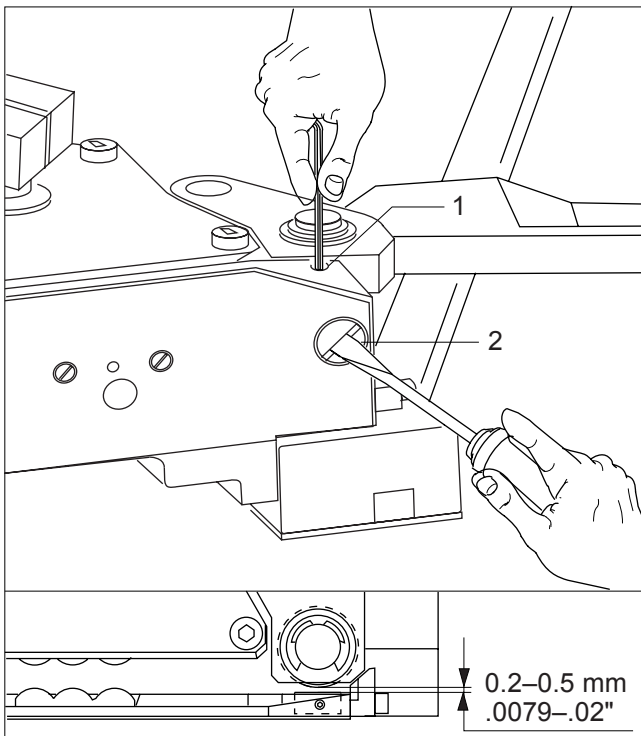


Fig. 10

### 6.3 SETTING CLEARANCE BETWEEN TENSION WHEEL AND TOOTHED PLATE

☞ The tension wheel and toothed plate must not touch (damage the teeth). If the spacing is too great, the strap slips through before the final tension is reached.

- Loosen set screw (10/1).
- Set toothed plate (10/2) with screwdriver, so that the clearance between tensioning wheel and toothed plate is 0.2–0.5 mm (.0079"–.02"). Turning clockwise decreases the clearance, turning counterclockwise increases the clearance.
- Turn toothed plate so that a notch of the toothed plate points in the direction of the set screw (10/1).
- Tighten set screw (10/1).
- Check clearance, reset if necessary.

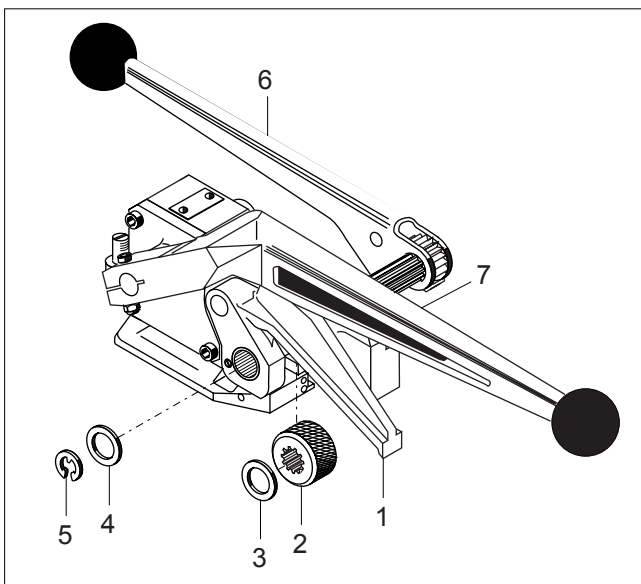


Fig. 11

### 6.4 REPLACING TENSION WHEEL

☞ If the tension wheel spins before the required strap tension is reached, the wheel must be replaced (precondition: clearance set correctly, see chapter 6.3).

#### Removal

- Remove retaining ring (11/5) and spacer washer (11/4).
- Press pawls (11/7) and draw out tension lever shaft (11/6) approx. 3 cm (1.18").
- Raise rocker lever (11/1).
- Remove tension wheel (11/2) with spacer washer (11/3) and replace tension wheel.


#### Installation

- Install the parts in reverse order.

☞ Before inserting the tension lever shaft (11/6) check that the compression springs of the pawls (11/7) are positioned correctly. Press pawls and insert tension lever shaft. Clamp pawls with tension lever shaft and insert tension wheel with disk. The 45° chamfer of the tension wheel must be outside.

- Set clearance between tension wheel and toothed plate (see chapter 6.3).

### 6.5 REPLACING CUTTING KNIFE

 If the strap is only partly cut off or not at all, the cutting knife must be replaced.

#### Removal

- Remove the four shoulder screws (12/6) and (12/5).
- Draw out cover with sealing lever (12/4).
- Raise rocker lever (12/1) and raise sealing block (12/7) slightly in housing and remove.
- Release two countersunk screws (12/2) and remove and replace cutting knife (12/3).
- Clean and grease sealing block (12/7).

#### Installation

- Install the parts in reverse order.
- Set cut-off depth after assembly (see chapter 6.2).

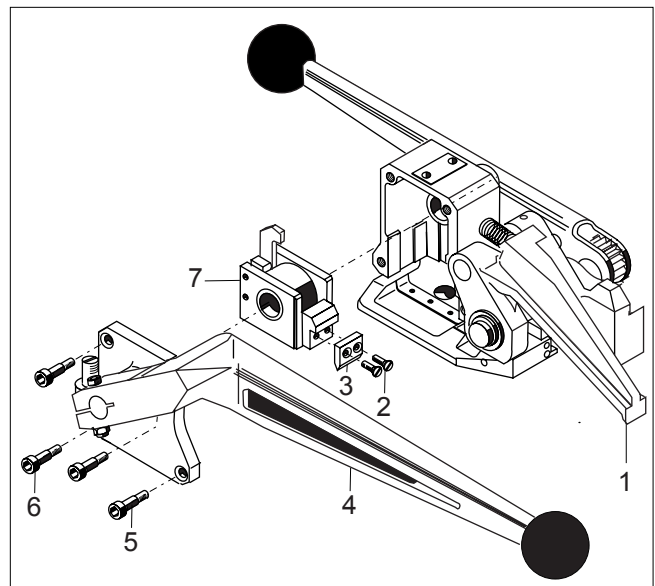



Fig. 12

### 6.6 REPLACING MATRICE AND DIE

 If the seal is no longer properly notched (seal does not grip), the matrice and the die must be checked and replaced if necessary.

#### Removal

- Remove sealing block (13/6) (see chapter 6.5).
- Remove two cylinder screws (13/4) in each case, remove and replace left and right matrice (13/5), (13/3).
- Remove two cylinder screws (13/1) and remove and replace die (13/2).

#### Installation

- Install the parts in reverse order.

 Mount new cylinder screws (13/1) and (13/4) (secure screws with Loctite 243).

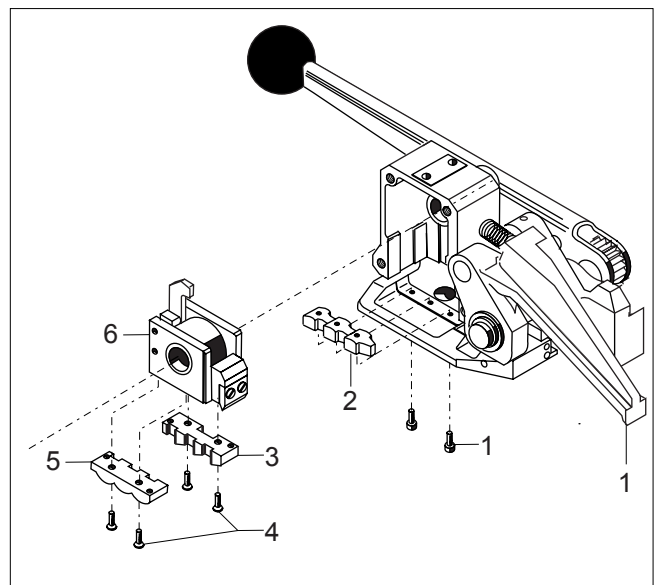


Fig. 13