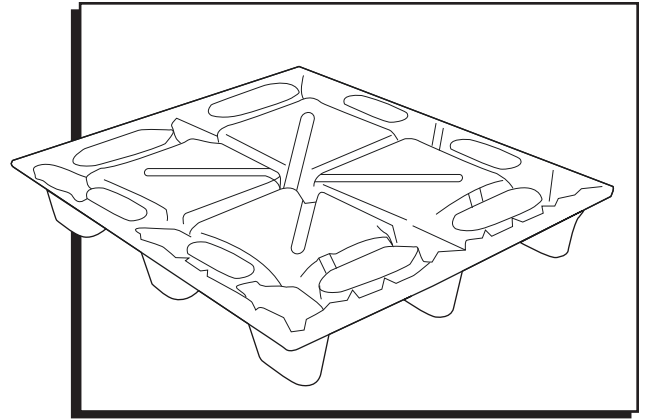
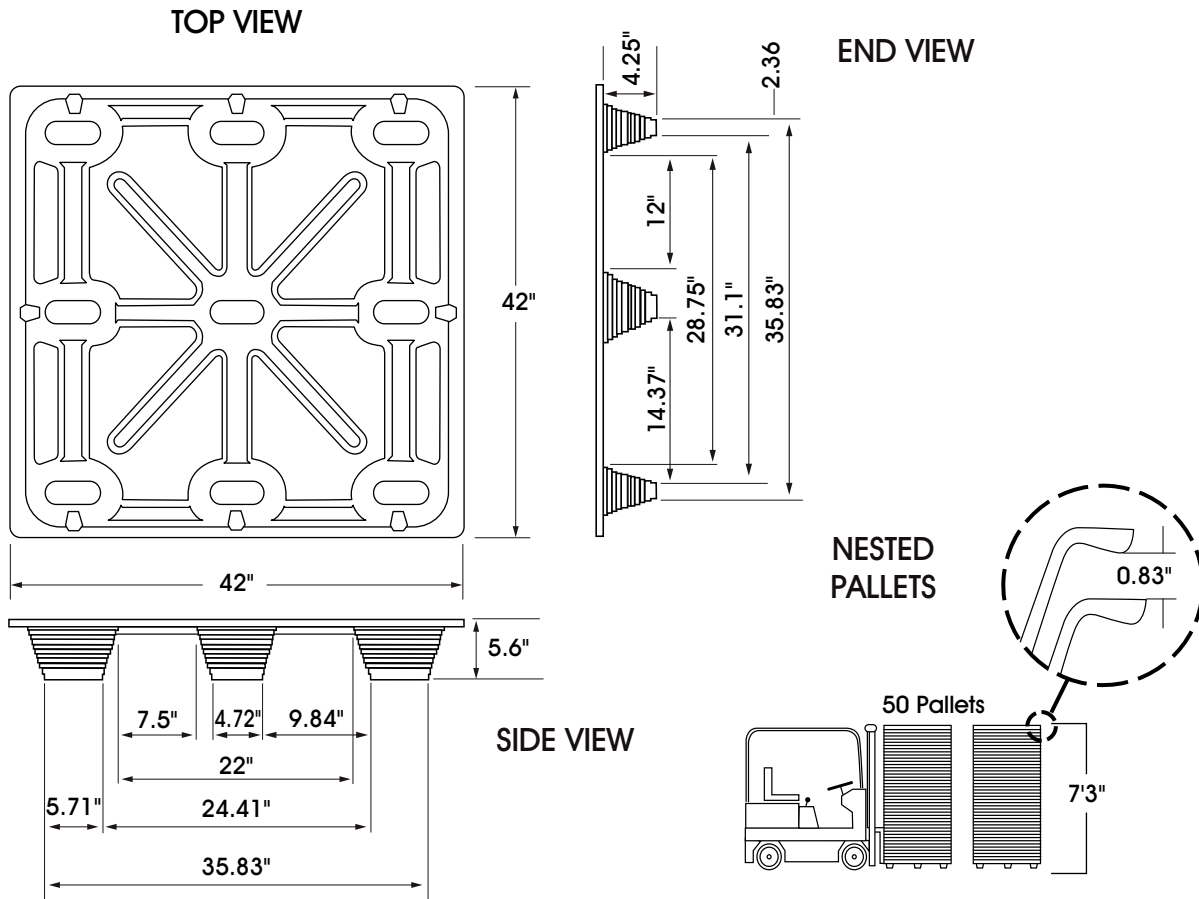


ULINE H-1818
**PRESSED WOOD
 PALLET**

1-800-295-5510
 uline.com



PRODUCT DIMENSIONS



SPECIFICATIONS

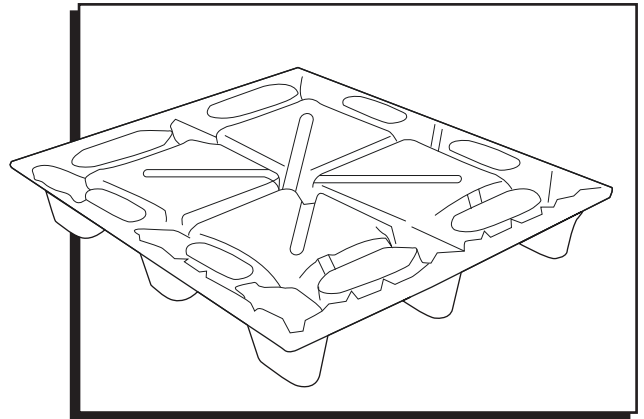
MODEL #	DIMENSIONS		HEIGHT		NESTING	NESTED TRAILER		WEIGHT CAPACITY		WEIGHT
	L	W	FORK	OVERALL		48'	53'	FLOOR	FORK	
H-1818	42"	42"	4.25"	5.6"	1.98"	1,100	1,100	20,000 lbs.	2,000 lbs.	39 lbs.

ULINE H-1818

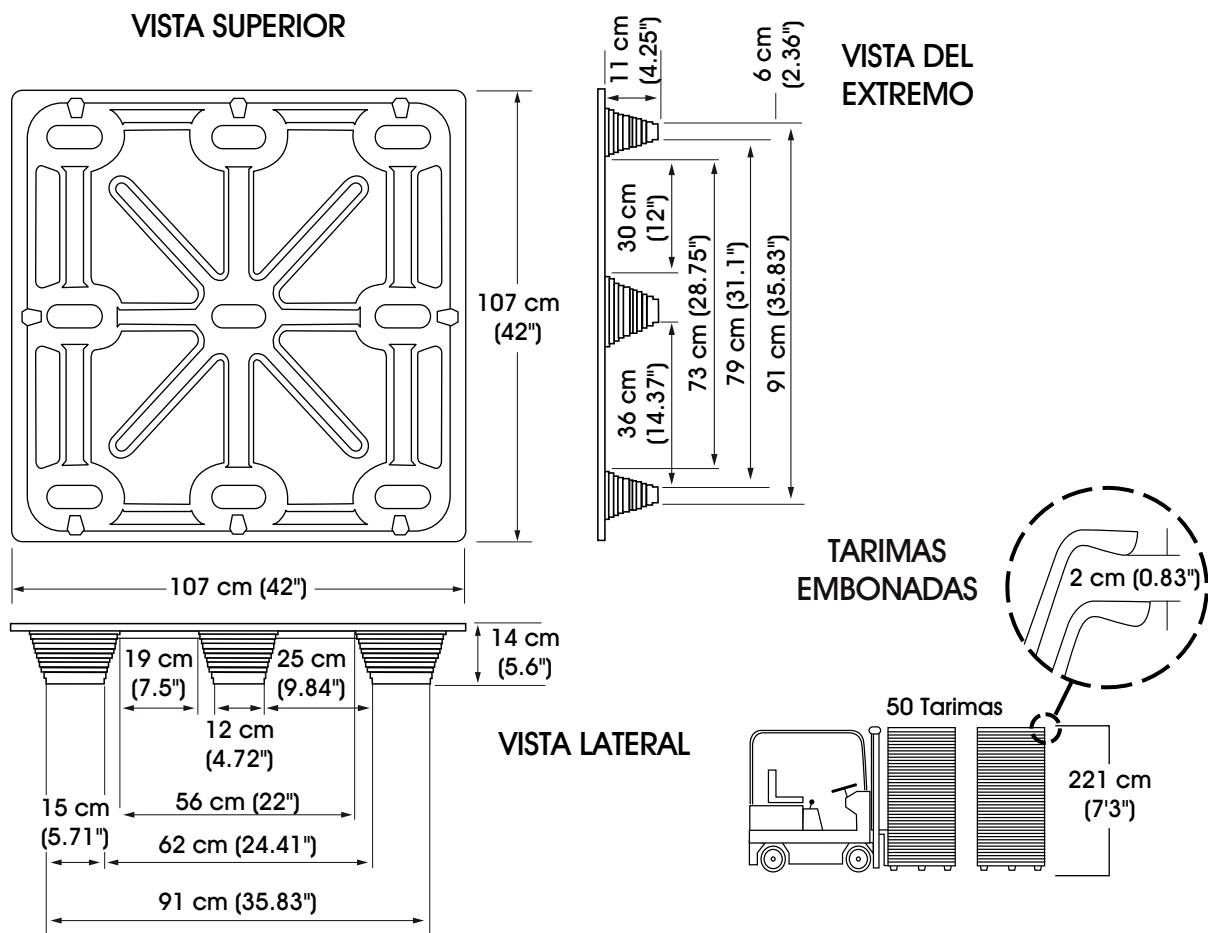
800-295-5510

uline.mx

**TARIMA DE
MADERA
PRENSADA**



DIMENSIONES DEL PRODUCTO

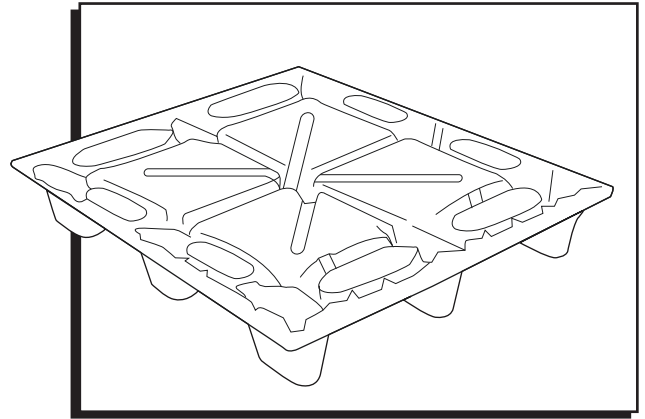


ESPECIFICACIONES

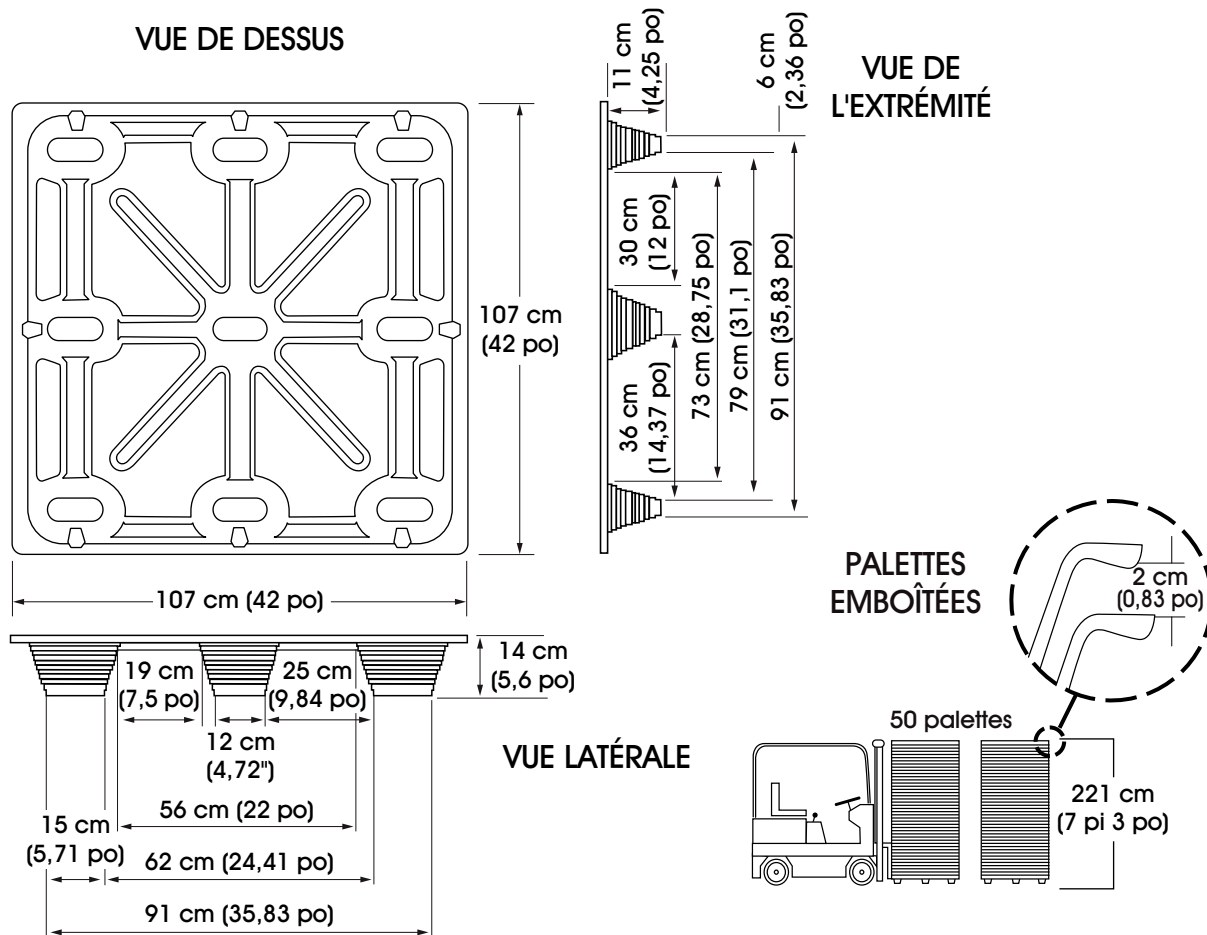
MODELO NO.	DIMENSIONES			ALTURA		EMBONADAS EN TRÁILER		CAPACIDAD DE PESO		PESO
	LARGO	ANCHO	HORQUILLA	TOTAL	EMBONABLE	14.6 m (48')	16.15 m (53')	PISO	HORQUILLA	
H-1818	107 cm (42")	107 cm (42")	11 cm (4.25")	14 cm (5.6")	5 cm (1.98")	1,100	1,100	9,071 kg (20,000 lbs.)	907 kg (2,000 lbs.)	17 kg (39 lbs.)

ULINE H-1818
PALETTE EN
BOIS PRESSÉ

1-800-295-5510
 uline.ca



DIMENSIONS DU PRODUIT



SPÉCIFICATIONS

N° DE MODÈLE	DIMENSIONS		HAUTEUR			REMORQUE EMBOÎTÉE		CAPACITÉ PONDÉRALE		POIDS
	LONG.	LARG.	FOURCHE	TOTALE	EMBOÎTEMENT	14,6 m (48 pi)	16,15 m (53 pi)	PLANCHER	FOURCHE	
H-1818	107 cm (42 po)	107 cm (42 po)	11 cm (4,25 po)	14 cm (5,6 po)	5 cm (1,98 po)	1 100	1 100	9 071 kg (20 000 lb)	907 kg (2 000 lb)	17 kg (39 lb)