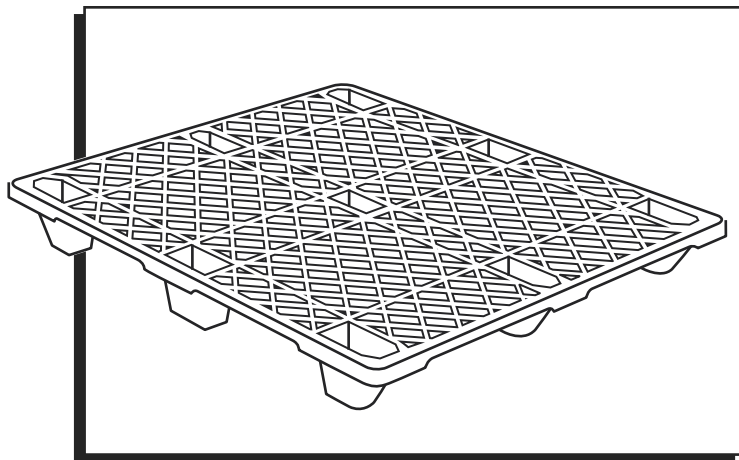


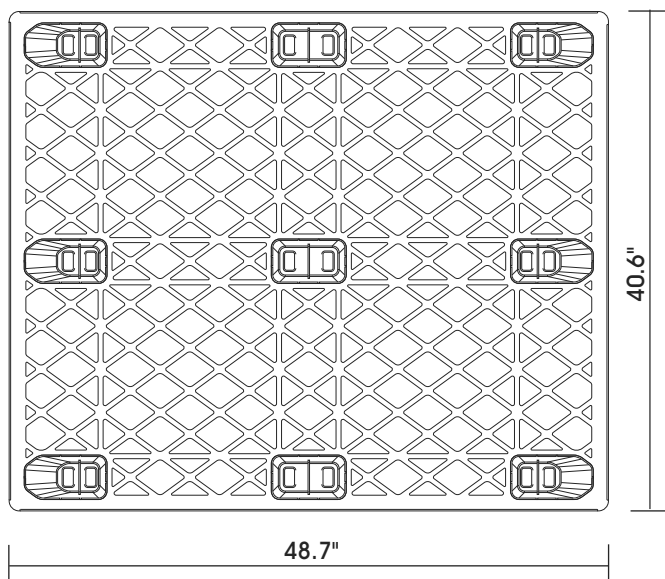
ULINE H-1730 EXPORT PALLET

1-800-295-5510
 uline.com

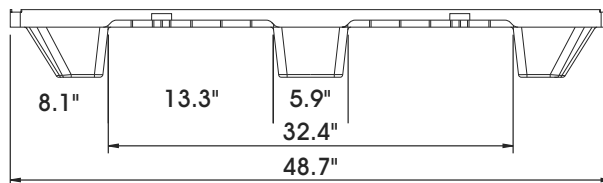


PRODUCT DIMENSIONS

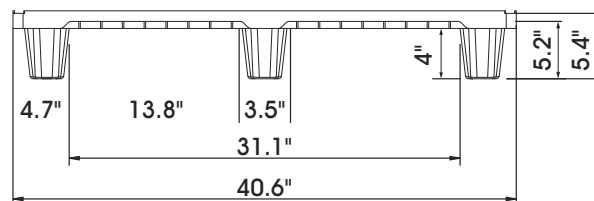
TOP VIEW



LONG SIDE VIEW



SHORT SIDE VIEW

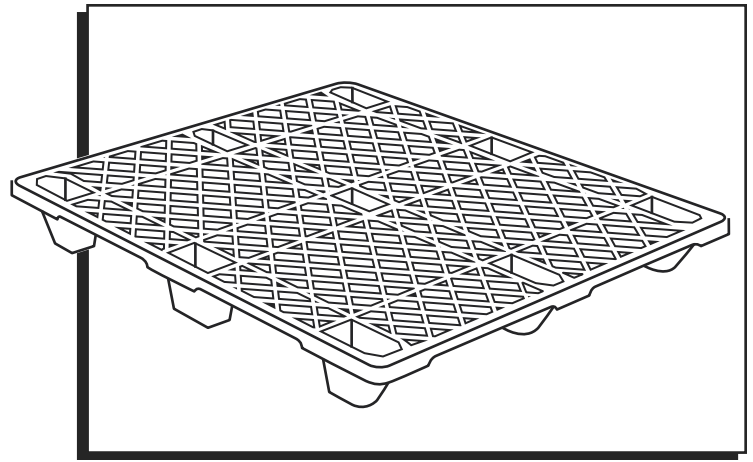


SPECIFICATIONS

| MODEL # | DIMENSIONS | | HEIGHT | | | NESTED TRAILER | | WEIGHT CAPACITY | | WEIGHT |
|---------|------------|-------|--------|---------|---------|----------------|-------|-----------------|------------|---------|
| | L | W | FORK | OVERALL | NESTING | 48' | 53' | FLOOR | FORK | |
| H-1730 | 48.7" | 40.6" | 4.0" | 5.4" | 1.5" | 1,680 | 1,800 | 3,000 lbs. | 1,200 lbs. | 14 lbs. |

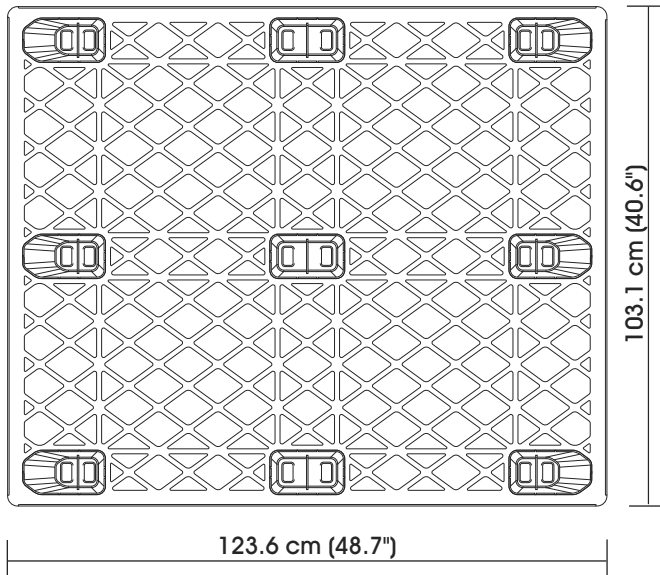
ULINE H-1730
TARIMAS PARA EXPORTACIÓN

800-295-5510
 uline.mx

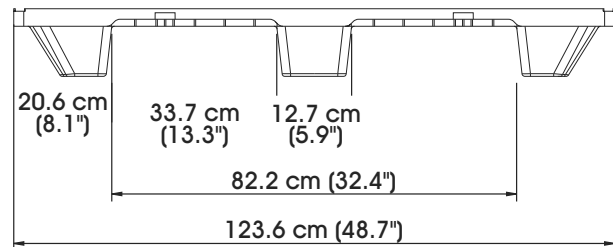


DIMENSIONES DEL PRODUCTO

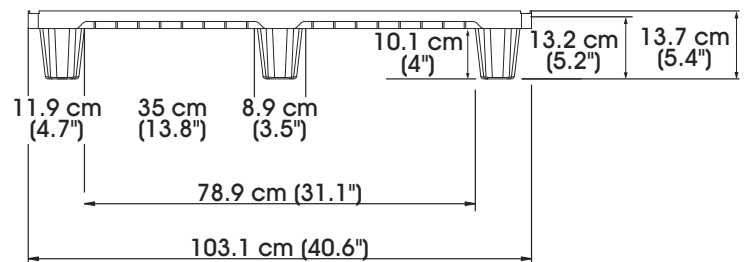
VISTA SUPERIOR



VISTA DEL LADO LARGO



VISTA DEL LADO CORTO



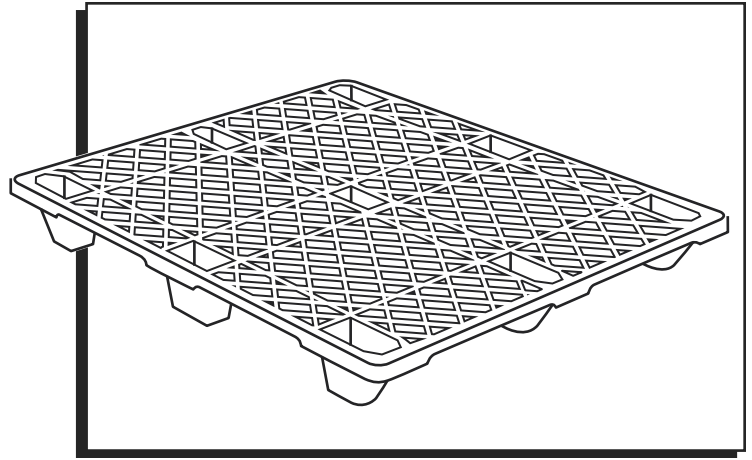
ESPECIFICACIONES

| MODELO NO. | DIMENSIONES | | ALTO | | | EMBOCADAS EN TRÁILER | | CAPACIDAD DE PESO | | PESO |
|------------|------------------|------------------|--------------|----------------|---------------|----------------------|---------------|-------------------------|-----------------------|-------------------|
| | LARGO | ANCHO | HORQUILLA | GENERAL | EMBOCADAS | 14.6 m (48') | 16.15 m (53') | PISO | HORQUILLA | |
| H-1730 | 123.6 cm (48.7") | 103.1 cm (40.6") | 10.1 cm (4") | 13.7 cm (5.4") | 3.8 cm (1.5") | 1,680 | 1,800 | 1,360.8 kg (3,000 lbs.) | 544.3 kg (1,200 lbs.) | 6.35 kg (14 lbs.) |

ULINE H-1730

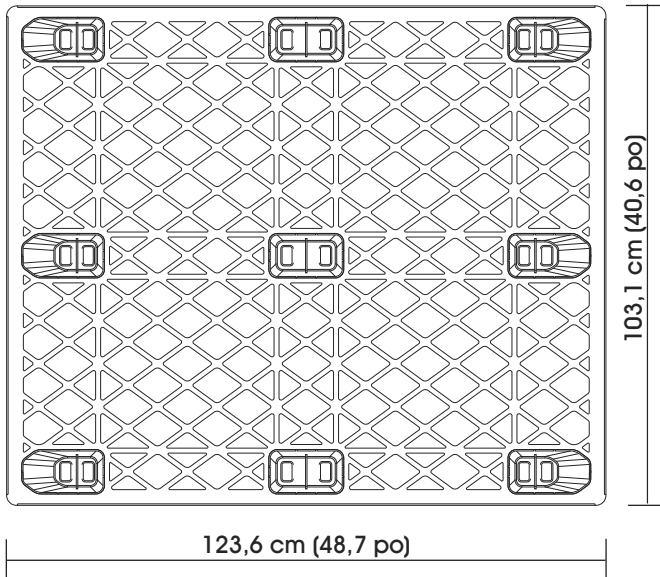
PALETTE POUR EXPORTATION

1-800-295-5510
uline.ca

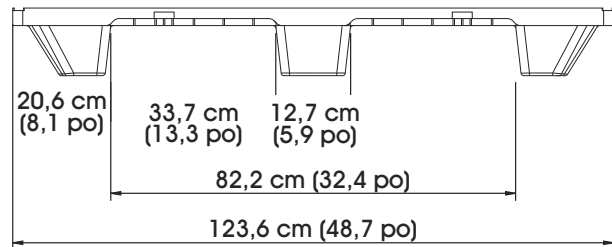


DIMENSIONS DU PRODUIT

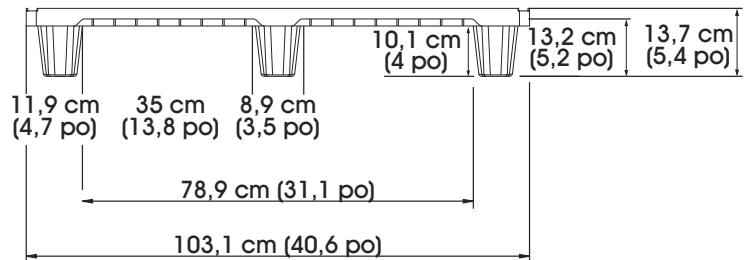
VUE DE DESSUS



VUE DU CÔTÉ LONG



VUE DU CÔTÉ COURT



SPÉCIFICATIONS

| N° DE MODÈLE | DIMENSIONS | | HAUTEUR | | | REMORQUE EMBOÎTÉE | | CAPACITÉ PONDÉRALE | | POIDS |
|--------------|--------------------|--------------------|----------------|------------------|-----------------|-------------------|-----------------|-----------------------|---------------------|-----------------|
| | LONG. | LARG. | FOURCHE | TOTALE | EMBOÎTEMENT | 14,6 m (48 pi) | 16,15 m (53 pi) | PLANCHER | FOURCHE | |
| H-1730 | 123,6 cm (48,7 po) | 103,1 cm (40,6 po) | 10,1 cm (4 po) | 13,7 cm (5,4 po) | 3,8 cm (1,5 po) | 1 680 | 1 800 | 1 360,8 kg (3 000 lb) | 544,3 kg (1 200 lb) | 6,35 kg (14 lb) |