
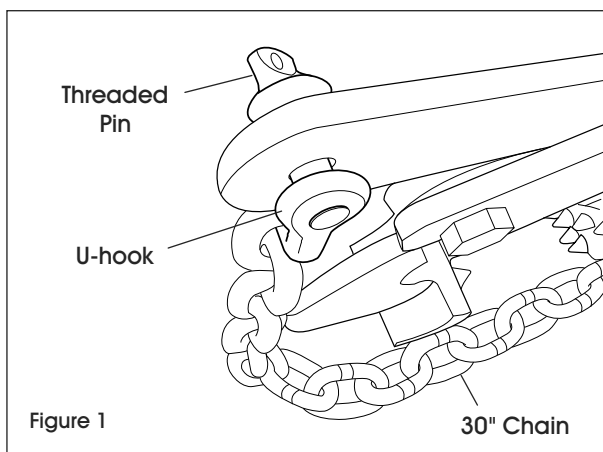


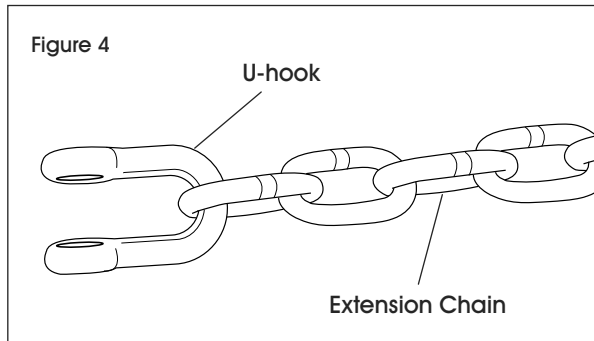
## CHAIN REPLACEMENT INSTRUCTIONS

 **NOTE:** Follow these instructions to replace the 30" chain (included with pallet puller) with a longer extension chain.

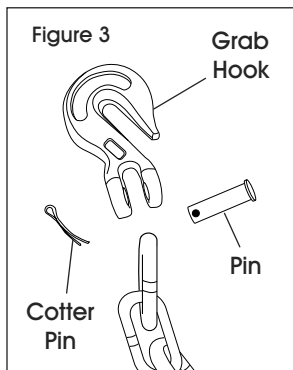
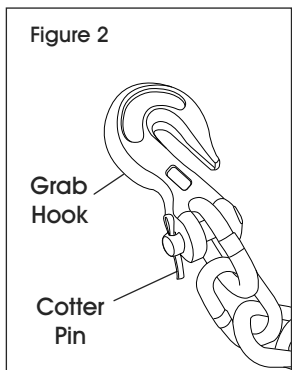
1. Remove 30" chain from pallet puller by unscrewing threaded pin from U-hook. Set hardware aside. (See Figure 1)



3. Insert U-hook through each end of extension chain. (See Figure 4)



2. Remove cotter pin to separate grab hook from each end of extension chain. (See Figures 2-3)



4. Attach U-hooks to pallet puller using threaded pins. (See Figure 5)

