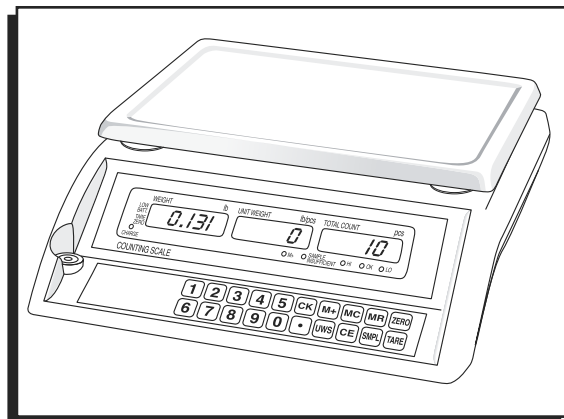


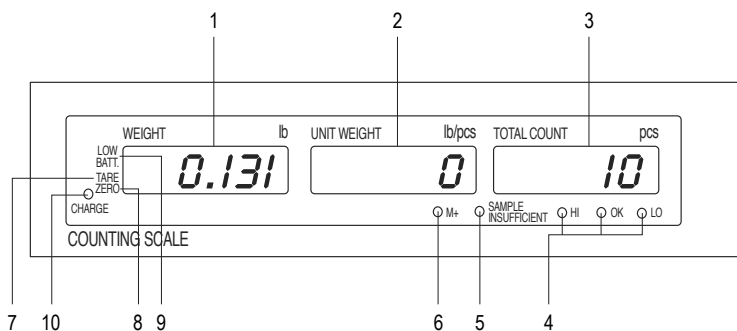
ULINE H-1121, H-1122
H-1123
**ECONOMY
COUNTING SCALE**

1-800-295-5510
uline.com

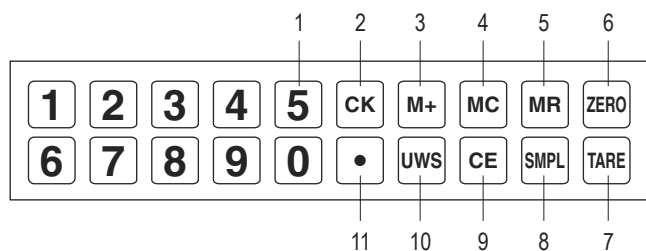


OVERVIEW OF CONTROLS

DISPLAY



KEYPAD



DISPLAY DEFINITIONS

#	NAME	DESCRIPTION
1	Weight	Displays the total weight.
2	Unit Weight	Displays the unit weight.
3	Total Count	Displays the number of counted items.
4	HI, LO, OK	Indicators for check counting function.
5	Sample Insufficient	Indicates when sample size is less than 10 pcs or unit weight is smaller than 4/5 of minimum weighing capacity.
6	M+	Indicates when accumulating.
7	TARE	TARE shown on the display indicating tare weight is set.
8	ZERO	ZERO shown on the display after reset of the weight to zero.
9	Low Batt	Symbol shown on the display indicating battery low. Recharging the battery is required.
10	Charge	Light is red when charging. Light is green when charge is completed.

KEYPAD DEFINITIONS

#	NAME	DESCRIPTION
1	0-9	Numeric Keys
2	CK	Check key. Used when keying in the amount to check.
3	M+	Add to the memory.
4	MC	Memory clear. Clears out what has been stored into the memory.
5	MR	Memory recall. Displays what has been entered into the memory.
6	ZERO	If there is a minor weight displayed, without anything on the platform, hit the zero key to clear the display.
7	TARE	The tare key zeros out the weight of a container being used to hold small parts.
8	SMPL	Sample key. Used when keying in sample amount.
9	CE	Clear key. Clears out the unit weight displayed.
10	UWS	Used when manually keying in the unit weight.
11	.	Decimal key.

SETUP

SELECTING THE LOCATION

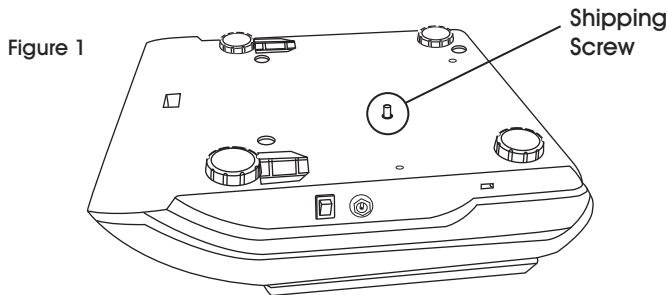
The scale should always be used in an environment that is free from excessive air currents, corrosives, vibration and temperature or humidity extremes. These factors will affect displayed weight readings.

Avoid placing the scale next to or near:

- Open windows or doors.
- Air conditioning or heat vents.
- Vibrating, rotating or reciprocating equipment.
- Magnetic fields.
- Equipment that generates magnetic fields.
- Direct sunlight.
- An unstable work surface.
- A dusty environment.

REMOVING THE SHIPPING SCREW

- Remove shipping screw from bottom of scale before using. (See Figure 1)



INSTALLING THE PLATFORM

Place the platform on top of the scale.

LEVELING

The scale is equipped with a level indicator located to the left of the keypad. Use the adjustable leveling feet located on the bottom of the scale until the bubble appears in the center circle of the indicator.

CONNECTING POWER

The scale can operate continuously by connecting directly to AC power or operate 120 hours on a fully charged battery.

AC ADAPTER

Plug the AC adapter into the jack on the left side of the scale.

BATTERY

The scale is equipped with a rechargeable battery.

When the battery voltage is low, a battery symbol will start blinking in the left display. The scale will automatically turn off 8 hours after the blinking has started.

Plug the AC adapter in to recharge the battery. The battery display window is located on the front panel on the left side, next to the word CHARGE. When the display is RED, the battery is being charged. It will take 8 hours to fully charge the battery. When the display is GREEN, the scale has been charged to its full capacity.

OPERATION

TURNING THE SCALE ON/OFF

Only power the scale on with an empty platform.

1. Power switch is located on the left side of the scale. Press the power switch and the scale will start to count down from nine to zero and will display the version in the WEIGHT display. The scale is then ready for use.

 **NOTE:** Allow scale to warm up for at least 20 minutes before use.

2. Press the power switch again, to turn the scale off.

CHANGE UNIT OF MEASURE

1. Turn off the scale.
2. Hold down the **SMPL** key and turn on the scale at the same time.
3. Enter 1-1-3-2 and press the **SMPL** key. The words SETu will be shown in the weight display and -Lb- in the total count display.

4. Press 1 to change the unit of measure. The words SETu will be shown in the weight display and -g- in the total count display.
5. Press the **SMPL** key to accept.
6. Press the **SMPL** key again then press the **ZERO** key. Scale will restart.

CALIBRATION

The scale is delivered pre-calibrated. There is no need to calibrate the scale unless you feel it has become inaccurate. You must use a precision test weight to properly calibrate the scale. The test weight cannot exceed the scale's capacity.

 **NOTE:** Calibration can only be done in metric system weight (kg).

OPERATION CONTINUED

CALIBRATION WEIGHTS (METRIC ONLY)

Model #	1/3 weight	2/3 weight	Full capacity
H-1121	2 kg	4 kg	6 kg
H-1122	5 kg	10 kg	15 kg
H-1123	10 kg	20 kg	30 kg

SPAN CALIBRATION

- Turn off the scale.
- Hold down the **SMPL** key and turn on the scale.
 - 0 will be displayed in the UNIT WEIGHT display.
 - 0 will be displayed in the TOTAL COUNT display.
- Press 1-1, then press **SMPL**.
 - CAL. will be displayed in the WEIGHT display.
 - Blinking 0 will be displayed in the UNIT WEIGHT display.
 - H9- will be displayed in the TOTAL COUNT display.
 - After 10-15 seconds, zero calibration is completed and the scale is now ready to be calibrated. CAL will be in the weight display.
- Press 1 to choose the weight of 1/3, 2/3 or full capacity for calibration. Put the 1/3, 2/3 or full capacity on the platform (kg unit). Press the • key to confirm.
- After 10-15 seconds, the WEIGHT display will show PASS.
- Remove the weights, press the SMPL key then the ZERO key.
 - Scale will restart.

THREE-POINT CALIBRATION

- Start with the scale off.
- While holding the **TARE** key, switch the scale on.
This will be displayed:



- Remove all weights from the platform and press the **TARE** key.
- On0 will be displayed on the WEIGHT display:



- Once the WEIGHT display goes to On1, place 1/3 of the scale capacity on the platform (in KG):



- The WEIGHT display will then go to On2, place 2/3 of the scale capacity on the platform (in KG):



- The WEIGHT display will then go to On3, place the full scale capacity on the platform (in KG):



- If the calibration is successful, the scale will display PASS in the WEIGHT display:



- Remove weights from the platform, then press **TARE** to return to weighing mode.

WEIGHING

- Place item to be weighed on the scale platform.
- Weight will be shown in the WEIGHT display.

COUNTING

Use this mode to count parts of uniform weight.

SAMPLE OF UNIT WEIGHT

The scale cannot determine how many pieces are on a platform without a sample.

- Put the objects intended for sampling on the platform.
- Key in the sample quantity. This number will blink in the UNIT WEIGHT display.
- Press the **SMPL** key. The calculated unit weight will then be shown in the UNIT WEIGHT display, and the number of objects is now shown in the TOTAL COUNT display.
- Put on the remaining objects. The total quantity will then be displayed.

MANUAL ENTRY OF UNIT WEIGHT

Enter a known unit weight by pressing the value first, followed by the **UWS** key. You must key in the unit weight using the metric system form. (Move the decimal point over to the right 3 places.)

EXAMPLE: You know your unit weight is .0014 lbs. If you want to key in the weight manually, you would key in 0.014 and hit the UWS key.

UNIT WEIGHT RECALCULATING

The unit weight will be averaged again if you add the remaining quantity gradually, by several lots. This will help eliminate errors caused by the possible weight variation among each object and lead to more accurate results.

OPERATION CONTINUED

When adding objects to the pan, be sure that the quantity is LESS THAN those already on the platform. An alarm will sound a beep when the unit weight is averaged again.

LACK OF UNIT WEIGHT

If the unit weight is no more than 4/5 of the set display resolution (accuracy) or less than a 10 piece sample, the sample insufficient light will blink in the lower-right corner of the UNIT WEIGHT display, reminding the user that the unit weight is too small for accurate quantity calculations.

MODEL	MINIMUM PIECE WEIGHT	MINIMUM SAMPLE WEIGHT
H-1121	.0005 lbs.	.020 lbs.
H-1122	0.001 lbs.	.040 lbs.
H-1123	0.002 lbs.	.080 lbs.

If the unit weight is too light, another scale is needed. Continuing to use this scale will result in less accurate results.

TARE

When weighing an item that is in a container, taring stores the container weight to memory.

To store the tare weight into memory and set the WEIGHT display as zero:

1. Place an empty container on the platform.
2. Press **TARE**. The word TARE will be displayed in the lower left of the WEIGHT display.

The container's weight is then stored in the scale's memory.

3. Add pieces to the container. As the pieces are added, their net weight will be displayed.

Removing the container from the platform will cause the scale to display the container's weight as a negative number. Pressing the **TARE** or **ZERO** key will readjust the scale to zero.

CHECK COUNTING

Users can set a number for counting check. When the number of objects on the platform is equal to or larger than the preset checking number, the alarm sound beeps repeatedly.

SET CHECK COUNT

1. Press **CK** key. CH will blink in the WEIGHT display and the Hi setting will be shown in the UNIT WEIGHT display.
2. Key in the desired checking number.
3. Press the • key to switch to Lo setting.

4. Key in the desired number.
5. Press **CK** again to accept.

CLEAR CHECK COUNT

1. Press the **CK** key.
2. Press the • key twice to reset.

ACCUMULATION

Use the **M+**, **MR** and **MC** keys to add, recall or clear weight, accumulation times and total count.

ACCUMULATE DATA

Press the **M+** key after the weight and total count has been calculated and displayed. **M+** will light up.

The scale will show the accumulated weight in the WEIGHT display, "ALL XX" (or ALL X) in the UNIT WEIGHT display (XX represents the total accumulation times; at the most 99 accumulations can be accepted), and the total quantity in the TOTAL COUNT display.

ADDING ADDITIONAL LOTS

Remove the current lot of objects from the platform. Put on the next lot of objects and press the **M+** key again. New data will then be added to the memory.

RECALL DATA

Stored data can be recalled by pressing the **MR** key. When this is pressed, the scale will show the accumulated data. Total weight will be shown in the WEIGHT display and the total quantity will be shown in the TOTAL COUNT display.

The UNIT WEIGHT display will show ALL XX (or ALL X). XX represents the total accumulated times.

Press **MR** repeatedly and the scale will show the stored data from item 1 to the last item (at most, 9 individual items will be displayed). The UNIT WEIGHT display will show ACC XX or ACC X to indicate the number of the displayed item.

All the recalled data will be displayed in revolving order if **MR** is pressed repeatedly.

CLEAR DATA

Press the **MC** key to clear the stored data. When **MC** is pressed in the normal weighing mode, or in the memory recall mode with accumulated data displayed (the UNIT WEIGHT display shows ALL XX), the UNIT WEIGHT display will show ALL 0, and both the accumulated data and the individual item will be cleared.

If **MC** is pressed in the memory recall mode, when the individual item is displayed (the UNIT WEIGHT display shows ACC XX), only the displayed individual item will be cleared.

SET UP MENU

TO ENTER SET UP MENU

1. Turn off the scale.
2. Press and hold the **ZERO** key while turning on the scale. The display will show SET SCALE FUNC.

BACKLIGHT

The backlight is provided for better visibility when the scale is used in a dark environment.

1. Press 0 and display will show SEt0 Light OnOFF.

SEt0	Light	OnOFF
------	-------	-------

2. Continue to press 0 to choose setup:
 - ON: Backlight will always be ON.
 - ONOFF: Backlight will be ON only when there is something on the platform and it is greater than 9 times of the set display accuracy.
 - OFF: Backlight will always be off.
 - 2: Backlight stays on for 2 seconds after weight is applied to scale.
 - 5: Backlight stays on for 5 seconds after weight is applied to scale.
 - 10: Backlight stays on for 10 seconds after weight is applied to scale.
3. Press **ZERO** to return back to the weighing/counting mode.

AUTO POWER-OFF

When the auto power-off time is enabled, the scale will automatically turn off when there has been no load on the platform and the scale is stable at zero position for a specific period of time (in minutes).

SEt3	OFFt	OFF
------	------	-----

1. Press 3 and the display will show SEt3 OFFt OFF.
2. Five options exist: 5, 10, 30, 60 minutes and OFF are available.
3. Continue to press 3 to choose the desired setup. When OFF is chosen, the Auto Power-Off feature is not enabled and the scale will remain on.

4. Press **ZERO** to return back to the weighing/counting mode.

MOTION FILTERING

This function is provided for weighing vibrating objects or to prevent the scale from vibration, which will affect the stability of the scale.

SEt2	Filt	- 1 -
------	------	-------

1. Press 2 and the display will show SEt2 Filt -1-.
2. Continue to press 2 to choose motion filtering level as 1 or 2.
 - Level 1: Reaction is faster, effect to filter vibration is worse.
 - Level 2: Reaction is slower, effect to filter vibration is better.
3. Press **ZERO** to return back to the weighing/counting mode.

TURNING CHECK COUNTING SOUNDS ON/OFF

When in the check counting mode, alarm sounds can be enabled.

SEt7	bEEP	nbEEP
------	------	-------

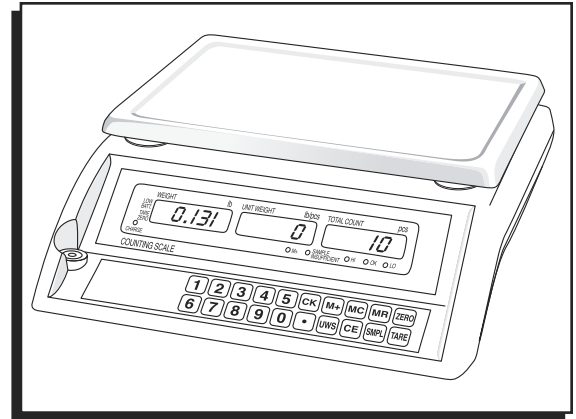
1. Press 7 and the display will show SEt7 bEEP nbEEP.
2. Continue to press 7 to choose the correct setup.
 - Un: Beep sounds when quantities are over the setting of Hi.
 - In: Beep sounds when quantities are within the setting of Hi and Lo, including the Hi and Lo limits.
 - no: Beep sounds when quantities are out of Hi and Lo setting.
 - Lo: Beep sounds when quantities are below the setting of Lo.
 - nbeep: No beep alert.
3. Press **ZERO** to return back to weighing/counting mode.

TROUBLESHOOTING

OPERATING ISSUE	RECOMMENDATIONS
Not displaying accurate weights.	Make sure all shipping material has been removed (foam protective screw, etc.). Make sure there is nothing on the platform when the scale is turned on.
Scale is indicating insufficient sample.	Make sure sample and piece weight meet the scales minimum requirements.
Scale shuts off or will not turn on.	Remove battery and plug the scale in. If the scale works, you will need to replace the battery.
Error 2.	Make sure shipping screw is removed from bottom of scale. Perform three point calibration.

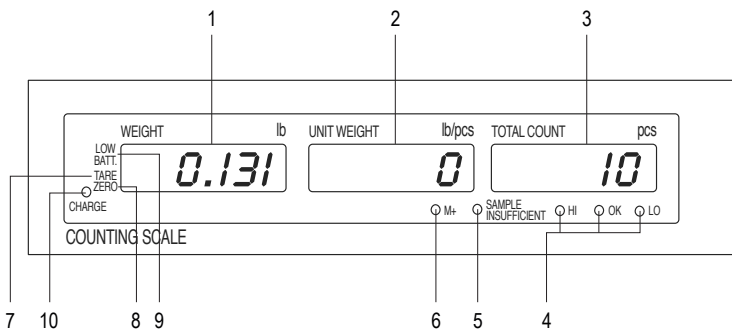
If the problem persists, or if the troubleshooting section does not resolve or describe your problem, contact Uline Customer Service at 1-800-295-5510.

**BÁSCULA
ECONÓMICA
CONTADORA DE PIEZAS**

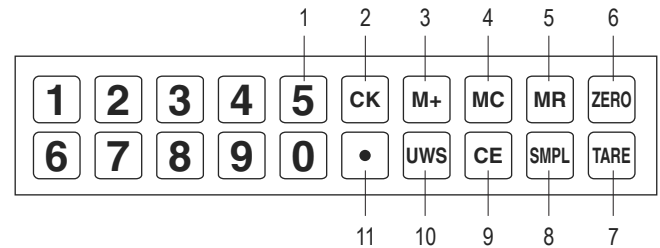


RESUMEN DE LOS CONTROLES

PANTALLA



TECLADO



DEFINICIONES DE LA PANTALLA

#	NOMBRE	DESCRIPCIÓN
1	Weight	Muestra el peso total.
2	Unit Weight	Muestra el peso unitario.
3	Total Count	Muestra el número total de artículos contados.
4	HI, LO, OK	Indicadores para comprobar la función de conteo.
5	Sample Insufficient	Indica que el tamaño de la muestra es inferior a 10 piezas o que el peso unitario es inferior a 4/5 de la capacidad de pesaje mínima.
6	M+	Indica la acumulación.
7	TARE	Se muestra la palabra TARE (Tara) en la pantalla para indicar que hay un peso de tara fijado.
8	ZERO	Se muestra la palabra ZERO (Cero) en la pantalla una vez se ha restablecido el peso a cero.
9	Low Batt	Símbolo mostrado en la pantalla para indicar que el nivel de batería es bajo y que es necesario recargarla.
10	Charge	La luz es roja cuando se está cargando y verde cuando la carga se ha completado.

DEFINICIONES DEL TECLADO

#	NOMBRE	DESCRIPCIÓN
1	0-9	Teclas numéricas
2	CK	Tecla de comprobación. Usada al ingresar la cantidad que se debe comprobar.
3	M+	Agregar a la memoria.
4	MC	Borrar memoria. Borra lo que se ha almacenado en la memoria.
5	MR	Recuperación de la memoria. Muestra lo que se ha almacenado en la memoria.
6	ZERO	Si se muestra un peso pequeño, y no hay nada colocado en la plataforma, presione la tecla ZERO (Cero) para borrar la pantalla.
7	TARE	La tecla TARE (Tara) pone a cero el peso de un contenedor usado para sostener piezas pequeñas.
8	SMPL	Tecla de muestra. Usada al ingresar la cantidad de muestra.
9	CE	Tecla de borrar. Borra el peso unitario mostrado.
10	UWS	Usada al ingresar manualmente el peso unitario.
11	.	Tecla decimal.

CONFIGURACIÓN

SELECCIONAR LA UBICACIÓN

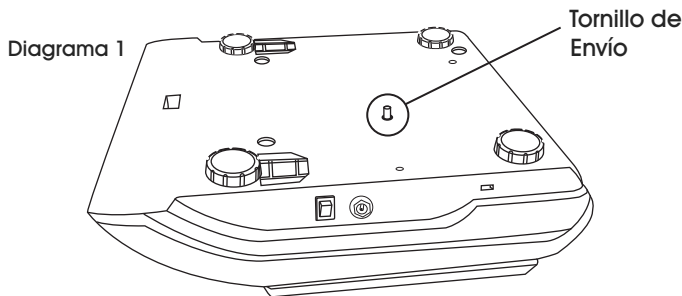
La báscula deberá usarse siempre en un entorno que esté libre de excesivas corrientes de aire, corrosivos, vibraciones y temperaturas o niveles de humedad extremos. Estos factores afectarán a las lecturas de peso mostradas.

Evite colocar la báscula junto a o cerca de:

- Puertas o ventanas abiertas.
- Rejillas de ventilación de aire acondicionado o calefacción.
- Equipos que vibren, giren o de vaivén.
- Campos magnéticos.
- Equipos que generen campos magnéticos.
- Exposición directa al sol.
- Una superficie de trabajo inestable.
- Un entorno polvoriento.

QUITAR EL TORNILLO DE ENVÍO

- Quite el tornillo de envío de la parte inferior de la báscula antes de usarla. (Vea Diagrama 1)



COLOCAR LA PLATAFORMA

Coloque la plataforma sobre la báscula.

NIVELACIÓN

La báscula está equipada con un indicador de nivelación ubicado a la izquierda del teclado. Use las patas de nivelación ajustables ubicadas en la parte inferior de la báscula hasta que la burbuja se muestre en el círculo central del indicador.

CONECTAR LA FUENTE DE ALIMENTACIÓN

La báscula puede funcionar de manera ininterrumpida conectándola directamente a una fuente de alimentación de CA o funcionar durante 120 horas con la batería completamente cargada.

ADAPTADOR DE CA

Enchufe el adaptador de CA a la entrada ubicada a la izquierda de la báscula.

BATERÍA

La báscula está equipada con una batería recargable.

Cuando el voltaje de la batería sea bajo, un símbolo de la batería comenzará a parpadear en la pantalla izquierda. La báscula se apagará automáticamente 8 horas después de que haya comenzado dicho parpadeo.

Enchufe el adaptador AC para recargar la batería. La pantalla de la batería está ubicada a la izquierda del panel delantero, junto a la palabra CHARGE (CARGA). Cuando la pantalla se muestre en ROJO, la batería se está cargando. Se requerirán 8 horas para cargar la batería completamente. Cuando la pantalla se muestre en VERDE, la batería se habrá cargado a su capacidad máxima.

FUNCIONAMIENTO

ENCENDER/APAGAR LA BÁSCULA

Ponga en funcionamiento la báscula únicamente si la plataforma está vacía.

1. El interruptor de energía está ubicado en el lado izquierdo de la báscula. Presione el interruptor de energía y la báscula comenzará a contar de nueve a cero y mostrará la versión en la pantalla WEIGHT (PESO). La báscula estará lista para usar.

 **NOTA:** Permita que la báscula se inicie durante al menos 20 minutos antes de usarla.

2. Presione el interruptor de energía de nuevo para apagar la báscula.

CAMBIAR LA UNIDAD DE MEDIDA

1. Apague la báscula.
2. Mantenga presionada la tecla **SMPL** y encienda la báscula al mismo tiempo.
3. Ingrese 1-1-3-2 y presione la tecla **SMPL**. Se mostrará la palabra SETu en la pantalla WEIGHT (PESO) y -Lb- en la pantalla TOTAL COUNT (CONTEO TOTAL).

4. Presione 1 para cambiar la unidad de medida. Se mostrará la palabra SETu en la pantalla WEIGHT (PESO) y -g- en la pantalla TOTAL COUNT (CONTEO TOTAL).
5. Presione la tecla **SMPL** para aceptar.
6. Presione la tecla **SMPL** de nuevo y luego presione la tecla **ZERO** (Cero). La báscula se reiniciará.

CALIBRACIÓN

La báscula se envía previamente calibrada. No hay necesidad de calibrar la báscula a menos que piense que ha perdido precisión. Debe usar un peso de prueba de precisión para calibrar la báscula de manera adecuada. El peso de prueba No puede exceder la capacidad de la báscula.

 **NOTA:** La calibración solo puede realizarse en el peso del sistema métrico (kg).

CONTINUACIÓN DE FUNCIONAMIENTO

PESAS DE CALIBRACIÓN (SOLO SISTEMA MÉTRICO)

Modelo No.	1/3 del peso	2/3 del peso	Capacidad total
H-1121	2 kg	4 kg	6 kg
H-1122	5 kg	10 kg	15 kg
H-1123	10 kg	20 kg	30 kg

CALIBRACIÓN DE INTERVALO

1. Apague la báscula.
2. Mantenga presionada la tecla **SMPL** y encienda la báscula.
 - Se mostrará un 0 en la pantalla UNIT WEIGHT (PESO UNITARIO).
 - Se mostrará un 0 en la pantalla TOTAL COUNT (CONTEO TOTAL).
3. Presione **1-1** y luego presione **SMPL**.
 - Se mostrará el texto **CAL.** en la pantalla WEIGHT (PESO).
 - Se mostrará un 0 intermitente en la pantalla UNIT WEIGHT (PESO UNITARIO).
 - Se mostrará **-H9-** en la pantalla TOTAL COUNT (CONTEO TOTAL).
 - Después de 10-15 segundos, la calibración cero se habrá completado y la báscula estará lista para la calibración. Se mostrará el texto **CAL.** en la pantalla WEIGHT (PESO).
4. Presione **1** para elegir el peso de 1/3, 2/3 o capacidad total para la calibración. Coloque el 1/3, 2/3 o la capacidad total en la plataforma (unidad: kg). Presione la tecla **•** para confirmar.
5. Después de 10-15 segundos, la pantalla WEIGHT (PESO) mostrará el texto **PASS**.
6. Quite el peso, presione la tecla **SMPL** y luego la tecla **ZERO** (Cero).
 - La báscula se reiniciará.

CALIBRACIÓN DE TRES PUNTOS

1. Comience con la báscula apagada.
2. Manteniendo presionado el botón **TARE** (Tara), encienda la báscula.
Se mostrará lo siguiente:



3. Quite todo el peso de la plataforma y presione la tecla **TARE** (Tara).
4. La pantalla WEIGHT (PESO) mostrará el texto **On0**:



5. Una vez que la pantalla WEIGHT (PESO) pase a mostrar **On1**, coloque 1/3 de la capacidad de la báscula sobre la plataforma (en kg):



6. La pantalla WEIGHT (PESO) pasará a mostrar **On2**, coloque 2/3 de la capacidad de la báscula sobre la plataforma (en kg):



7. La pantalla WEIGHT (PESO) pasará a mostrar **On3**, coloque la capacidad total de la báscula sobre la plataforma (en kg):



8. Si la calibración se lleva a cabo con éxito, la pantalla WEIGHT (PESO) de la báscula mostrará el texto **PASS**:



9. Quite el peso de la plataforma y presione **TARE** (Tara) para regresar al modo de pesaje.

PESAJE

1. Coloque el artículo que desea pesar en la plataforma de la báscula.
2. El peso se mostrará en la pantalla WEIGHT (PESO).

CONTEO

Use este modo para contar partes de un peso uniforme.

MUESTRA DEL PESO UNITARIO

La báscula no puede determinar cuántas piezas hay colocadas sobre una plataforma sin una muestra.

1. Coloque los objetos que van a servir de muestra sobre la plataforma.
2. Ingrese la cantidad de la muestra. Este número parpadeará en la pantalla UNIT WEIGHT (PESO UNITARIO).
3. Presione la tecla **SMPL**. El peso unitario calculado se mostrará en la pantalla UNIT WEIGHT (PESO UNITARIO) y el número de objetos pasará a mostrarse en la pantalla TOTAL COUNT (CONTEO TOTAL).
4. Coloque los objetos restantes sobre la plataforma. Se mostrará la cantidad total.

INGRESO MANUAL DEL PESO UNITARIO

Ingrese un peso unitario conocido presionando el valor primero, seguido de la tecla **UWS**. Deberá ingresar el peso unitario usando la forma del sistema métrico. (Mueva el punto decimal 3 posiciones a la derecha).

EJEMPLO: Usted sabe que su peso unitario es .0014 lbs. Si desea ingresar el peso de forma manual, deberá ingresar 0.014 y presionar la tecla **UWS**.

VOLVER A CALCULAR EL PESO UNITARIO

El peso unitario se calculará de nuevo si agrega la cantidad restante gradualmente, dividida en varios lotes. Esto ayudará a eliminar errores causados por la posible variación del peso entre cada uno de los objetos y proporcionará resultados más precisos.

CONTINUACIÓN DE FUNCIONAMIENTO

Al agregar objetos a la plataforma, asegúrese de que la cantidad sea INFERIOR a la cantidad ya colocada sobre la plataforma. Una alarma emitirá un pitido cuando el peso unitario se promedie de nuevo.

FALTA DE PESO UNITARIO

Si el peso unitario no es superior a 4/5 de la resolución marcada en la pantalla (precisión) o es inferior a una muestra de 10 piezas, la luz de muestra insuficiente parpadeará en la esquina inferior derecha de la pantalla UNIT WEIGHT (PESO UNITARIO), recordando al usuario que el peso unitario es muy bajo para realizar cálculos precisos de cantidades.

MODELO	PESO DE PIEZA MÍNIMO	PESO DE MUESTRA MÍNIMO
H-1121	0.227 g (.0005 lbs.)	9.072 g (.020 lbs.)
H-1122	0.454 g (0.001 lbs.)	18.144 g (.040 lbs.)
H-1123	0.907 g (0.002 lbs.)	36.287 g (.080 lbs.)

Si el peso unitario es demasiado ligero, será necesario usar otra báscula. Si se continúa usando esta báscula, los resultados serán menos precisos.

TARA

Al realizar el pesaje de un artículo que está en un contenedor, la tara almacena el peso del contenedor en la memoria.

Para almacenar el peso de tara en la memoria y poner la pantalla WEIGHT (PESO) a cero:

1. Coloque un contenedor vacío sobre la plataforma.
2. Presione TARE (Tara). Se mostrará el texto TARE en la parte inferior izquierda de la pantalla WEIGHT (PESO).

A continuación se almacenará el peso del contenedor en la memoria de la báscula.

3. Agregue las piezas al contenedor. Conforme agregue las piezas, se mostrará su peso neto.

Si retira el contenedor de la plataforma, la báscula mostrará el peso del contenedor como un número negativo. Presionar el botón TARE (Tara) o ZERO (Cero) volverá a poner la báscula a cero.

COMPROBACIÓN DE CONTEO

Los usuarios pueden establecer un número para realizar la comprobación del conteo. Cuando el número de objetos colocados sobre la plataforma es igual a o superior al número de comprobación preestablecido, la alarma pita repetidamente.

CONFIGURAR LA COMPROBACIÓN DE CONTEO

1. Presione la tecla CK. El texto CH parpadeará en la pantalla WEIGHT (PESO) y se mostrará la configuración Hi en la pantalla UNIT WEIGHT (PESO UNITARIO).
2. Ingrese el número de comprobación deseado.
3. Presione la tecla • para cambiar a la configuración Lo.

4. Ingrese el número deseado.
5. Presione CK de nuevo para aceptar.

BORRAR LA COMPROBACIÓN DE CONTEO

1. Presione la tecla CK.
2. Presione la tecla • dos veces para reiniciar.

ACUMULACIÓN

Use las teclas M+, MR y MC para agregar, recuperar o borrar pesos, veces de acumulación y conteos totales.

ACUMULACIÓN DE DATOS

Presione la tecla M+ después de que el peso y el conteo total se hayan calculado y mostrado. La tecla M+ se iluminará.

La báscula mostrará el peso acumulado en la pantalla WEIGHT (PESO), "ALL XX" (o ALL X) en la pantalla UNIT WEIGHT (PESO UNITARIO) (XX representa las veces de acumulación total; se aceptan un máximo de 99 acumulaciones) y la cantidad total en la pantalla TOTAL COUNT (CONTEO TOTAL).

AGREGAR LOTES ADICIONALES

Quite el lote de objetos actual de la plataforma. Coloque sobre la plataforma el siguiente lote de objetos y presione la tecla M+ de nuevo. Se agregarán los nuevos datos a la memoria.

RECUPERACIÓN DE DATOS

Los datos almacenados pueden recuperarse presionando la tecla MR. Cuando se presione esta tecla, la báscula mostrará los datos acumulados. El peso total se mostrará en la pantalla WEIGHT (PESO) y la cantidad total se mostrará en la pantalla TOTAL COUNT (CONTEO TOTAL).

La pantalla UNIT WEIGHT (PESO UNITARIO) mostrará ALL XX (o ALL X). XX representa las veces de acumulación total.

Presione MR repetidamente y la báscula mostrará los datos almacenados desde el artículo 1 hasta el artículo final (se mostrarán un máximo de 9 artículos individuales). La pantalla UNIT WEIGHT (PESO UNITARIO) mostrará ACC XX o ACC X para indicar el número del artículo mostrado.

Todos los datos recuperados se mostrarán en orden rotatorio si se presiona MR repetidamente.

BORRAR DATOS

Presione el botón MC para borrar los datos almacenados. Al presionar MC en el modo de pesaje normal, o en el modo de recuperación de memoria con los datos acumulados mostrados (la pantalla UNIT WEIGHT (PESO UNITARIO) mostrará ALL XX), la pantalla UNIT WEIGHT (PESO UNITARIO) mostrará ALL 0 y tanto los datos acumulados como el artículo individual se borrarán.

Si se presiona MC en el modo de recuperación de memoria cuando se muestra un artículo individual (la pantalla UNIT WEIGHT (PESO UNITARIO) muestra ACC XX), solo se borrará el artículo individual.

MENÚ DE CONFIGURACIÓN

PARA ACCEDER AL MENÚ DE CONFIGURACIÓN

1. Apague la báscula.
2. Presione y mantenga presionada la tecla **ZERO** (Cero) al encender la báscula. La pantalla mostrará el texto SET SCALE FUNC. (CONFIGURAR FUNCIONES DE LA BÁSCULA).

RETROILUMINACIÓN

La retroiluminación permite una mejor visibilidad de la báscula cuando se usa en un entorno oscuro.

1. Presione 0 y la pantalla mostrará el texto SET0 Light OnOFF.

SET0 Light OnOFF

2. Continúe presionando el 0 para elegir la configuración:

- ON (ENCENDIDA): La retroiluminación siempre estará encendida.
- ONOFF (ENCENDIDA/APAGADA): La retroiluminación estará encendida solo cuando haya algo colocado sobre la plataforma que sea 9 veces mayor a la precisión marcada en la pantalla.
- OFF (APAGADA): La retroiluminación siempre estará apagada.
- 2: La retroiluminación permanece encendida hasta 2 segundos después de que se haya colocado el peso en la báscula.
- 5: La retroiluminación permanece encendida hasta 5 segundos después de que se haya colocado el peso en la báscula.
- 10: La retroiluminación permanece encendida hasta 10 segundos después de que se haya colocado el peso en la báscula.

3. Presione **ZERO** (Cero) para volver al modo de pesaje/conteo.

APAGADO AUTOMÁTICO

Cuando el temporizador de apagado automático esté activado, la báscula se apagará automáticamente cuando no se haya colocado ningún peso sobre la plataforma y la báscula esté estable en la posición de cero durante un periodo de tiempo específico (en minutos).

SET3 OFFt OFF

1. Presione 3 y la pantalla mostrará el texto SET3 OFFt OFF.
2. Hay cinco opciones: 5, 10, 30, 60 minutos y OFF (APAGADO) son las opciones disponibles.
3. Continúe presionando el 3 para elegir la configuración deseada. Cuando se elige OFF (APAGADO), la función de apagado automático no está activada y la báscula continuará encendida.
4. Presione **ZERO** (Cero) para volver al modo de pesaje/conteo.

FILTRO DE MOVIMIENTO

Esta función se ofrece para el pesaje de objetos que vibren o para evitar que la báscula vibre, lo que afectará a la estabilidad de la báscula.

SET2 FilT - 1 -

1. Presione 2 y la pantalla mostrará el texto SET2 FilT -1-.
2. Continúe presionando el 2 para fijar el nivel del filtro de movimiento en la posición 1 o 2.
 - Nivel 1: La reacción es más rápida, el efecto para filtrar la vibración es peor.
 - Nivel 2: La reacción es más lenta, el efecto para filtrar la vibración es mejor.
3. Presione **ZERO** (Cero) para volver al modo de pesaje/conteo.

ENCENDER/APAGAR LOS SONIDOS DE COMPROBACIÓN DE CONTEO

En el modo de comprobación de conteo, se pueden activar sonidos de alarma.

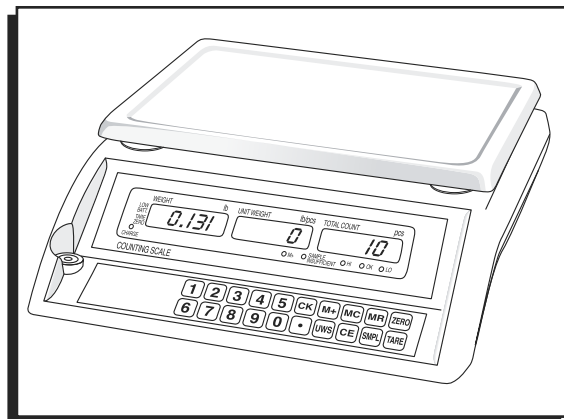
SET7 bEEP nbEEP

1. Presione 7 y la pantalla mostrará el texto SET7 bEEP nbEEP.
2. Continúe presionando el 7 para elegir la configuración correcta.
 - Un: Un pitido suena cuando las cantidades están por encima de la configuración de Hi.
 - In: Un pitido suena cuando las cantidades están dentro de los límites de la configuración de Hi y Lo, incluidos los límites de Hi y Lo.
 - no: Un pitido suena cuando las cantidades están fuera de los límites de la configuración de Hi y Lo.
 - Lo: Un pitido suena cuando las cantidades están por debajo de la configuración de Lo.
 - nbeep: Sin pitido de alerta.
3. Presione **ZERO** (Cero) para volver al modo de pesaje/conteo.

SOLUCIÓN DE PROBLEMAS

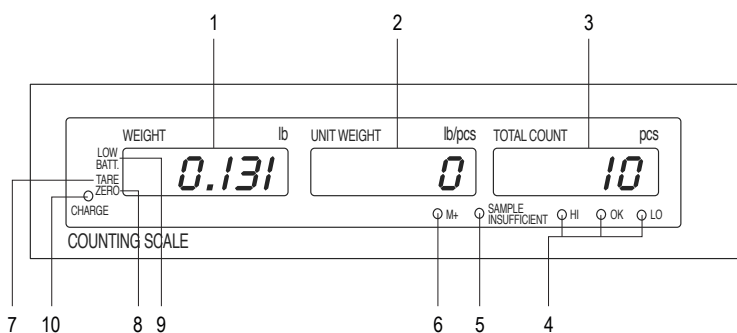
PROBLEMA DE FUNCIONAMIENTO	RECOMENDACIONES
No se muestran pesos precisos.	Asegúrese de que se han retirado todos los materiales de envío (tornillo protector de espuma, etc.). Asegúrese de que no hay nada colocado sobre la plataforma y de que la báscula está encendida.
Si la báscula indica que la muestra es insuficiente.	Asegúrese de que el peso de la muestra y de la pieza cumplan los requisitos mínimos de la báscula.
La báscula se apaga o no se enciende.	Quite la batería y enchufe la báscula. Si la báscula funciona deberá reemplazar la batería.
Error 2.	Asegúrese de haber quitado el tornillo de envío de la parte inferior de la báscula. Lleve a cabo una calibración de tres puntos.

Si el problema persiste, o si la sección de solución de problemas no soluciona su problema, llame a la línea de Servicio a Clientes de Uline al 01-800-295-5510.



APERÇU DES COMMANDES

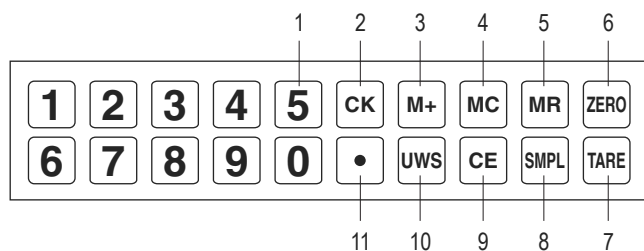
AFFICHAGE



ÉLÉMENTS DE L'AFFICHAGE

#	NOM	DESCRIPTION
1	Weight	Affiche le poids total.
2	Unit Weight	Affiche le poids unitaire.
3	Total Count	Affiche le nombre d'articles comptés.
4	HI, LO, OK	Indicateurs de vérification de la fonction de comptage.
5	Sample Insufficient	Indique lorsque la taille de l'échantillon est inférieure à 10 unités ou lorsque le poids unitaire est inférieur à 4/5 de la capacité de pesage minimale.
6	M+	Indique lorsqu'il y a accumulation.
7	TARE	TARE apparaît sur l'affichage pour indiquer que la tare est définie.
8	ZERO	ZERO apparaît sur l'affichage lorsque le poids a été réinitialisé.
9	Low Batt	Le symbole apparaît sur l'affichage pour indiquer que la pile est faible et doit être rechargée.
10	Charge	Le voyant est rouge pendant la charge, le voyant est vert lorsque la charge est terminée.

CLAVIER



ÉLÉMENTS DU CLAVIER

#	NOM	DESCRIPTION
1	0-9	Touches numériques
2	CK	Touche de vérification. Utilisée lors de la saisie de la quantité à vérifier.
3	M+	Ajouter à la mémoire.
4	MC	Effacer la mémoire. Efface ce qui a été stocké dans la mémoire.
5	MR	Rappel de mémoire. Affiche ce qui a été entré dans la mémoire.
6	ZERO	Si un poids minime est affiché alors qu'il n'y a rien sur la plateforme, appuyez sur la touche zéro pour remettre l'affichage à zéro.
7	TARE	La touche de tare élimine le poids d'un contenant utilisé pour contenir de petites pièces.
8	SMPL	Touche d'échantillon. Utilisée lors de la saisie de la quantité de l'échantillon.
9	CE	Touche d'effacement. Efface le poids unitaire affiché.
10	UWS	Utilisée lors de la saisie manuelle du poids unitaire.
11	.	Touche de décimal.

INSTALLATION

CHOIX DE L'EMPLACEMENT

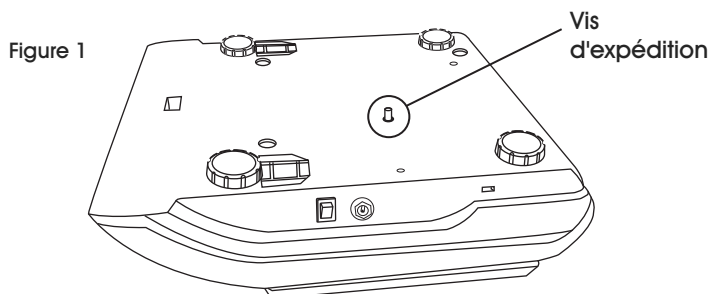
La balance doit toujours être utilisée dans un environnement qui n'est pas exposé à de courts d'air élevés, des substances corrosives, des vibrations et des conditions de température ou d'humidité extrêmes. Ces facteurs auront une incidence sur le poids affiché.

Évitez de placer la balance à côté ou près de :

- Fenêtres ou portes ouvertes.
- Bouches de climatisation ou de chaleur.
- Équipement vibrant, rotatif ou alternatif.
- Champs magnétiques.
- Équipement générant des champs magnétiques.
- Lumière directe du soleil.
- Une surface de travail instable.
- Un environnement poussiéreux.

RETRAIT DE LA VIS D'EXPÉDITION

- Retirez la vis d'expédition située en dessous de la balance avant de l'utiliser. (Voir Figure 1)



INSTALLATION DE LA PLATEFORME

Placez la plateforme sur le dessus de la balance.

MISE À NIVEAU

La balance est dotée d'un indicateur de niveau situé à la gauche du clavier. Utilisez les pieds de nivellement réglables de la balance jusqu'à ce que la bulle apparaisse dans le cercle central de l'indicateur.

BRANCHEMENT

La balance peut fonctionner de façon continue en étant branchée directement à un circuit d'alimentation ou fonctionner pendant 120 heures avec une pile complètement chargée.

ADAPTATEUR D'ALIMENTATION

Branchez l'adaptateur d'alimentation dans la prise sur le côté gauche de la balance.

PILE

La balance est dotée d'une pile rechargeable.

Lorsque la tension de la pile est faible, le voyant de pile se met à clignoter sur l'affichage. La balance s'éteindra automatiquement 8 heures après que le clignotement eut commencé.

Branchez l'adaptateur d'alimentation pour recharger la pile. Le voyant de pile est situé sur le panneau avant du côté gauche, à côté du mot CHARGE. Lorsque le voyant est ROUGE, la pile est en charge. La pile nécessite 8 heures pour être complètement chargée. Le voyant devient VERT lorsque la balance a été chargée à sa pleine capacité.

FONCTIONNEMENT

ALLUMER ET ÉTEINDRE LA BALANCE

La plateforme doit être vide lorsque vous allumez la balance.

1. L'interrupteur d'alimentation se trouve du côté gauche de la balance. Appuyez sur l'interrupteur d'alimentation et la balance commencera un compte à rebours de neuf à zéro et affichera la version dans l'affichage du POIDS. La balance est prête à être utilisée.

 **REMARQUE :** Laissez la balance se réchauffer pendant au moins 20 minutes avant de l'utiliser.

2. Appuyez de nouveau sur l'interrupteur d'alimentation pour éteindre la balance.

MODIFICATION DE L'UNITÉ DE MESURE

1. Éteignez la balance.
2. Maintenez la touche **SMPL** enfoncée et allumez la balance en même temps.
3. Entrez 1-1-3-2 et appuyez sur la touche **SMPL**. Les mots SETu seront indiqués sur l'affichage du poids et -Lb- sur l'affichage du compte total.

4. Appuyez sur 1 pour modifier l'unité de mesure. Les mots SETu seront indiqués sur l'affichage du poids et -g- sur l'affichage du compte total.
5. Appuyez sur la touche **SMPL** pour accepter.
6. Appuyez de nouveau sur la touche **SMPL**, puis appuyez sur la touche **ZERO**. La balance redémarrera.

ÉTALONNAGE

La balance est livrée préétalonnée. Il n'est pas nécessaire d'étalonner la balance, sauf si vous jugez qu'elle est devenue inexacte. Vous devez utiliser un poids d'essai de précision pour étalonner adéquatement la balance. Le poids d'essai ne doit pas dépasser la capacité de la balance.

 **REMARQUE :** L'étalonnage ne peut s'effectuer qu'en unités de poids du système métrique (kg).

FONCTIONNEMENT SUITE

POIDS D'ÉTALONNAGE (MÉTRIQUE SEULEMENT)

N° de modèle	1/3 du poids	2/3 du poids	Total de la capacité
H-1121	2 kg	4 kg	6 kg
H-1122	5 kg	10 kg	15 kg
H-1123	10 kg	20 kg	30 kg

ÉTALONNAGE DE L'INTERVALLE DE MESURE

1. Éteignez la balance.
2. Maintenez la touche **SMPL** enfoncée et allumez la balance.
 - 0 sera indiqué sur l'affichage du POIDS UNITAIRE.
 - 0 sera indiqué sur l'affichage du COMPTE TOTAL.
3. Appuyez sur **1-1**, puis appuyez sur **SMPL**.
 - CAL. sera indiqué sur l'affichage du POIDS.
 - 0 clignotera sur l'affichage du POIDS UNITAIRE.
 - -H9- sera indiqué sur l'affichage du COMPTE TOTAL.
4. Appuyez sur **1** pour choisir le poids de 1/3, 2/3 ou au total de la capacité pour l'étalonnage. Déposez le poids de 1/3, 2/3 ou au total de la capacité sur la plateforme (en kg). Appuyez sur la touche **•** pour confirmer.
5. Après 10 à 15 secondes, l'affichage du POIDS indiquera **PASS**.
6. Retirez les poids, appuyez sur la touche **SMPL**, puis sur la touche **ZERO**.
 - La balance redémarrera.

ÉTALONNAGE À TROIS POINTS

1. Commencez avec la balance éteinte.
2. Tout en maintenant la touche **TARE** enfoncée, allumez la balance. Voici ce qui sera affiché :



3. Retirez tous les poids de la plateforme et appuyez sur la touche **TARE**.
4. On0 sera indiqué sur l'affichage du POIDS :



5. Lorsque l'affichage du poids passe à On1, déposez le 1/3 de la capacité de la balance sur la plateforme (en KG) :



6. L'affichage du POIDS passera alors à On2; déposez le 2/3 de la capacité de la balance sur la plateforme (en KG) :



7. L'affichage du POIDS passera alors à On3; déposez le total de la capacité de la balance sur la plateforme (en KG) :



8. Si l'étalonnage est réussi, la balance affichera **PASS** sur l'affichage du POIDS :



9. Retirez les poids de la plateforme, puis appuyez sur **TARE** pour revenir au mode de pesage.

PESAGE

1. Placez l'article à peser sur la plateforme de la balance.
2. Le poids sera indiqué sur l'affichage du POIDS.

COMPTAGE

Utilisez ce mode pour le comptage d'articles de même poids.

ÉCHANTILLON D'UN POIDS UNITAIRE

La balance ne peut pas déterminer le nombre d'articles se trouvant sur la plateforme sans un échantillon.

1. Déposez les objets destinés à l'échantillonnage sur la plateforme.
2. Saisissez la quantité d'échantillons. Ce numéro clignotera sur l'affichage du POIDS UNITAIRE.
3. Appuyez sur la touche **SMPL**. Le poids unitaire calculé est alors indiqué sur l'affichage du POIDS UNITAIRE et le nombre d'objets est maintenant indiqué sur l'affichage de COMPTE TOTAL.
4. Déposez les objets restants. La quantité totale sera alors indiquée.

SAISIE MANUELLE DU POIDS UNITAIRE

Entrez un poids unitaire connu en appuyant sur la première valeur, puis sur la touche **UWS**. Vous devez entrer le poids unitaire en utilisant le système métrique. (Déplacez le point décimal de trois positions vers la droite).

EXEMPLE : Vous savez que votre poids unitaire est de ,0014 lb. Si vous voulez entrer manuellement le poids, vous pouvez saisir 0,014 et appuyer sur la touche **UWS**.

RECALCULER LE POIDS UNITAIRE

La moyenne du poids unitaire sera calculée de nouveau si vous ajoutez la quantité restante progressivement, par plusieurs lots. Cela aidera à éliminer les erreurs causées par la possible variation de poids entre chaque objet et fournir des résultats plus précis.

FONCTIONNEMENT SUITE

Lorsque vous ajoutez des objets sur le plateau, assurez-vous que la quantité est **INFÉRIEURE** à la quantité des objets se trouvant déjà sur la plateforme. Un bip se fera entendre lorsque la moyenne du poids unitaire sera calculée de nouveau.

POIDS UNITAIRE FAIBLE

Si le poids unitaire ne dépasse pas 4/5 de la résolution d'affichage (précision) définie ou que l'échantillon comprend moins de 10 unités, le voyant d'échantillon insuffisant clignotera dans le coin inférieur droit de l'affichage du **POIDS UNITAIRE**, rappelant à l'utilisateur que le poids unitaire est trop faible pour calculer la quantité de façon précise.

MODÈLE	POIDS MINIMAL D'UN ÉLÉMENT	POIDS MINIMAL D'UN ÉCHANTILLON
H-1121	,0005 lb	,020 lb
H-1122	0,001 lb	,040 lb
H-1123	0,002 lb	,080 lb

Si le poids unitaire est trop faible, une autre balance est nécessaire. Les résultats seront moins précis si vous continuez d'utiliser cette balance.

TARE

Lors de la pesée d'un élément devant être placé dans un contenant, le tarage enregistre le poids du contenant.

Pour enregistrer la tare et réinitialiser l'affichage du **POIDS** :

1. Placez un contenant vide sur la plateforme.
2. Appuyez sur **TARE**. Le mot **TARE** sera indiqué dans le coin inférieur gauche de l'affichage du **POIDS**.

Le poids du contenant est ensuite enregistré dans la mémoire de la balance.

3. Ajoutez les éléments dans le contenant. Au fur et à mesure que les éléments sont ajoutés, leur poids net sera affiché.

Lorsque vous retirez le contenant de la plateforme, la balance affiche le poids du contenant en tant que valeur négative. Si vous appuyez sur la touche **TARE** ou **ZERO**, la balance se réinitialisera.

VÉRIFICATION DE COMPTAGE

Les utilisateurs peuvent définir un certain nombre pour vérifier le comptage. Lorsque le nombre d'objets sur la plateforme est égal ou plus grand que le nombre de vérification prédéfini, un bip se fait entendre à répétition.

DÉFINIR LA VÉRIFICATION DE COMPTAGE

1. Appuyez sur la touche **CK**. **CH** clignotera sur l'affichage du **POIDS** et le réglage **Hi** sera indiqué sur l'affichage du **POIDS UNITAIRE**.
2. Saisissez le nombre de vérification souhaité.
3. Appuyez sur la touche **•** pour basculer au réglage **Lo**.

4. Saisissez le nombre souhaité.
5. Appuyez de nouveau sur **CK** pour accepter.

EFFACER LA VÉRIFICATION DE COMPTAGE

1. Appuyez sur la touche **CK**.
2. Appuyez deux fois sur la touche **•** pour réinitialiser.

ACCUMULATION

Utilisez les touches **M+**, **MR** et **MC** pour ajouter, rappeler ou effacer un poids, le nombre d'accumulations et le compte total.

DONNÉES D'ACCUMULATION

Appuyez sur la touche **M+** après que le poids et le compte total eurent été calculés et affichés. Le témoin **M+** s'allumera.

La balance indiquera le poids accumulé sur l'affichage du **POIDS**, « **ALL XX** » (ou **ALL X**) sur l'affichage du **POIDS UNITAIRE** (**XX** représente le nombre total d'accumulations; un maximum de 99 accumulations peut être accepté), et la quantité totale sur l'affichage du **COMPTE TOTAL**.

AJOUT DE LOTS SUPPLÉMENTAIRES

Retirez le lot d'objets actuel se trouvant sur la plateforme. Déposez le lot d'objets suivant et appuyez de nouveau sur la touche **M+**. Les nouvelles données seront alors ajoutées à la mémoire.

RAPPEL DE DONNÉES

Les données stockées peuvent être rappelées en appuyant sur la touche **MR**. Lorsque cette touche est appuyée, la balance affiche les données accumulées. Le poids total sera indiqué sur l'affichage du **POIDS** et la quantité totale sera indiquée sur l'affichage du **COMPTE TOTAL**.

L'affichage du **POIDS UNITAIRE** indiquera **ALL XX** (ou **ALL X**). **XX** représente le nombre total d'accumulations.

Appuyez sur **MR** à plusieurs reprises et la balance affichera les données stockées du premier au dernier article (un maximum de 9 articles individuels sera affiché). L'affichage du **POIDS UNITAIRE** indiquera **ACC XX** ou **ACC X** pour indiquer le numéro de l'élément affiché.

Toutes les données rappelées seront affichées dans un ordre rotatif en appuyant sur **MR** à plusieurs reprises.

EFFACEMENT DES DONNÉES

Appuyez sur la touche **MC** pour effacer les données stockées. En appuyant sur **MC** dans le mode de pesage normal ou dans le mode de rappel de mémoire avec les données accumulées affichées (l'affichage du **POIDS UNITAIRE** indique **ALL XX**), l'affichage du **POIDS UNITAIRE** indiquera **ALL 0**, et les données accumulées et l'article individuel seront effacés.

En appuyant sur **MC** dans le mode de rappel de mémoire alors que l'article individuel est affiché (l'affichage du **POIDS UNITAIRE** indique **ACC XX**), seul l'article individuel affiché sera effacé.

MENU DE CONFIGURATION

POUR ACCÉDER AU MENU DE CONFIGURATION

1. Éteignez la balance.
2. Maintenez la touche **ZERO** enfoncée lorsque vous allumez la balance. L'affichage indiquera SET SCALE FUNC.

RÉTROÉCLAIRAGE

Le rétroéclairage permet d'offrir une meilleure visibilité lorsque la balance est utilisée dans un environnement sombre.

1. Appuyez sur 0 et l'affichage indiquera SET0 Light OnOFF.

SET0 Light OnOFF

2. Continuez d'appuyer sur 0 pour sélectionner la configuration :
 - ON : Le rétroéclairage sera toujours allumé.
 - ONOFF : Le rétroéclairage sera allumé seulement s'il y a quelque chose sur la plateforme et qu'il est 9 fois supérieur à la précision d'affichage définie.
 - OFF : Le rétroéclairage sera toujours éteint.
 - 2 : Le rétroéclairage reste allumé pendant 2 secondes après que le poids eut été déposé sur la balance.
 - 5 : Le rétroéclairage reste allumé pendant 5 secondes après que le poids eut été déposé sur la balance.
 - 10 : Le rétroéclairage reste allumé pendant 10 secondes après que le poids eut été déposé sur la balance.
3. Appuyez sur **ZERO** pour revenir au mode de pesage/comptage.

ARRÊT AUTOMATIQUE

Lorsque le temps d'arrêt automatique est activé, la balance s'éteint automatiquement après une période de temps établie (en minutes) sans poids sur la plateforme et de stabilité à la position zéro.

SET3 OFFt OFF

1. Appuyez sur 3 et l'affichage indiquera SET3 OFFt OFF.
2. Cinq options sont offertes : 5, 10, 30, 60 minutes et OFF (arrêt).
3. Continuez d'appuyer sur 3 pour sélectionner la configuration souhaitée. Lorsque OFF (arrêt) est sélectionné, la fonction d'arrêt automatique n'est pas activée et la balance reste allumée.
4. Appuyez sur **ZERO** pour revenir au mode de pesage/comptage.

FILTRAGE DE MOUVEMENT

Cette fonction permet de peser des objets vibrants ou protège la balance des vibrations pouvant affecter la stabilité de la balance.

SET2 FilT - 1 -

1. Appuyez sur 2 et l'affichage indiquera SET2 FilT -1-.
2. Continuez d'appuyer sur 2 pour sélectionner le niveau de filtrage de mouvement à 1 ou 2.
 - Niveau 1 : Vitesse de réaction plus élevée, effet de filtrage de vibration plus faible.
 - Niveau 2 : Vitesse de réaction plus faible, effet de filtrage de vibration plus élevé.
3. Appuyez sur **ZERO** pour revenir au mode de pesage/comptage.

ACTIVER OU DÉACTIVER LES SONS DE LA VÉRIFICATION DE COMPTAGE

En mode de vérification de comptage, des alarmes sonores peuvent être activées.

SET7 bEEP nbEEP

1. Appuyez sur 7 et l'affichage indiquera SET7 bEEP nbEEP.
2. Continuez d'appuyer sur 7 pour sélectionner la configuration appropriée.
 - Un : Émet un bip lorsque les quantités sont supérieures au réglage de Hi.
 - In : Émet un bip lorsque les quantités sont comprises dans le réglage de Hi et Lo, y compris les limites de Hi et Lo.
 - no : Émet un bip lorsque les quantités sont à l'extérieur du réglage de Hi et Lo.
 - Lo : Émet un bip lorsque les quantités sont inférieures au réglage de Lo.
 - nbeep: Aucun bip.
3. Appuyez sur **ZERO** pour revenir au mode de pesage/comptage.

DÉPANNAGE

PROBLÈME	RECOMMANDATIONS
N'affiche pas les poids exacts.	Assurez-vous que tout le matériel d'expédition a été retiré (vis de protection en mousse, etc.). Assurez-vous qu'il n'y a rien sur la plateforme lorsque la balance est allumée.
Si la balance indique un échantillon insuffisant.	Assurez-vous que l'échantillon et le poids de l'élément répondent aux exigences minimales de la balance.
La balance s'éteint ou ne s'allume pas.	Retirez la pile et branchez la balance. Si la balance fonctionne, vous devrez remplacer la pile.
Error 2.	Assurez-vous que la vis d'expédition située sous la balance a été retirée. Effectuez un étalonnage à trois points.

Si le problème persiste ou si la section Dépannage ne résout pas votre problème, communiquez avec le service à la clientèle de ULINE au 1-800-295-5510.