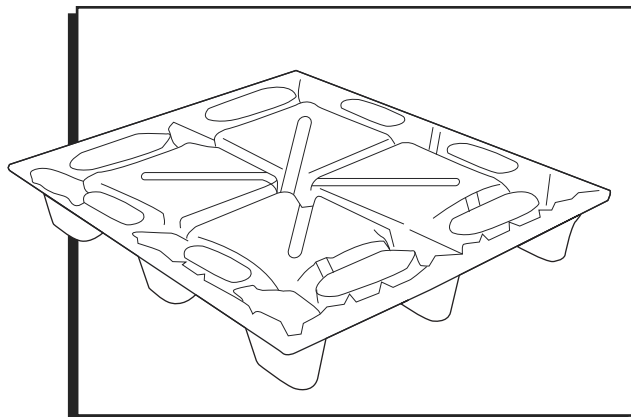


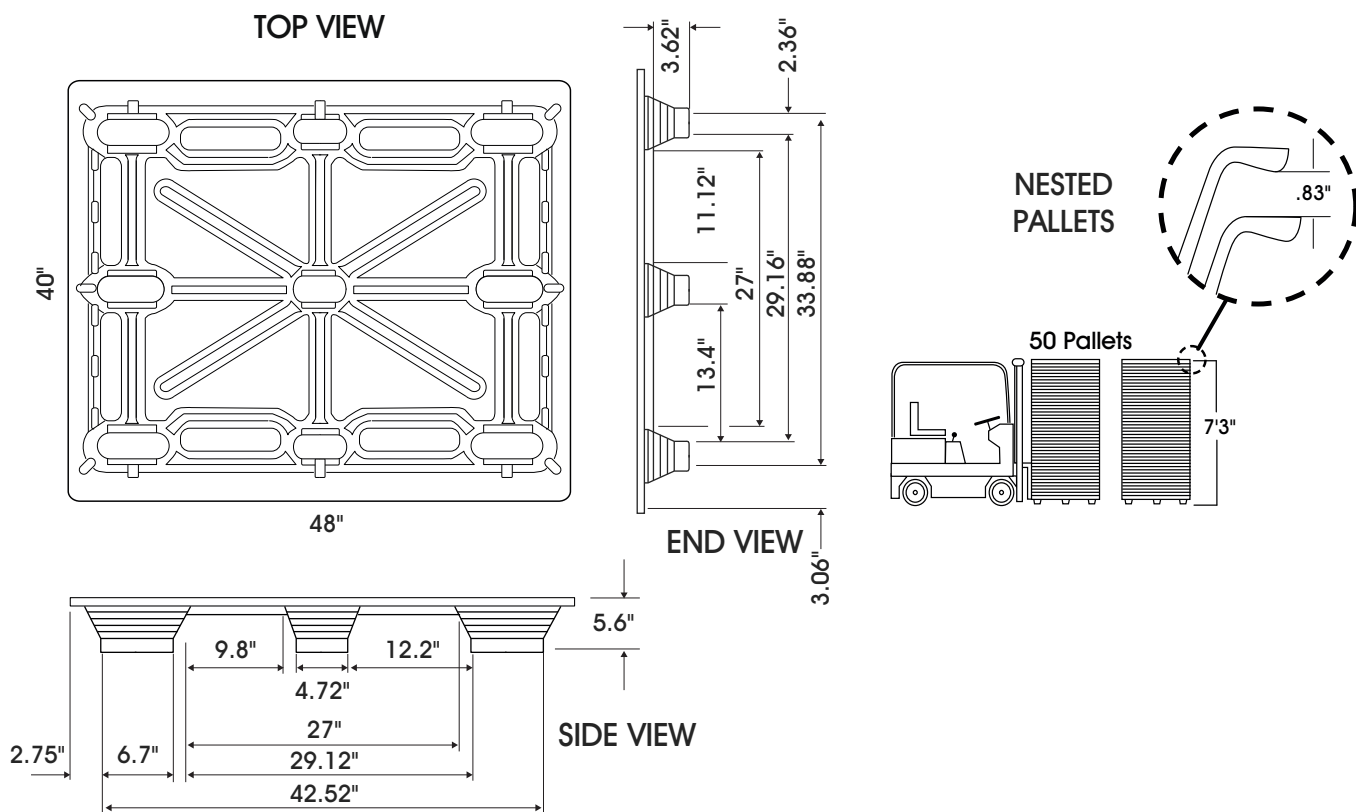
ULINE H-1032

PRESSED WOOD PALLET

1-800-295-5510
 uline.com



PRODUCT DIMENSIONS



SPECIFICATIONS

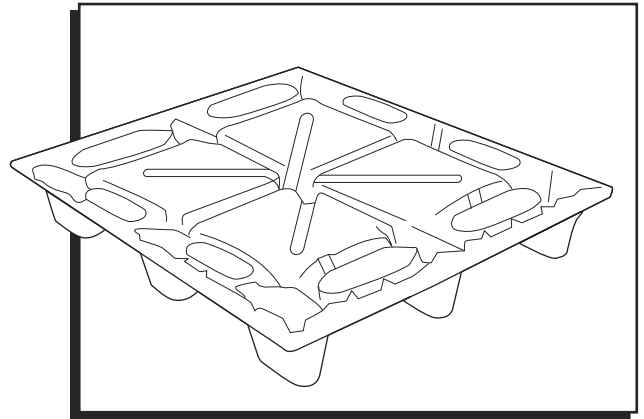
MODEL #	DIMENSIONS		HEIGHT			NESTED TRAILER		WEIGHT CAPACITY		WEIGHT
	L	W	FORK	OVERALL	NESTING	48'	53'	FLOOR	FORK	
H-1032	48"	40"	3.62"	5.60"	1.98"	1,000	1,100	20,000 lbs.	2,000 lbs.	39 lbs.

ULINE H-1032

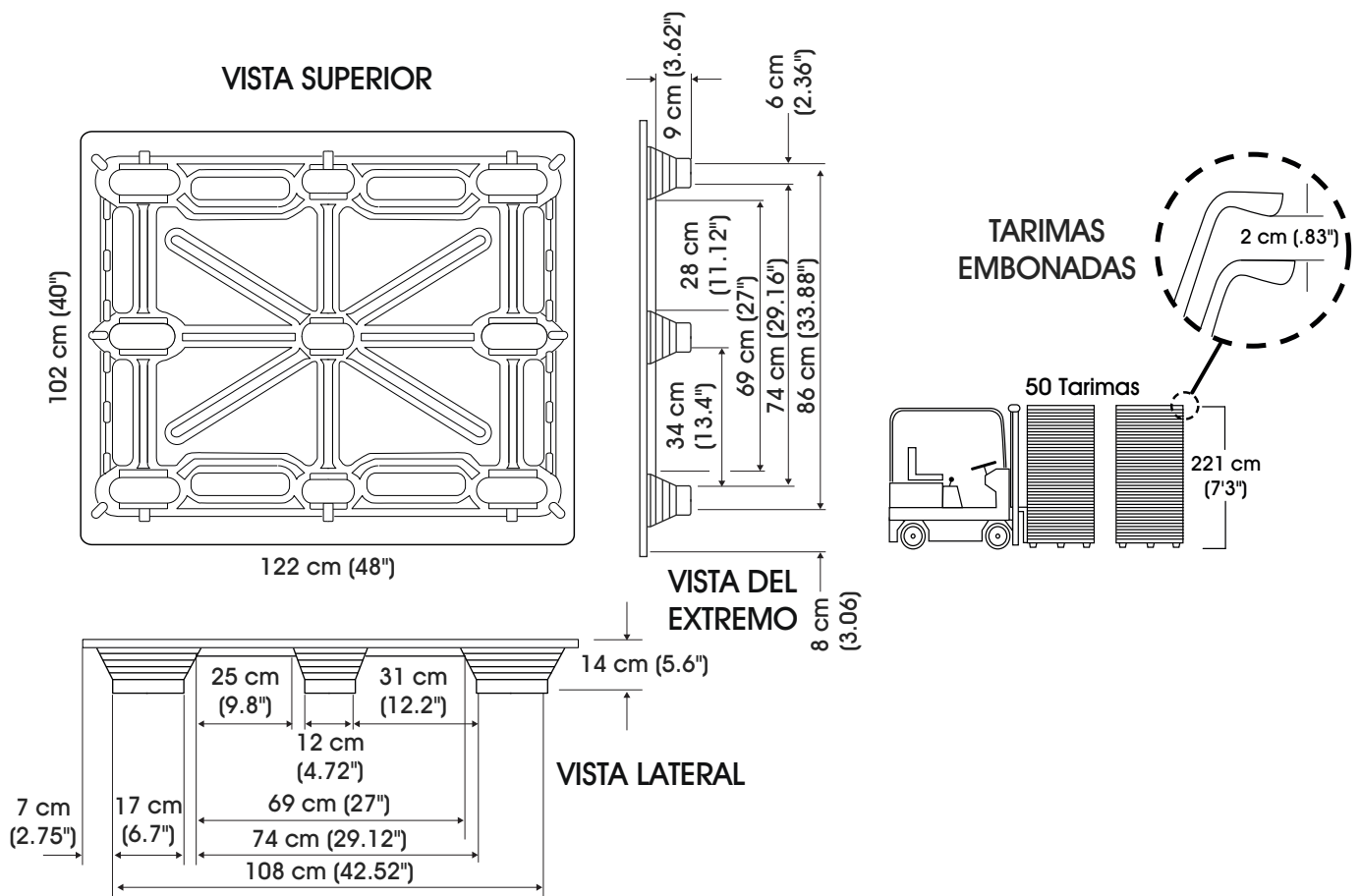
800-295-5510

uline.mx

**TARIMA DE
MADERA
PRENSADA**



DIMENSIONES DEL PRODUCTO



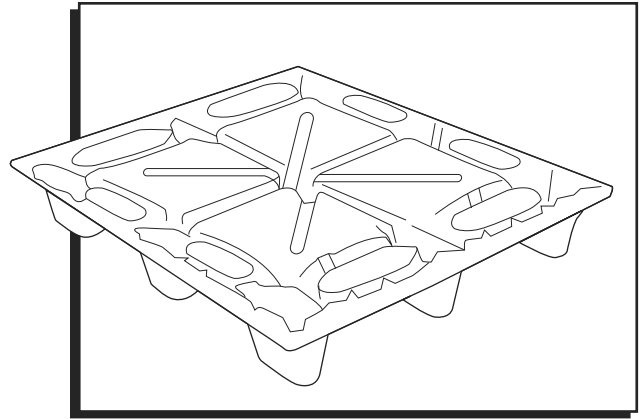
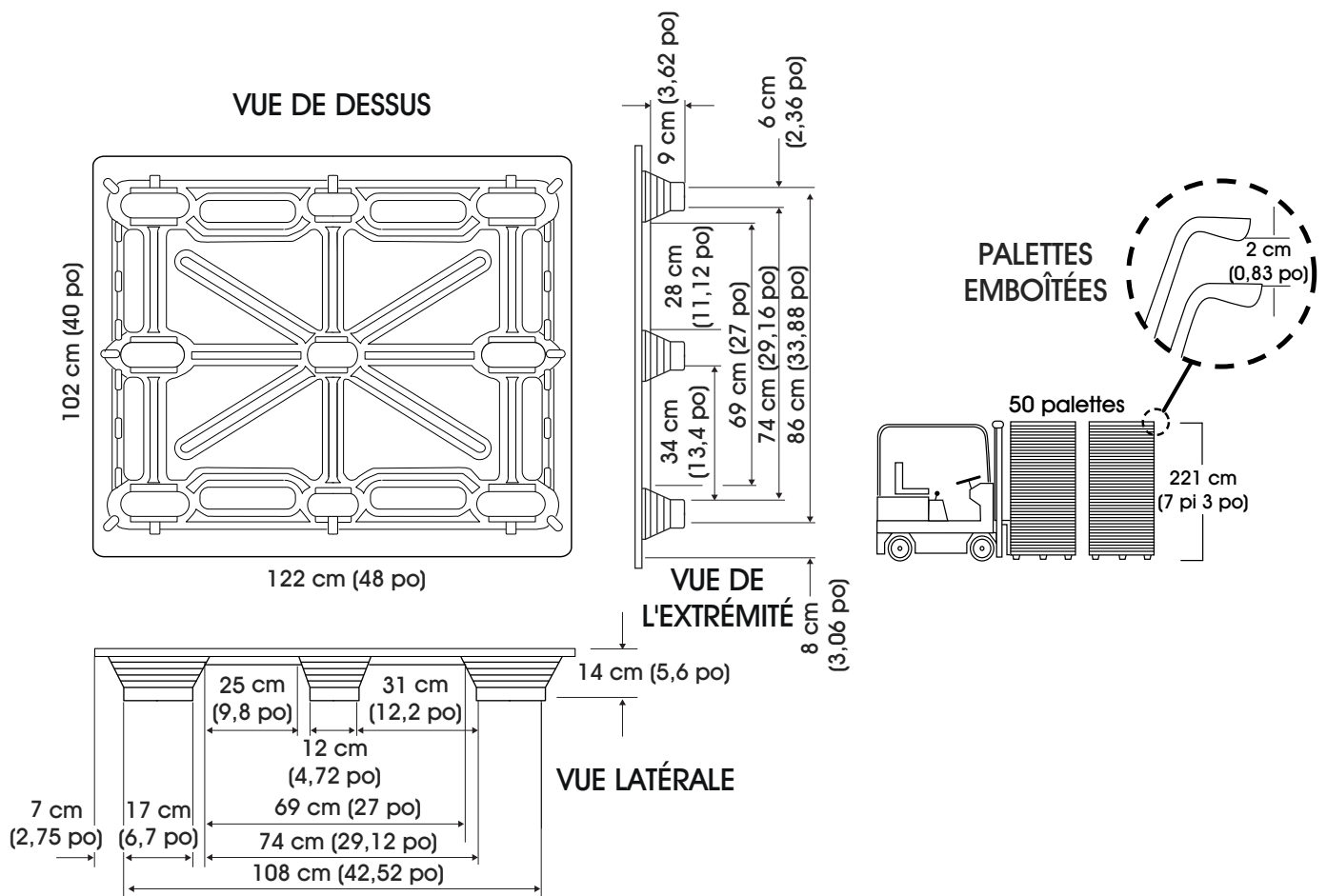
ESPECIFICACIONES

MODELO NO.	DIMENSIONES		ALTURA			EMBONADAS EN TRÁILER		CAPACIDAD DE PESO		PESO
	LARGO	ANCHO	HORQUILLA	TOTAL	EMBONABLE	14.6 m (48')	16.15 m (53')	PISO	HORQUILLA	
H-1032	122 cm (48")	102 cm (40")	9 cm (3.62")	14 cm (5.6")	5 cm (1.98")	1,000	1,100	9,071 kg (20,000 lbs.)	907 kg (2,000 lbs.)	17 kg (39 lbs.)

ULINE H-1032**PALETTE EN
BOIS PRESSÉ**

1-800-295-5510

uline.ca

**DIMENSIONS DU PRODUIT****SPÉCIFICATIONS**

N° DE MODÈLE	DIMENSIONS		HAUTEUR			REMORQUE EMBOÎTÉE		CAPACITÉ PONDÉRALE		POIDS
	LONG.	LARG.	FOURCHE	TOTALE	EMBOÏEMENT	14,6 m (48 pi)	16,15 m (53 pi)	PLANCHER	FOURCHE	
H-1032	122 cm (48 po)	102 cm (40 po)	9 cm (3,62 po)	14 cm (5,6 po)	5 cm (1,98 po)	1 000	1 100	9 071 kg (20 000 lb)	907 kg (20 000 lb)	17 kg (39 lb)