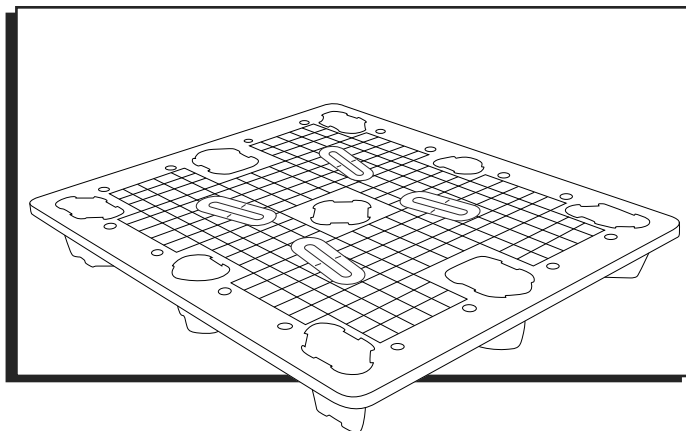


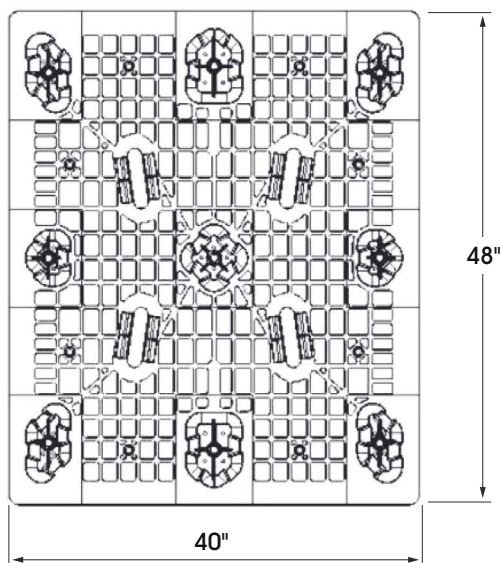
ULINE H-1023
 H-7426
**INDUSTRIAL
 PLASTIC PALLET**

1-800-295-5510
 uline.com

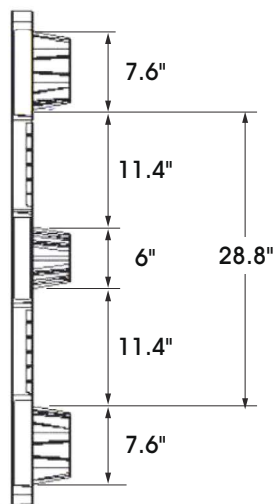


PRODUCT DIMENSIONS

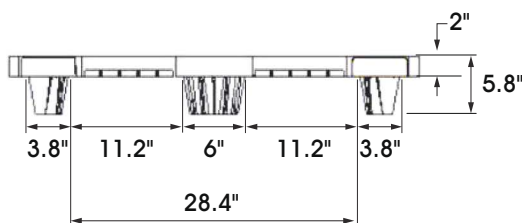
TOP VIEW



LONG SIDE VIEW



SHORT SIDE VIEW



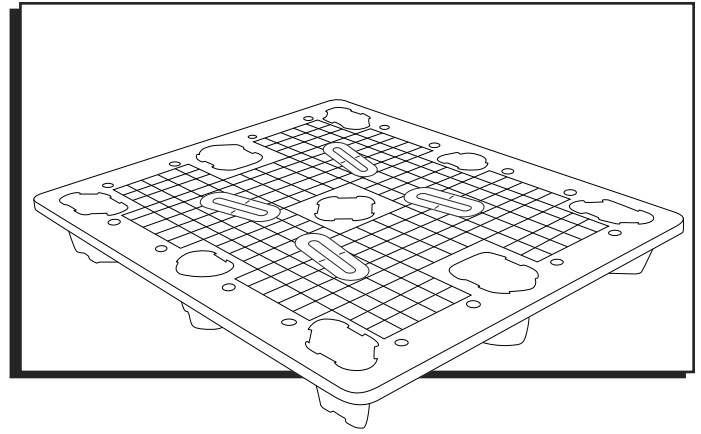
SPECIFICATIONS

MODEL #	DIMENSIONS		HEIGHT			NESTED TRAILER		WEIGHT CAPACITY		WEIGHT
	L	W	FORK	OVERALL	NESTING	48'	53'	FLOOR	FORK	
H-1023	48.00"	40.00"	3.8"	5.8"	2"	1,120	1,200	10,000 lbs.	2,300 lbs.	22.5 lbs.
H-7426									2,700 lbs.	

ULINE H-1023
H-7426

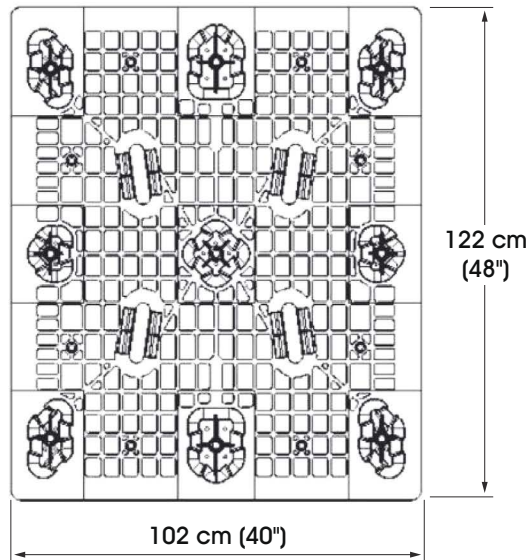
**TARIMA DE
PLÁSTICO
INDUSTRIAL**

800-295-5510
uline.mx

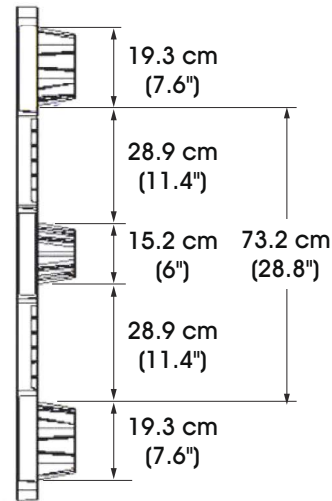


DIMENSIONES DEL PRODUCTO

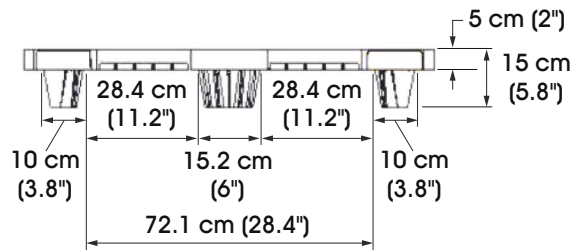
VISTA SUPERIOR



VISTA DEL
LADO LARGO



VISTA DEL
LADO CORTO



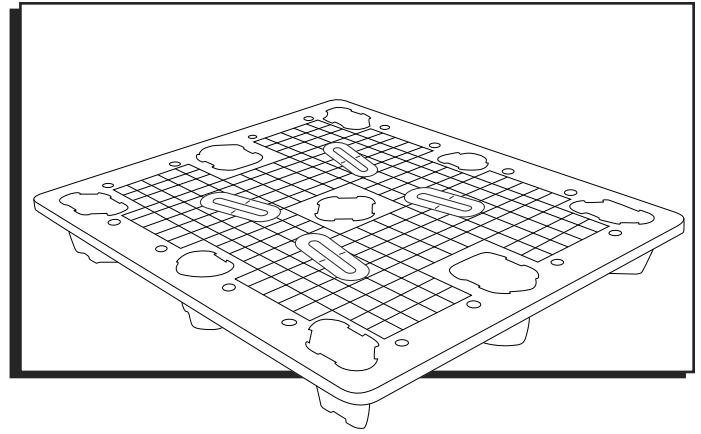
ESPECIFICACIONES

MODELO NO.	DIMENSIONES		ALTO			EMBONADAS EN TRÁILER		CAPACIDAD DE PESO		PESO
	LARGO	ANCHO	HORQUILLA	TOTAL	EMBONABLE	14.6 m (48')	16.15 m (53')	PISO	HORQUILLA	
H-1023	122 cm (48")	102 cm (40")	10 cm (3.8")	15 cm (5.8")	5 cm (2")	1,120	1,200	4,536 kg (10,000 lbs.)	1,043 kg (2,300 lbs.)	10 kg (22.5 lbs.)
H-7426								1,225 kg (2,700 lbs.)		

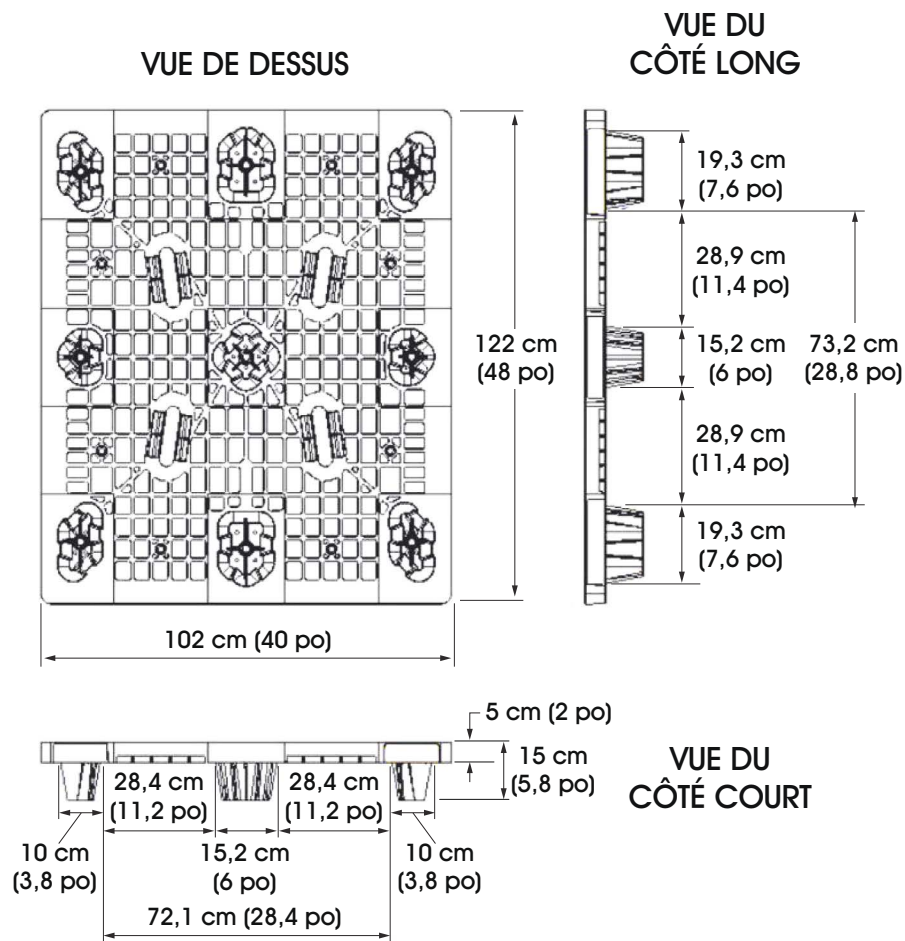
ULINE H-1023
H-7426

**PALETTE
INDUSTRIELLE
EN PLASTIQUE**

1-800-295-5510
uline.ca



DIMENSIONS DU PRODUIT



SPÉCIFICATIONS

N° DE MODÈLE	DIMENSIONS		HAUTEUR			REMORQUE EMBOÎTÉE		CAPACITÉ PONDÉRALE		POIDS
	LONG.	LARG.	FOURCHE	TOTALE	EMBOÎTEMENT	14,6 m (48 pi)	16,15 m (53 pi)	PLANCHER	FOURCHE	
H-1023	122 cm (48 po)	102 cm (40 po)	10 cm (3,8 po)	15 cm (5,8 po)	5 cm (2 po)	1 120	1 200	4 536 kg (10 000 lb)	1 043 kg (2 300 lb)	10 kg (22,5 lb)
H-7426								1 225 kg (2 700 lb)		