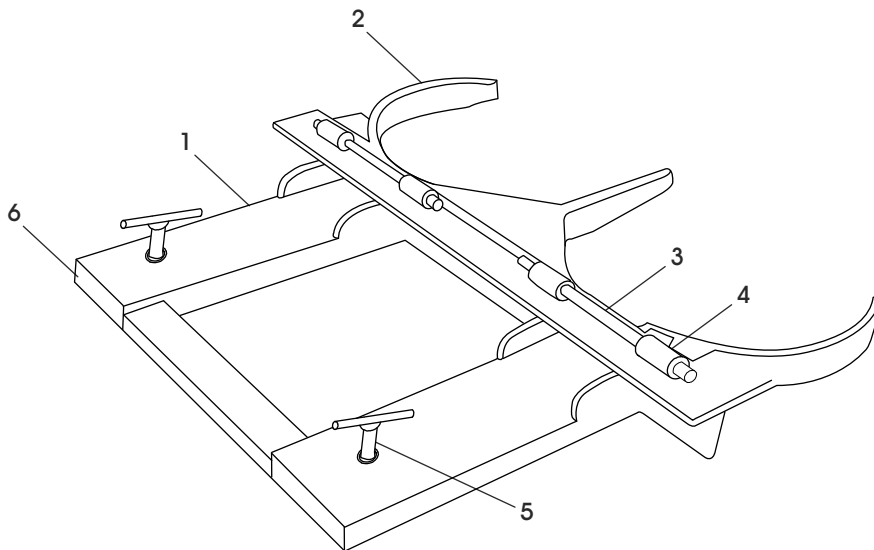
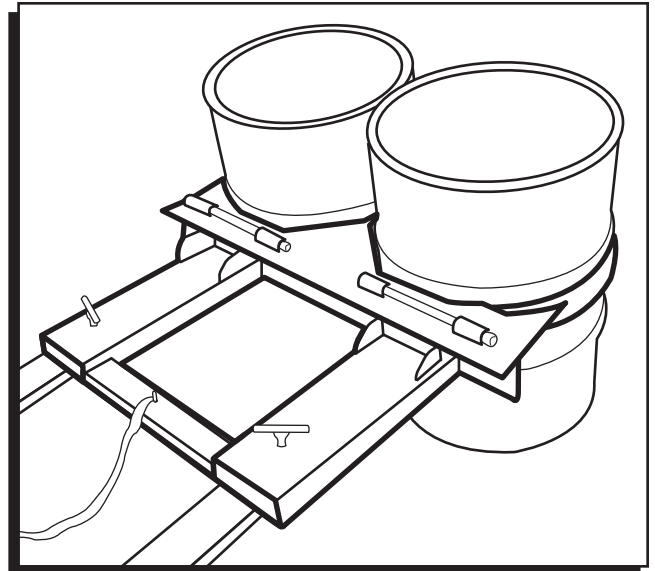


# ULINE H-2746 DRUM GRABBER

1-800-295-5510  
uline.com



#	DESCRIPTION
1	Supporting Rack
2	Clamp
3	Axle
4	Axle Base
5	Screw
6	Fork Hole

## INSTRUCTIONS



**NOTE:** Read and understand instructions before using the drum grabber.

### INSTALLING DRUM GRABBER ONTO THE FORKS OF THE FORKLIFT TRUCK

1. Lay the drum grabber on the ground. Lower the

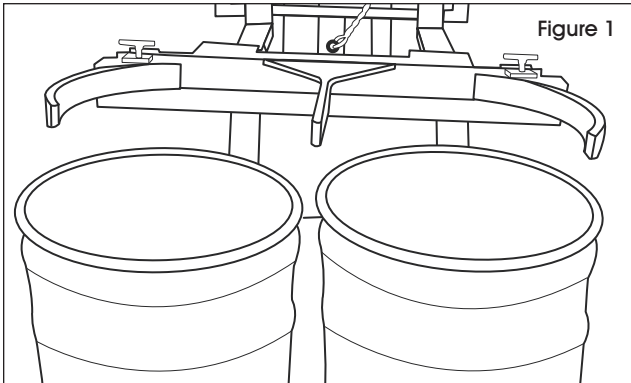
forks of the forklift truck to manually install the drum grabber. Slide the drum grabber onto the forks.

2. Firmly screw the screws to prevent the drum grabber from slipping off of the forklift.

# INSTRUCTIONS CONTINUED

## CLAMPING AND LIFTING THE DRUM

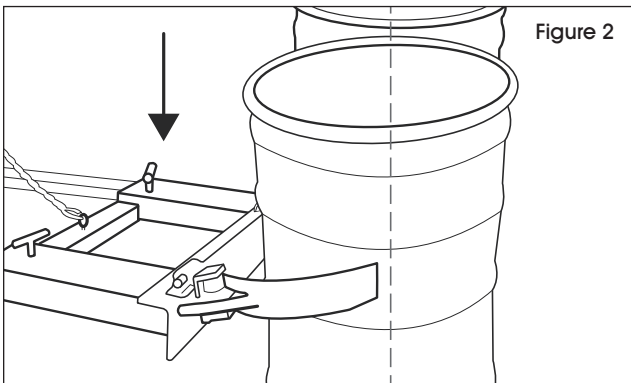
1. Raise drum grabber clamps above the drum. (See Figure 1)



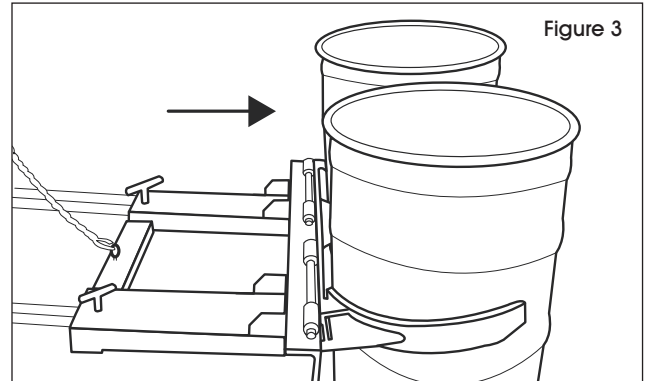
2. Slowly lower the forks to position the drum grabber clamps in the center of the drum. (See Figure 2)



**WARNING!** Do not pass the center line of the drum. Failure to do so will cause damage to the drum.



3. Slowly move the fork truck forward to clamp the drum grabber clamps around the drum. (See Figure 3)



4. Lift the forks and the drum will be clamped and lifted. Carry the drum to the desired destination.

## LOWERING AND RELEASING THE DRUM FROM THE DRUM GRABBER

1. Slowly lower the drum onto a firm surface.
2. Continue to lower the forks slowly to open the drum grabber clamps. While lowering, slowly move the forklift backward. (See Figure 4)

