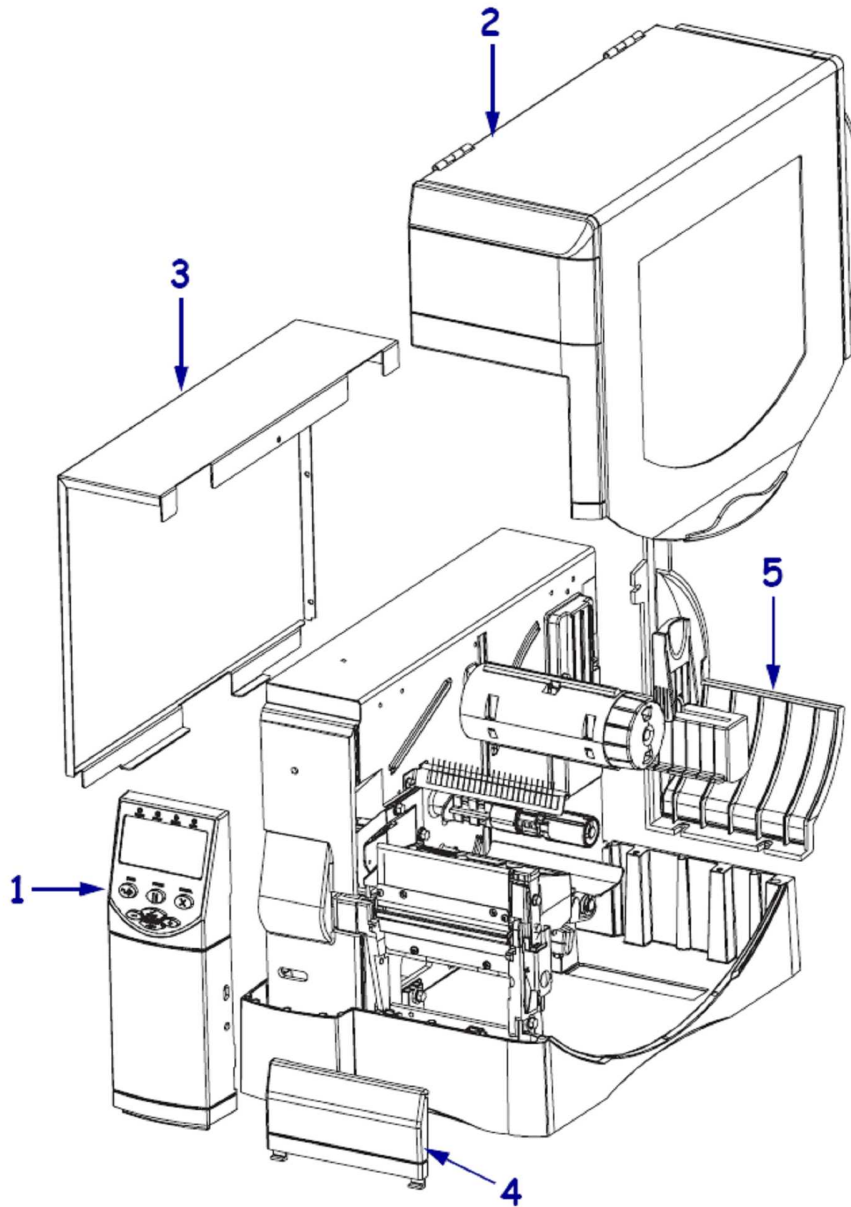




ZMx00 Series Parts Catalog
Outer Casing Components



Item Number	Description	Part Number	Kit Quantity
1	Kit Control Panel ZMx00 Series	79825M	1
2	Kit Media Cover ZM400	79833M	1
2	Kit Media Cover ZM600	79834M	1
3	Kit Electronics Cover ZMx00 Series	79826M	1
4	Kit Front Lower Cover ZM400	79856M	1
4	Kit Front Lower Cover ZM600	79857M	1
5	Kit Rear Lower Cover ZM400	79858M	1
5	Kit Rear Lower Cover ZM600	79859M	1
	Kit Window for Media Cover ZMx00 Series	79863M	1

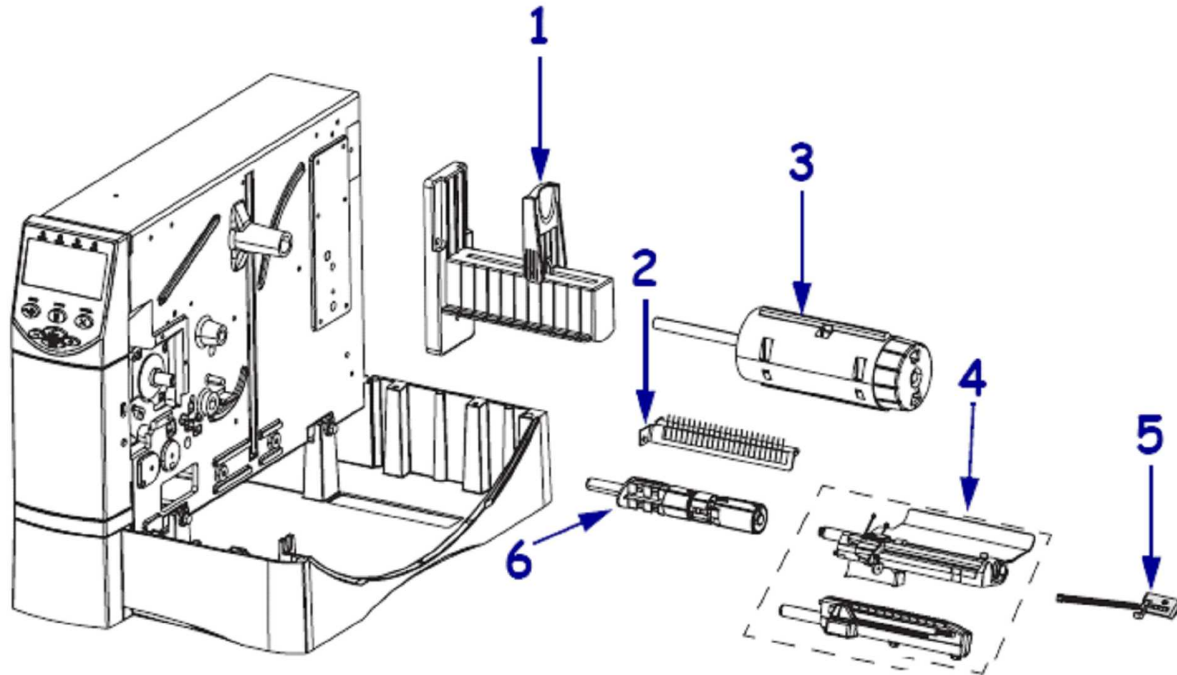
ULINE H-974

1-800-295-5510



ZMx00 Series Parts Catalog

Media Sensors - Ribbon System - Media Hanger



Item Number	Description	Part Number	Kit Quantity
1	Kit Media Hanger ZM400	79839M	1
1	Kit Media Hanger ZM600	79840M	1
2	Kit Ribbon Static Brush ZM400	79854M	1
2	Kit Ribbon Static Brush ZM600	79855M	1
3	Kit Ribbon Take-Up Spindle Assy Z4M+ & ZM400	G77100M	1
3	Kit Ribbon Take-Up Spindle Assy Z6M+ & ZM600	G77117M	1
4	Kit Media Sensor ZM400	79848M	1
4	Kit Media Sensor ZM600	79849M	1
5	Kit Ribbon Out/Head Open Sensor ZMx00 Series	79821M	1
6	Kit Ribbon Supply Spindle ZM400	79828M	1
6	Kit Ribbon Supply Spindle ZM600	79829M	1
6	Kit Ribbon Supply Spindle for Ribbons Coated Inside ZM400 only	79830M	1
Not Shown	Kit Media Shelf ZM400	79869M	1
Not Shown	Kit Media Shelf ZM600	79870M	1

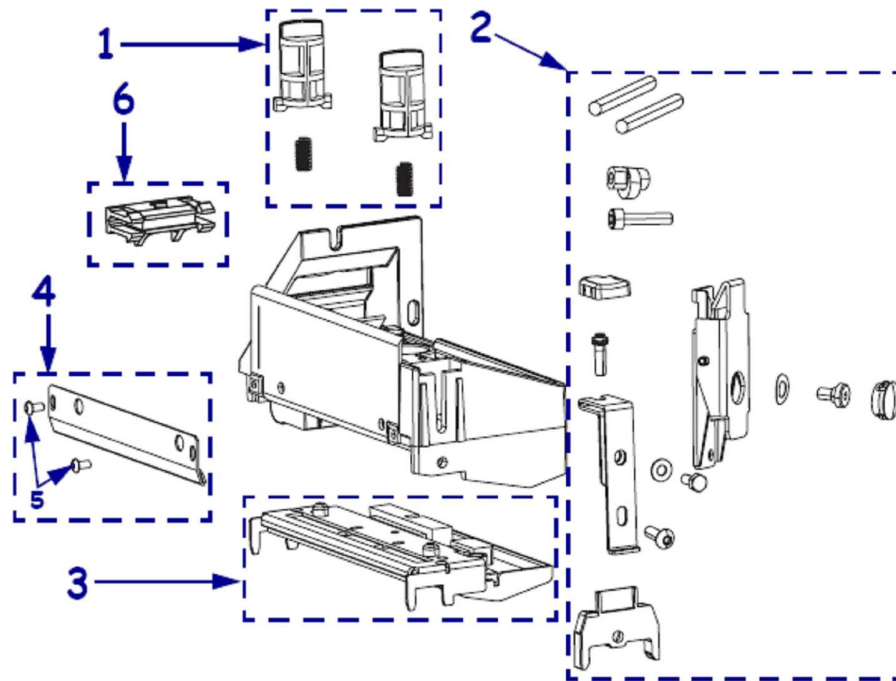
ULINE H-974

1-800-295-5510



ZMx00 Series Parts Catalog

Print Mechanism Components



Item Number	Description	Part Number	Kit Quantity
1	Kit Pressure Dials and Springs Z4M+ & ZM400	G77172M	2
1	Kit Pressure Dials and Springs Z6M+ & ZM600	77172-6M	2
2	Kit Print Mechanism Latch ZMx00 Series	79819M	1
3	Kit Printhead 203 dpi ZM400	79800M	1
3	Kit Printhead 203 dpi ZM600	79803M	1
3	Kit Printhead 300 dpi ZM400	79801M	1
3	Kit Printhead 300 dpi ZM600	79804M	1
3	Kit Printhead 600 dpi ZM400	79802M	1
4	Kit Ribbon Strip Plate ZM400	79860M	1
4	Kit Ribbon Strip Plate ZM600	79861M	1
5	Screw M3 X 0.5 X 6 Bag of 25	HW78809	25
6	Kit Print Mechanism Magnet ZMx00 Series	79845M	1

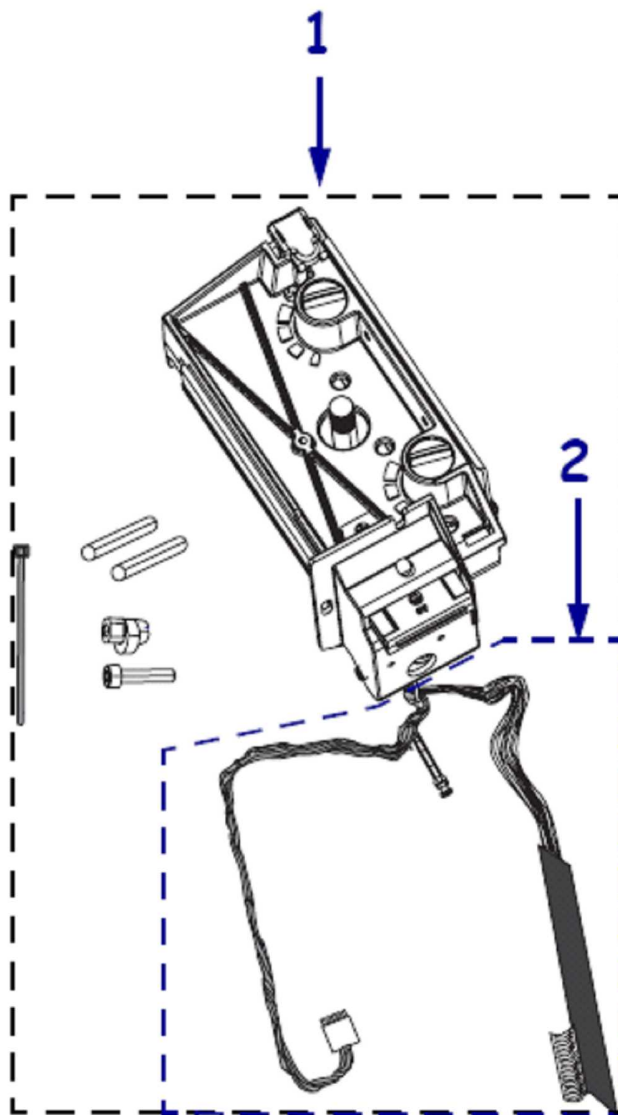
Printhead dpi conversion kits

Item Number	Description	Part Number	Kit Quantity
	Kit Convert 600 dpi AND 300 dpi to 203dpi ZM400	79805	1
	Kit Convert 203 dpi AND 600 dpi to 300dpi ZM400	79806	1
	Kit Convert 203 dpi AND 300 dpi to 600dpi ZM400	79807	1
	Kit Convert 203 dpi to 300 dpi ZM600	79808	1
	Kit Convert 300 dpi to 203 dpi ZM600	79809	1



ZMx00 Series Parts Catalog

Entire Print Mechanism



Item Number	Description	Part Number	Kit Quantity
1	Kit Print Mechanism & 203 dpi Printhead ZM400	79810M	1
1	Kit Print Mechanism & 203 dpi Printhead ZM600	79813M	1
1	Kit Print Mechanism & 300 dpi Printhead ZM400	79811M	1
1	Kit Print Mechanism & 300 dpi Printhead ZM600	79814M	1
1	Kit Print Mechanism & 600 dpi Printhead ZM400	79812M	1
2	Kit Printhead Cables ZMx00 Series	79822M	1

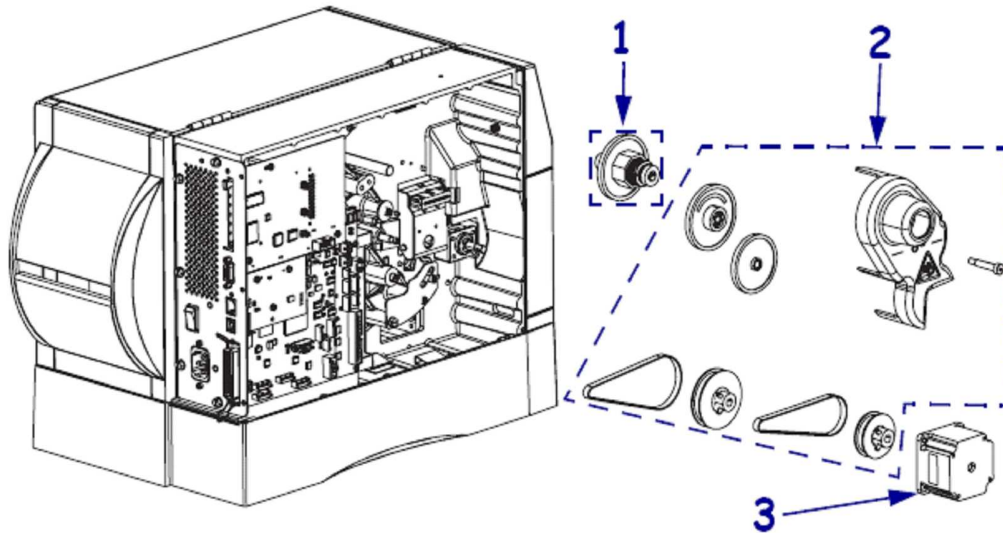
ULINE H-974

1-800-295-5510



ZMx00 Series Parts Catalog

Drive System Components

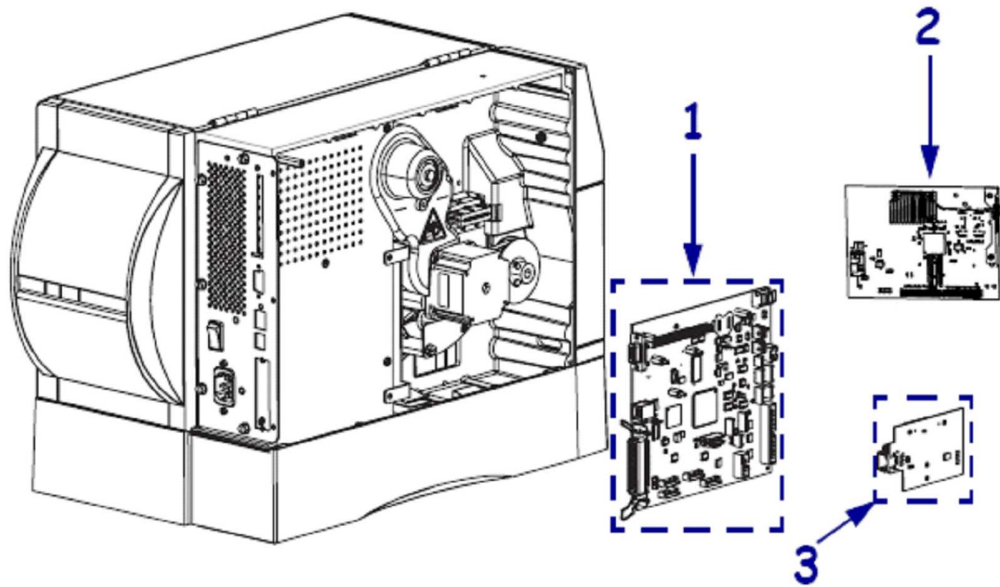


Item Number	Description	Part Number	Kit Quantity
1	Kit Ribbon Take-Up Clutch ZxM+ & ZMx00	77814M	1
2	Kit Drive System ZMx00 Series (includes pulleys, gears, belts, gear cover)	79818M	1
3	Kit Stepper Motor Assy ZxM+ & ZMx00	G77813M	1
	Kit Drive Belt 203 dpi ZMx00	79866M	1
	Kit Drive Belt for 300 dpi AND 600 dpi ZMx00	79867M	1



ZMx00 Series Parts Catalog

Electronic Components

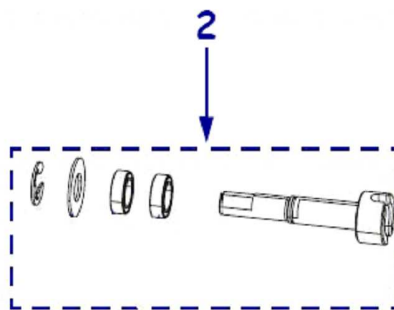
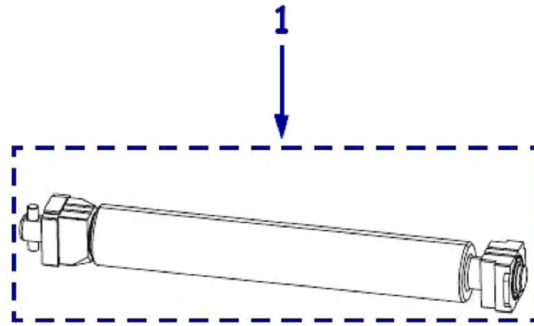


Item Number	Description	Part Number	Kit Quantity
1	Kit Main Logic Board (MLB) 64MB ZMx00 Series	79400-002M	1
1	Kit Main Logic Board (MLB) 8MB ZMx00 Series	79400-001M	1
2	Kit Internal Wireless Plus 802.11 b/g Radio. For use in the U.S., Canada, EU, Australia, New Zealand	29652-006M	1
	Kit Antenna Replacement for the Internal Wireless Plus Radio	39538M	1
3	Kit Internal Print Server 10/100 ZMx00 Series	79823	1
	Kit External ZebraNet PrintServer 10/100	G47490	1
	Kit External ZebraNet II PrintServer 10Base-T	G46692	1
	Kit Wireless Plus Board. In order to achieve wireless function, a separate radio card must be purchased (not included).	29651-006M	1
	Kit Power Supply ZMx00 Series	79820M	1
	Kit Covers for Wireless Radio Slot and Ethernet Port (1 each)	79879M	1
	Power Cord USA	46693	1



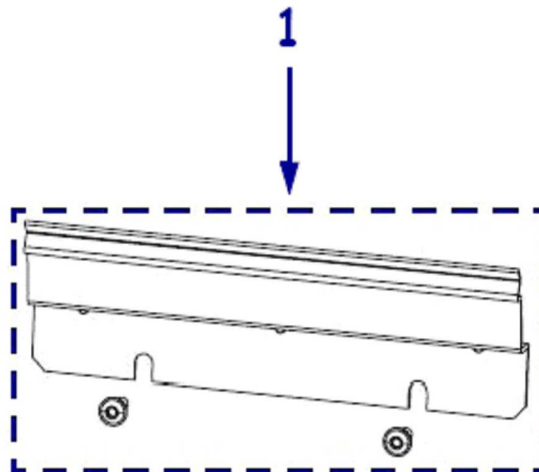
ZMx00 Series Parts Catalog

Platen Rollers



Item Number	Description	Part Number	Kit Quantity
1	Kit Platen Roller ZM400	79815M	1
1	Kit Platen Roller ZM600	79816M	1
2	Kit Platen Coupler ZMx00 Series	79862M	1

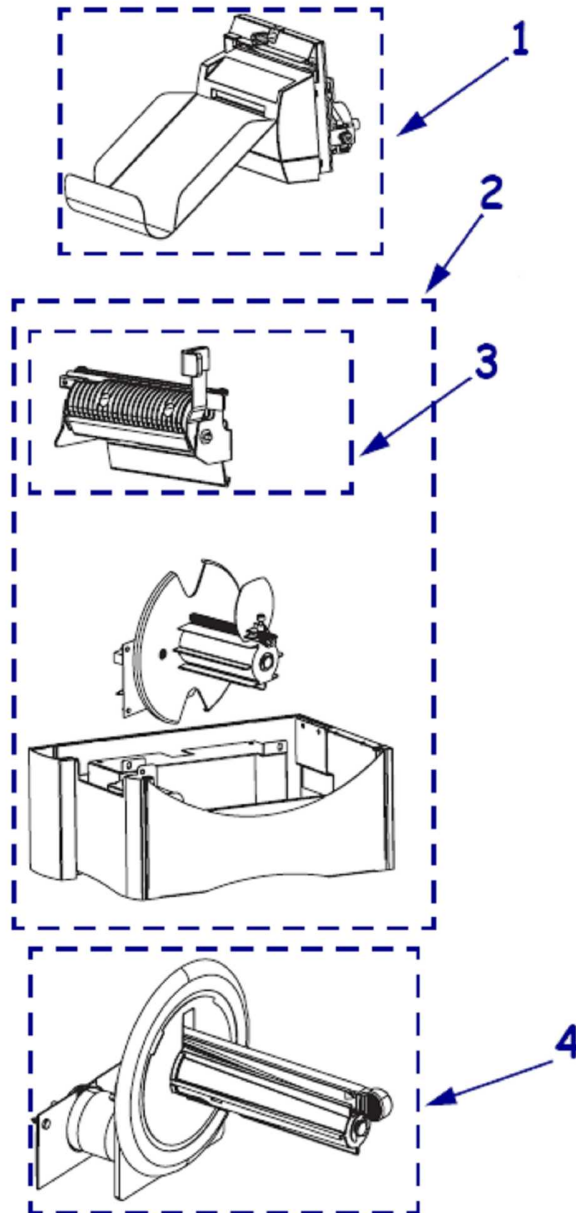
Tear Bars



Item Number	Description	Part Number	Kit Quantity
1	Kit Tear Bar ZM400	79837M	1
1	Kit Tear Bar ZM600	79838M	1



ZMx00 Series Parts Catalog
Media Handling Options



Item Number	Description	Part Number	Kit Quantity
1	Kit Option Cutter ZM400	79841	1
1	Kit Option Cutter ZM600	79842	1
2	Kit Option Media Rewind & Peel Unit in one kit ZM400	79835	1
2	Kit Option Media Rewind & Peel Unit in one kit ZM600	79836	1
3	Kit Peel Unit ZM400	79831M	1
3	Kit Peel Unit ZM600	79832M	1
4	Kit Upgrade Liner TakeUp ZM400 only (not offered on ZM600)	79868M	1

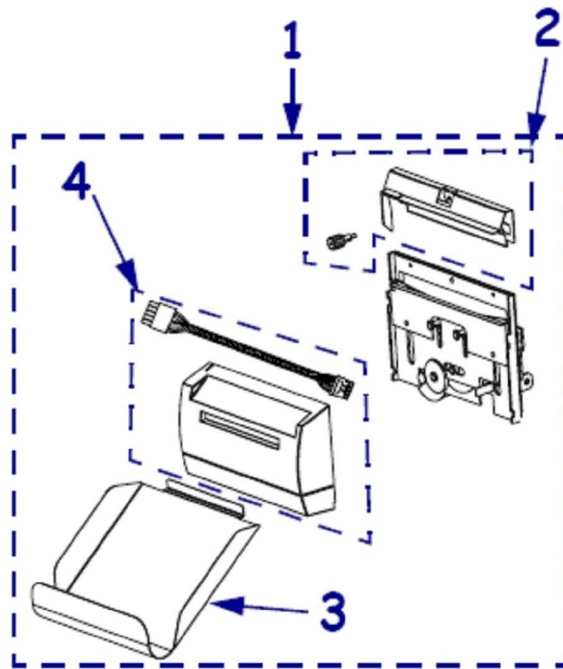
ULINE H-974

1-800-295-5510



ZMx00 Series Parts Catalog

Cutter Components



Item Number	Description	Part Number	Kit Quantity
1	Kit Option Cutter ZM400	79841	1
1	Kit Option Cutter ZM600	79842	1
2	Kit Static Brush for the Cutter & Guard ZM400	79864M	1
2	Kit Static Brush for the Cutter & Guard ZM600	79865M	1
3	Cutter Catch Tray ZM400	77041	1
3	Cutter Catch Tray ZM600	77997	1
4	Kit Cover for the Cutter includes PCB and cutter cable ZM400	79843M	1
4	Kit Cover for the Cutter includes PCB and cutter cable ZM600	79844M	1

Media Handling Option Repair Kits

Item Number	Description	Part Number	Kit Quantity
	Kit Peel Unit Pinch Roller, Z4M+ & ZM400 & S4M	77197M	1
	Kit Peel Unit Pinch Roller Z6M+ & ZM600	77727M	1
	Kit Media Rewind Outer Guards ZxM+ & ZMx00	77459M	1
	Kit Cable Media Rewind ZMx00 Series	79827M	1
	Kit Steer Roller, Z4M+ & ZM400	G77167M	1
	Kit Steer Roller, Z6M+ & ZM600	G77168M	1
	Kit Media Rewind Spindle and Motor Z4Mplus & ZM400	G79026M	1
	Kit Media Rewind Spindle and Motor Z6Mplus & ZM600	G79026-6M	1
	Kit Media Rewind Motor Z4Mplus & ZM400	G34110M	1
	Kit Media Rewind Motor Z6Mplus & ZM600	G34111M	1
	Kit Liner Take Up Motor Z4M+ & ZM400	G34112M	1



ZMx00 Series Parts Catalog

Packing Materials for Printer Shipping

Item Number	Description	Part Number	Kit Quantity
	Kit Packing Materials Qty of 1 Z4M+ & ZM400	77128PM	1
	Kit Packing Materials, Bulk Qty of 10 Z4M+ & ZM400	77128PBM	10
	Kit Packing Materials Qty of 1 Z6M+ & ZM600	77129PM	1
	Kit Packing Materials, Bulk Qty of 10 Z6M+ & ZM600	G77129PBM	10
	Kit Packing Materials for Media Rewind versions of Z4M+ & ZM400 Qty of 1	G77932PM	1
	Kit Packing Materials, Bulk Qty of 10 Media Rewind versions Z4M+ & ZM400	G77932PBM	10
	Kit Packing Materials for Media Rewind versions of Z6M+ & ZM600 Qty of 1	G77933PM	1
	Kit Packing Materials Qty of 10 Media Rewind Z6M+ & ZM600	G77933PBM	10

Hardware

Item Number	Description	Part Number	Kit Quantity
	Screw M4 x 0.7 x 10, Qty of 5	HW78814	5
	Screw Printhead Mounting Qty of 5	HW77047	5
	Lock Washer 4mm Bag of 25	HW43482	25
	Screw M3 x 0.5 x 6, Qty of 50	HW78805	50
	Washer Split M3, Qty of 50	HW10471	50
	E Ring Ext .375 Yel, Qty of 25	HW06313	25
	Washer FI M3, Qty of 50	HW10470	50
	Screw M4 x 0.7 x 12, Qty of 25	HW10432	25
	Washer Split M4, Qty of 25	HW45931	25
	Ground Screw Spacer, RTU Qty of 25	HW33807	25
	Screw M3 X 0.5 X 6 Bag of 25	HW78809	25
	Cable Tie (Quantity of 20)	HWQ06020	20
	Flat Washer .250 .125 .023 bag of 25	HW79041	25
	Flat Washer 4mm Bag of 25	HW78806	25
	Screw M3 x .5 x 6, Qty of 50	HW78804	50
	Screw 4-40 x .31, Qty of 25	HW78802	25
	Standoff 4-40 HEX, Qty of 25	HW32406	25
	Washer Lock #4, Qty of 100	HW45945	100
	Nut Hex M3, Qty of 25	HW10460	25
	Rubber Bumper Feet, Qty of 10	HW44014	10