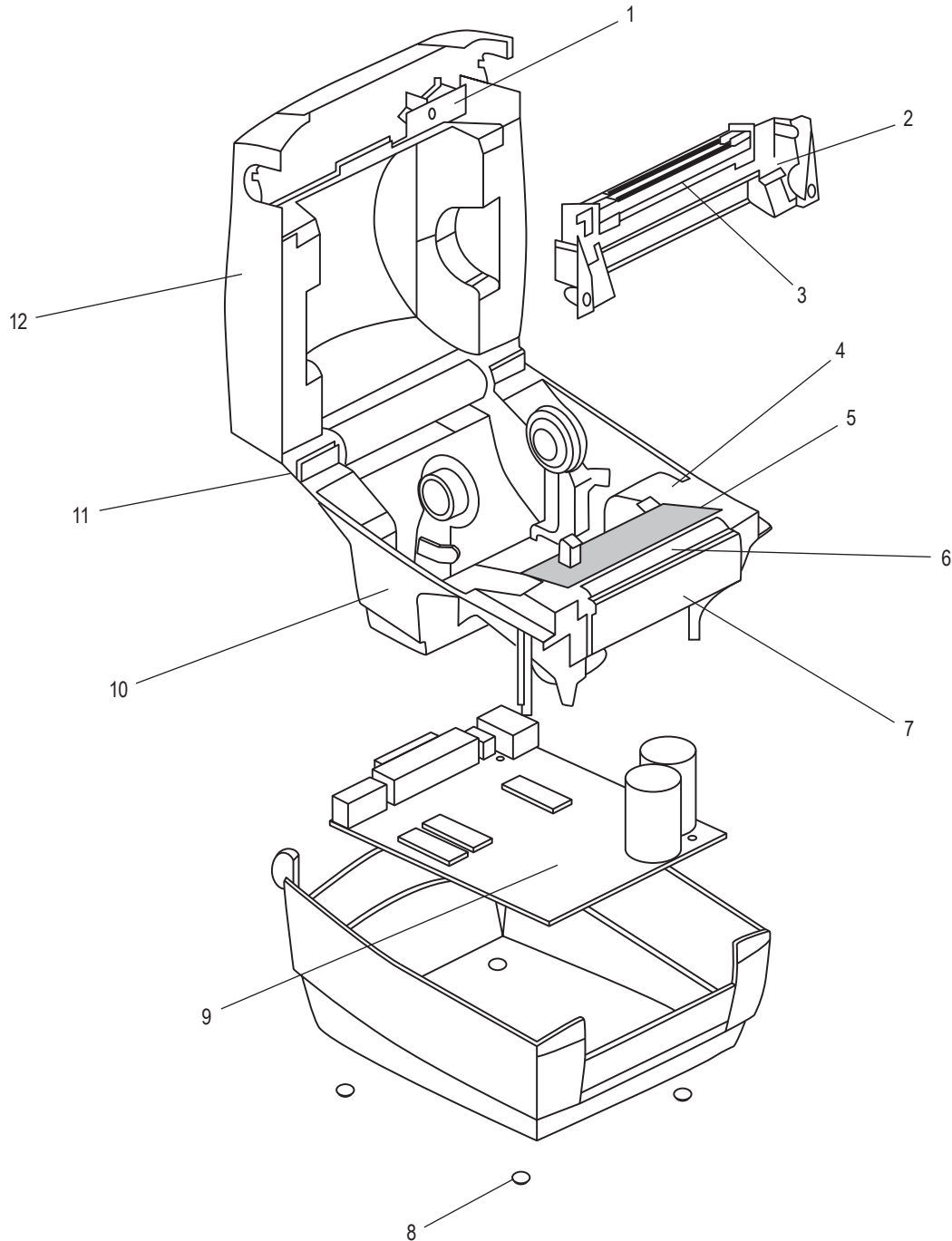
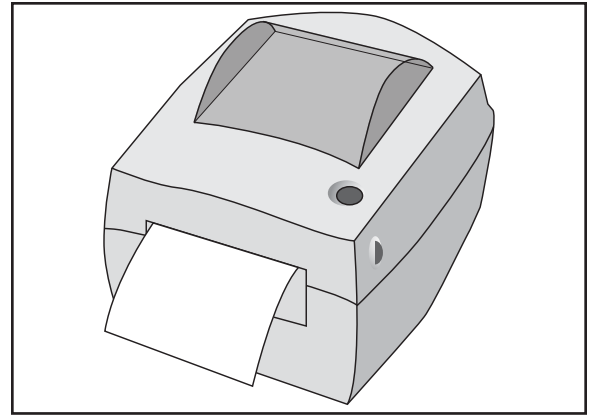


ULINE H-970
ZEBRA PRINTER

1-800-295-5510
uline.com



#	DESCRIPTION	QTY.	ULINE PART NO.	MFG. PART NO.
1	Feed Switch / Sensor Assembly	3	-----	G105910-064
1	Feed Switch Assembly (Man. Date 7/2004 or Earlier)	3	-----	105910-004
2	Latch Assembly	1	-----	G105910-068
3	Printhead Assembly	1	-----	G105910-048
4	Head Up Sensor	1	-----	G105910-072
5	Gap / Blackline Sensor PCBA	3	-----	G105910-069
6	Platen Kit, Std.	3	-----	105910-001
6	Platen Kit, Liner Free	1	-----	105910-002
7	Front Bezel, Std. Kit	10	-----	105910-005
7	Front Bezel Dispenser	1	-----	G105910-022
7	Label Taken Sensor PCBA	3	-----	G105910-013
8	Rubber Foot Kit	24	-----	105910-007
9	Main Control PCBA, Par./RS-232/USB, Full Memory, Cutter Compatible	1	-----	G105910-050
9	Main Control PCBA, Ethernet Ready/RS-232/ USB, Full Mem, Cutter Compatible	1	-----	G105910-122
9	Kit, Ethernet IO PCBA with Cables	1	-----	G105910-121
9	Kit, PrintServerII Daughter Board	1	-----	G105910-123
9	Kit, 4 Ethernet Back Panel	1	-----	G105910-124
9	Real Time Clock / Date I.C.	1	-----	G105910-026
10	Bottom Frame Assembly	1	-----	G105910-078
11	Cover Hinge	10	-----	G105910-073
12	Upper Cover Assembly	1	-----	G105910-070
	Motor, Assembly	1	-----	G105910-108
	Power Supply, 100V-240V (C5) with US and Euro Cords (200dpi)	1	-----	105950-060
	Power Supply, 100V-240V (C5) with UK and Euro Cords (200dpi)	1	-----	105950-076
	Power Cord, U.S. 120V, IEC320C5	5	-----	105950-061
	Power Cord, Euro 220V, IEC320C5	5	-----	105950-062
	Power Cord, U.K. 240V, IEC320C5	5	-----	105950-063
	Power Cord, Australia 240V, IEC320C5	5	-----	105950-064
	Power Cord, China 220V, IEC320C5	5	-----	105950-065
	Power Cord, Argentina 220V, IEC320C5	5	-----	105950-066
	Power Cord, Japan 125V, IEC320C5	5	-----	105950-077
	Cutter Replacement Kit, LP	1	-----	G105910-029
	Shipping Pack	1	-----	105950-050
	CD-ROM, EPL Desktop Printers Software and Documentation	1	-----	105950-028
	CD-ROM, Service Documentation	1	-----	105950-051