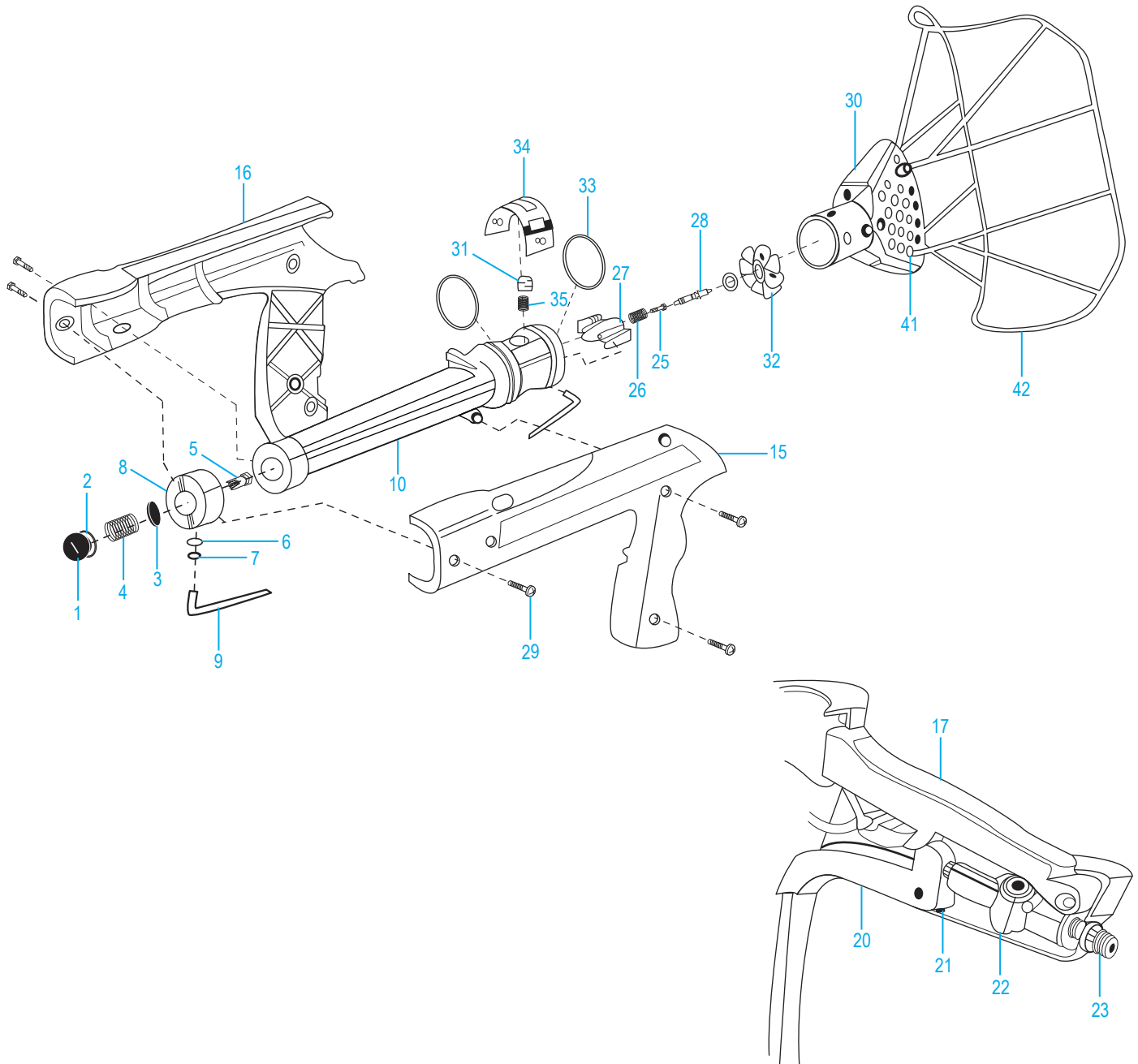
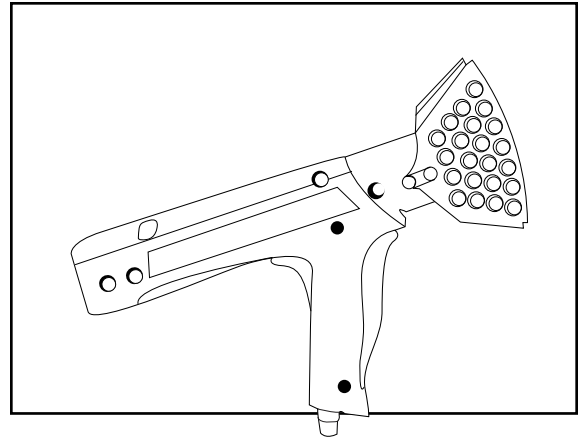


ULINE H-950
SHRINKFAST HEAT GUN

1-800-295-5510
uline.com



ULINE H-950
SHRINKFAST HEAT GUN

1-800-295-5510
 uline.com

#	DESCRIPTION	QTY.	ULINE PART NO.	MFG. PART NO.
1	Filter Holder	1	-----	19001A
2	O-Ring	1	H-950-190020	190020
3	Filter (Disc)	1	H-950-19003A	19003A
4	Filter Spring	1	H-950-190040	190040
5	Orifice Assembly	1	H-950-ORIFIC	198050
6	24 O-Ring	2	H-950-ORING	190060
7	Retainer	1	H-950-RETAIN	190070
8	Inlet	1	H-950-INLET	190080
9	Fuel Line	1	H-950-FUELLN	190090
10	Pump Body	1	-----	190100
15	Housing, Rh	1	H-950-998RH	190150
16	Housing, Lh	1	H-950-998LH	190160
17	Trigger/Igniter Assembly	1	H-950-TRIG	198170
20	Safety	1	H-950-SAFETY	190200
21	Spring	1	H-950-190210	190210
22	Valve Assembly	1	H-950-VALVE	19822A
23	Hose Adapter	1	H-950-130230	130230
25	Contact Screw	1	H-950-SCREW	190250
26	Contact Spring	1	H-950-SPRING	19026A
27	Socket	1	H-950-SOCKET	190270
28	Spark Plug	1	H-950-PLUG	190280
29	Assembly Screws	5	H-950-SCRW29	190290
30	Combustor	1	H-950-CMBSTR	190300
31	Button	1	H-950-31	190310
32	Flameholder	1	H-950-FLAME	190320
33	O-Ring	2	H-950-190330	190330
34	Strap	1	H-950-PART34	190340
35	Button Spring	1	H-950-35	190350
36	Hose Assembly (Not Shown)	1	H-950-ASSEMB	138360
37	Regulator Assembly (Not Shown)	1	H-950-37A	19837A
38	Pol Fitting (Not Shown)	1	H-950-38-1	SG13038B
39	Gauge (Not Shown)	1	H-950-GAUGE	P#39C
40	Metal Box (Not Shown)	1	-----	190400
41	Guard Screw	1	H-950-41	190410
42	UL Guard	1	H-950-43A	19043A
43	Wrench (Not Shown)	1	-----	19044A
44	Hose to Hose Connector (Not Shown)	1	H-950-23E	23E