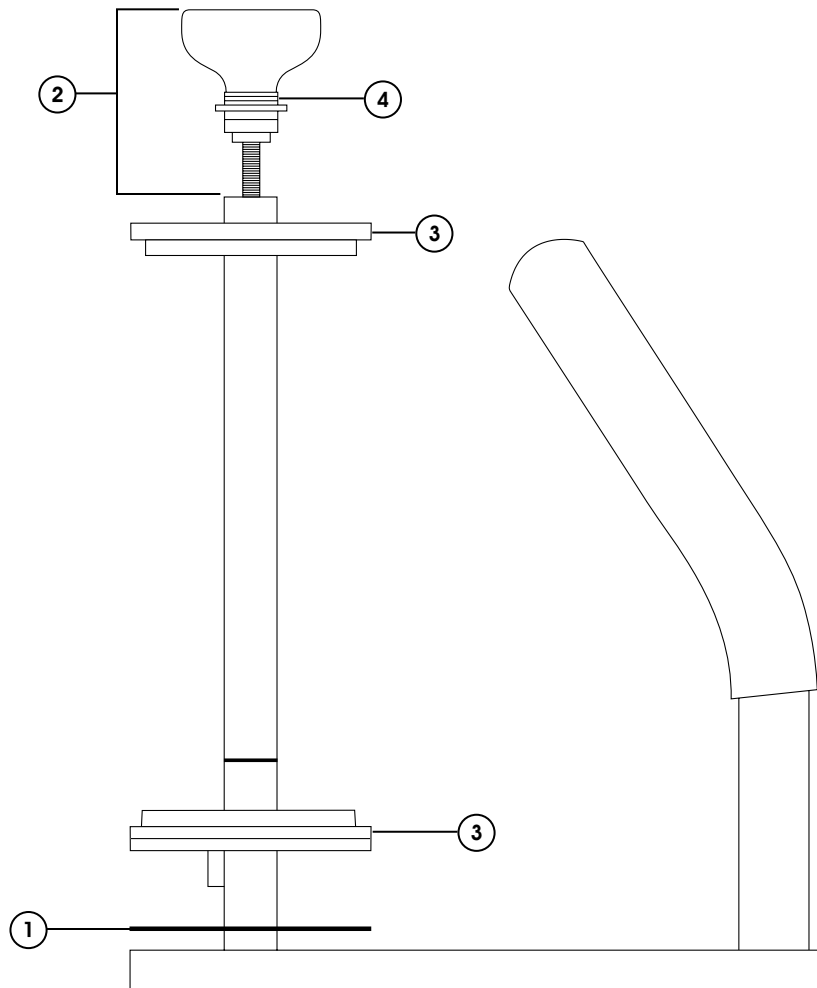
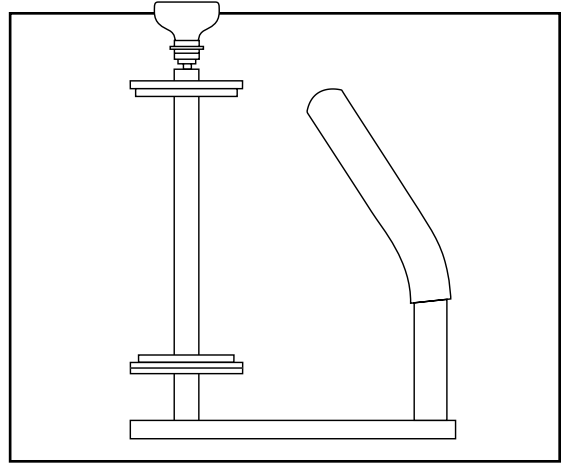


ULINE H-88
STANDARD HANDWRAPPER
STRETCH WRAP DISPENSER

1-800-295-5510
 uline.com



#	DESCRIPTION	QTY	ULINE PART NO.	MFG. PART NO.
1	Damper/Washer	1	H-88-WASHER	U103
2	Knob Assembly	1	H-88KA	16072
3	Top & Bottom Core	1	H-88-CORE	U102
4	3 PC Bearing Set	1	H-88-BEARING	-----