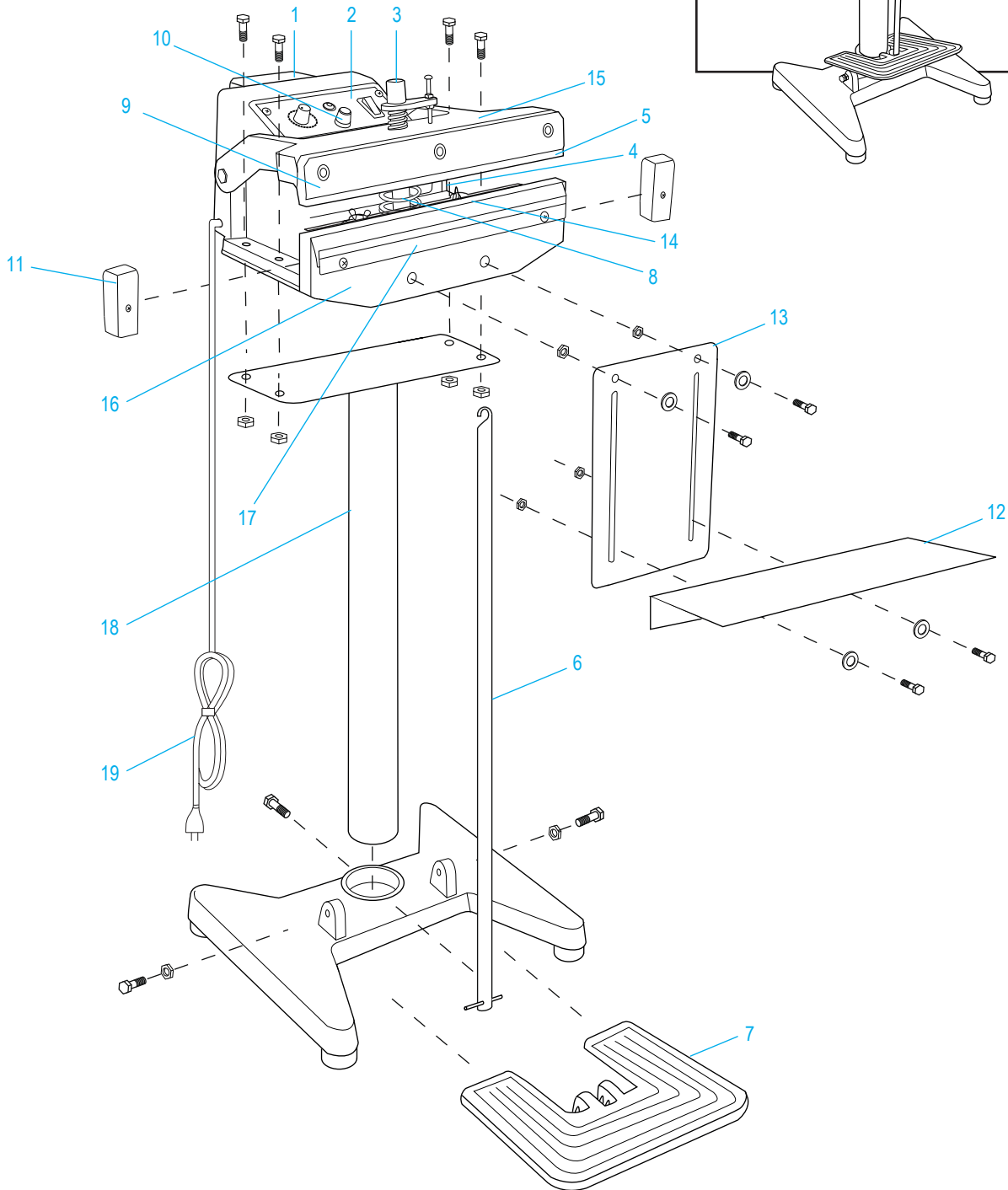
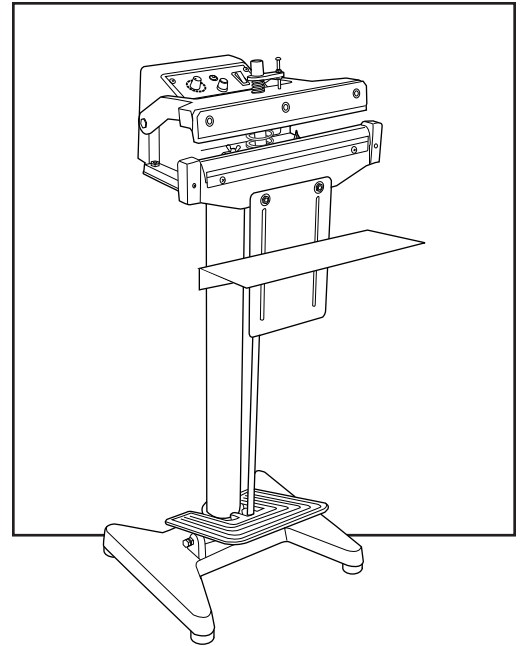


ULINE H-86, H-87, H-89

1-800-295-5510

uline.com

**FOOT OPERATED
IMPULSE SEALER**



**FOOT OPERATED
IMPULSE SEALER**

| # | DESCRIPTION | QTY. | ULINE PART NO. | MFG. PART NO. |
|----|---------------------------------------------|------|----------------|---------------|
| 1 | Transformer With Cover (For H-86) | 1 | H-86-TRANS | ----- |
| 1 | Transformer With Cover (For H-87) | 1 | H-87-021 | ----- |
| 1 | Transformer With Cover (For H-89) | 1 | H-89-021 | ----- |
| 2 | Control Panel (For H-86) | 1 | H-86-002 | CTRPANEL |
| 2 | Control Panel (For H-87) | 1 | H-87-002 | ----- |
| 2 | Control Panel (For H-89) | 1 | H-89CPT | TIMER |
| 3 | Tension Spring | 1 | H-89-015 | ----- |
| 4 | Micro Switch | 1 | H-89-042 | ----- |
| 5 | Rubber Pressure Pad (For H-86) | 1 | H-86-010 | ----- |
| 5 | Rubber Pressure Pad (For H-87) | 1 | H-87-010 | ----- |
| 5 | Rubber Pressure Pad (For H-89) | 1 | H-89-010 | ----- |
| 6 | Down Puller Assembly | 1 | H-87-063 | 636465 |
| 7 | Foot Pedal | 1 | H-86-FTPEDAL | ----- |
| 8 | Return Spring | 1 | H-89-013 | ----- |
| 9 | Silicone Rubber Holder (For H-86) | 1 | H-86-SRH | ----- |
| 9 | Silicone Rubber Holder (For H-87) | 1 | ----- | ----- |
| 9 | Silicone Rubber Holder (For H-89) | 1 | H-89-HOLDER | ----- |
| 10 | Fuse | 1 | H-89-FUSE15A | 10AFUSE |
| 11 | Heating Element Fix Assembly Kit | 2 | H-86-034 | KF600F34 |
| 12 | Working Plate | 1 | H-89-15 | KF450FPLATE |
| 13 | Level Plate | 1 | H-89-18 | ----- |
| 14 | Pressing Plate (For H-86) | 1 | ----- | ----- |
| 14 | Pressing Plate (For H-87) | 1 | H-87-SPPLATE | PHS012F |
| 14 | Pressing Plate (For H-89) | 1 | H-89-17 | ----- |
| 15 | Upper Sealing Jaw (For H-86) | 1 | ----- | KF600F8 |
| 15 | Upper Sealing Jaw (For H-87) | 1 | ----- | ----- |
| 15 | Upper Sealing Jaw (For H-89) | 1 | ----- | ----- |
| 16 | Lower Sealing Jaw (For H-86) | 1 | ----- | ----- |
| 16 | Lower Sealing Jaw (For H-87) | 1 | ----- | ----- |
| 16 | Lower Sealing Jaw (For H-89) | 1 | H-89-DOWNJAW | 70 |
| 17 | Teflon Fixed Plate (For H-86) | 1 | ----- | ----- |
| 17 | Teflon Fixed Plate (For H-87) | 1 | ----- | ----- |
| 17 | Teflon Fixed Plate (For H-89) | 1 | ----- | ----- |
| 18 | Standing Tube | 1 | ----- | ----- |
| 19 | Power Cord | 1 | ----- | ----- |
| | 1/4" Heating Element (For H-86) (Not Shown) | 1 | H-86-1/4HEAT | ----- |
| | Heat Wire Protector (For H-89) (Not Shown) | 1 | H-89-HWP40 | ----- |
| | Micro Switch Driving Plate (Not Shown) | 1 | H-86-DRVPLAT | ----- |