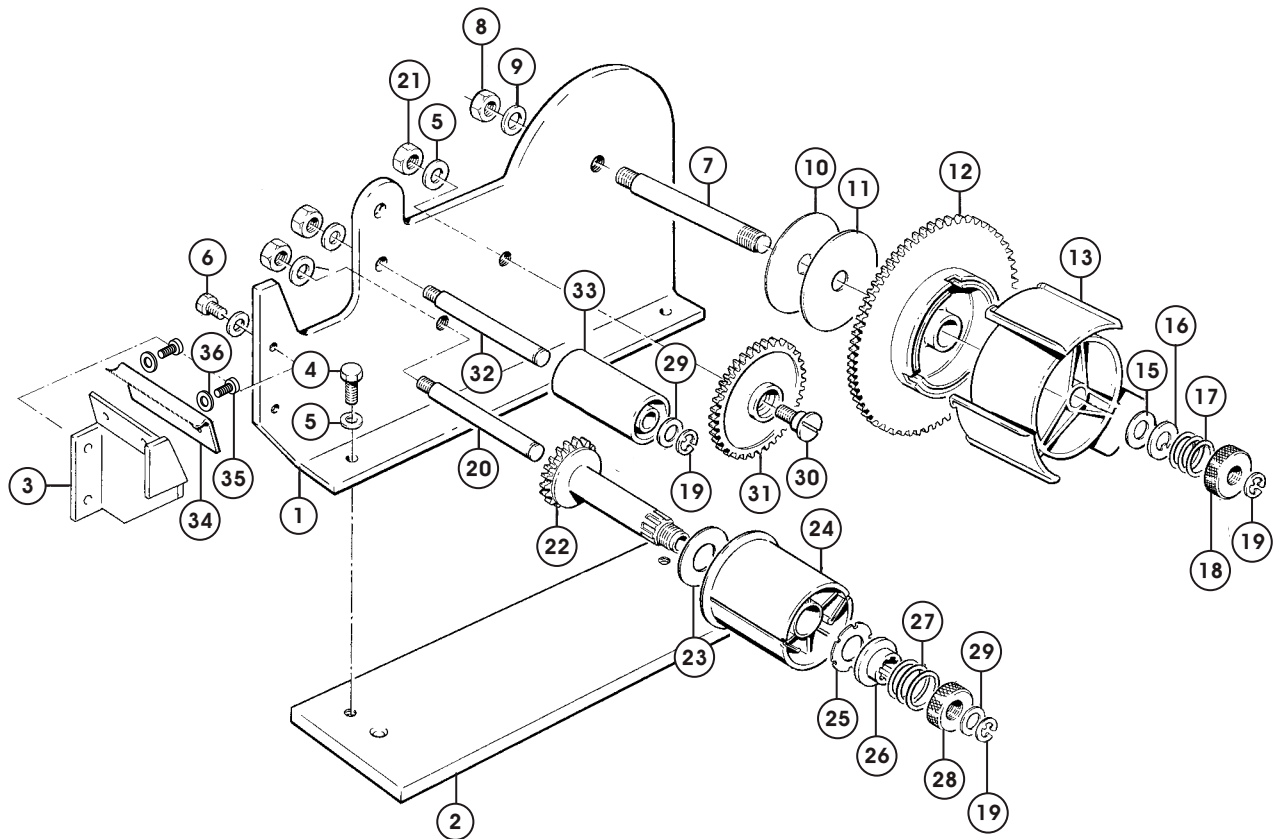
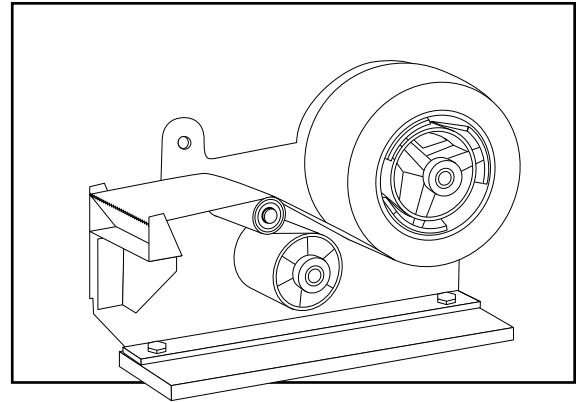


ULINE H-837
**DOUBLE-SIDED DESK
TOP DISPENSER**

1-800-295-5510
uline.com



ULINE H-837
**DOUBLE-SIDED DESK
TOP DISPENSER**

1-800-295-5510
uline.com

| # | DESCRIPTION | QTY. | ULINE PART NO. | MFG. PART NO. |
|----|---|------|----------------|---------------|
| 1 | Frame | 1 | ----- | 9302001000 |
| 2 | Base Plate | 1 | ----- | 9302002000 |
| 3 | Blade Support Frame | 1 | ----- | 9302003000 |
| 4 | Screw Te 6MA x 12 | 2 | ----- | 9302004000 |
| 5 | Washer Diameter 13 x 6 x 1 | 7 | H-837-5 | 9302005000 |
| 6 | Screw 6 MA x 10 | 2 | ----- | 9302006000 |
| 7 | Core Holder Shaft | 1 | H-837-7 | 9302007000 |
| 8 | Hexagonal Nut 8 MA | 1 | H-837-8 | 9100019000 |
| 9 | Steel Washer Diameter 17 mm | 1 | ----- | 9302009000 |
| 10 | Fibre Washer Diameter 52 mm | 1 | H-837-10 | 9302010000 |
| 11 | Steel Washer Diameter 52 mm | 1 | H-837-11 | 9302011000 |
| 12 | Core Holder Gear | 1 | H-837-12 | 9302012000 |
| 13 | Core Holder 50 mm Adjustable Brake | 1 | H-464C | 9100041000 |
| 15 | Nylon Washer For Adjustable Brake | 1 | H-464-28 | 9100028000 |
| 16 | Steel Washer 18 mm For Adjustable Brake | 1 | H-837-16 | 9100029000 |
| 17 | Helical Spring For Adjustable Brake | 1 | H-837-17 | 9100030000 |
| 18 | Knurled Knob For Adjustable Brake | 1 | H-837-18 | 9100031000 |
| 19 | Circlip 6 mm Din 6799 | 3 | H-464-32 | 9100032000 |
| 20 | Spool Shaft | 1 | H-837-20 | 9302020000 |
| 21 | Hexagonal Nut 6 Ma | 3 | H-837-21 | 9100020000 |
| 22 | Spool Gear | 1 | H-837-22 | 9302022000 |
| 23 | Steel Washer Diamter 30 mm | 1 | H-837-23 | 9302023000 |
| 24 | Spool 50Mm Width - 53 mm Diameter | 1 | H-837-24 | 9302024000 |
| 25 | Steel Washer Diameter 27 mm | 1 | H-837-25 | 9302025000 |
| 26 | Nylon Washer For Spool | 1 | H-837-26 | 9302026000 |
| 27 | Helical Spring For Spool | 1 | H-837-27 | 9302027000 |
| 28 | Knurled Knob For Spool | 1 | H-837-28 | 9302028000 |
| 29 | Steel Washer Diameter 14 mm | 2 | H-837-29 | 9302029000 |
| 30 | Intermediate Gear Shaft | 1 | H-837-30 | 9302030000 |
| 31 | Intermediate Gear Z=34 | 1 | H-837-31 | 9302031000 |
| 32 | Plastic Roller Shaft | 1 | ----- | 9302032000 |
| 33 | Plastic Roll | 1 | H-837-33 | 9302033000 |
| 34 | Toothed Blade | 1 | H-837-34 | 9302034000 |
| 35 | Screw 5 Ma x 7 | 2 | H-837-35 | 9100017000 |
| 36 | Washer | 2 | ----- | ----- |