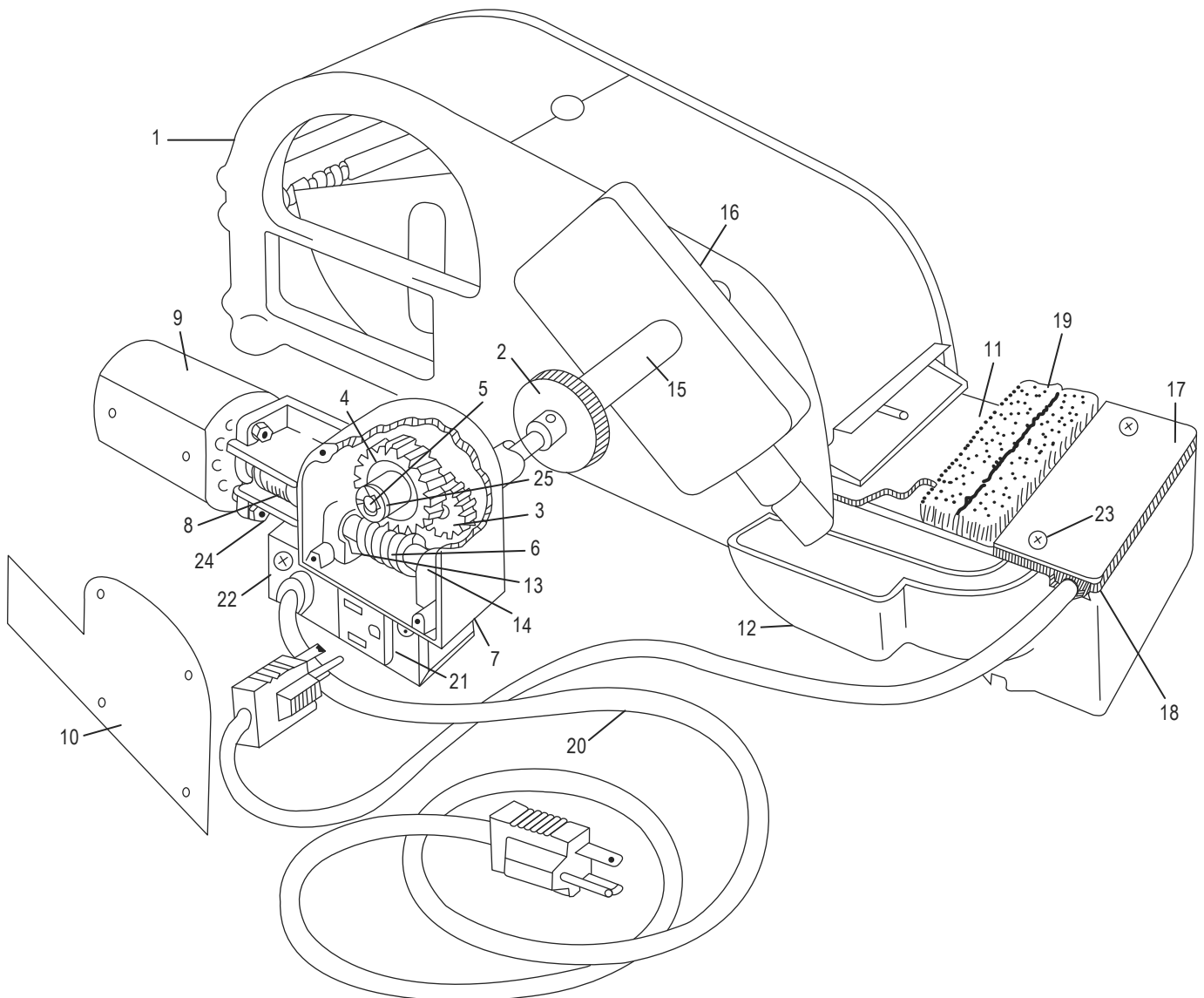
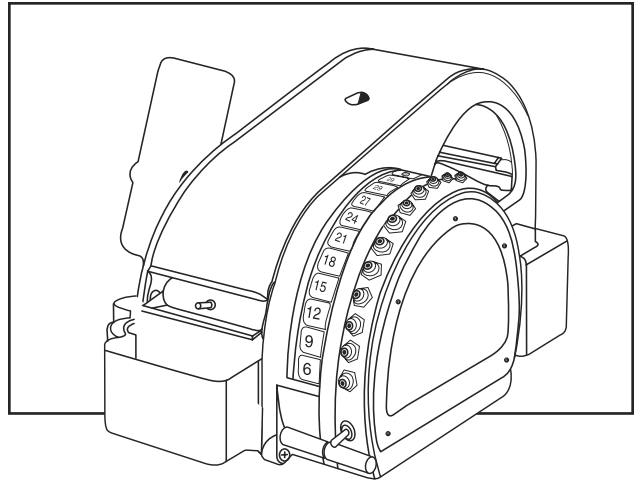


ULINE H-803
ELECTRONIC KRAFT
TAPE DISPENSER

1-800-295-5510
uline.com



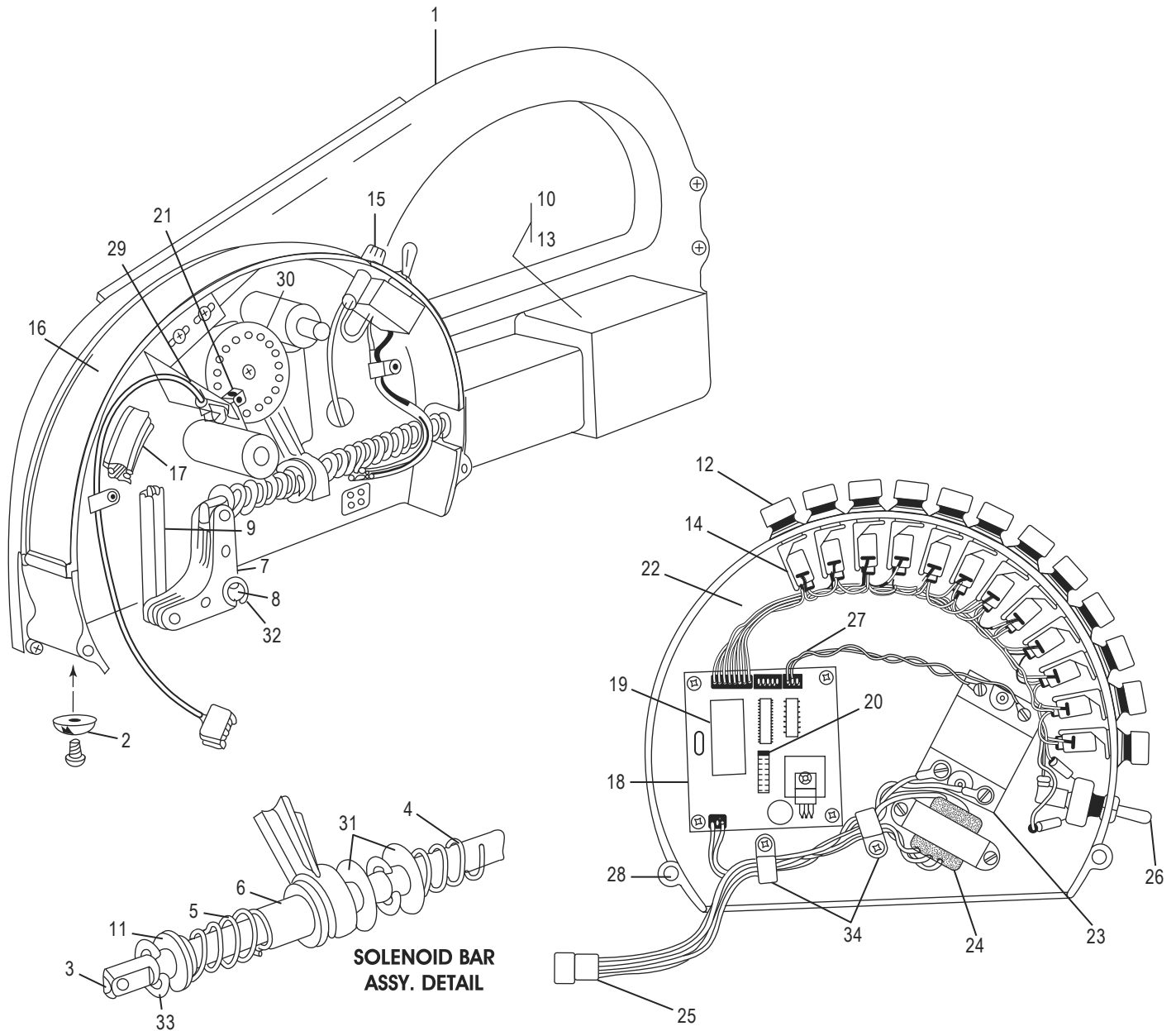
ULINE H-803
ELECTRONIC KRAFT
TAPE DISPENSER

1-800-295-5510
 uline.com

#	DESCRIPTION	QTY	ULINE NO.	MFG. PART NO.
1	Left-Hand Side Frame Assembly	1	-----	98-2
2	Knurled Feed Roll	1	H-803-9824	98-24
3	Feed Roll Pinion & Shaft	1	-----	98-26
4	Worm Gear & Pinion	1	-----	98-27
5	Worm Gear Stud	1	-----	98-30
6	Worm With Shaft	1	-----	98-34
7	Gear Box W/ Bearings	1	-----	98-45
8	Motor Coupling	1	-----	98-49
9	Motor	1	-----	98-50
10	Gear Box Cover	1	-----	98-62
11	Rear Tank Cover	1	-----	98-63
12	Water Tank Assembly	1	H-803-98-65	98-65
13	Worm Shaft Flanged Bearing	1	-----	98-77
14	Worm Shaft Plain Bearing	1	-----	98-78
15	Bottle Holder Clip	1	-----	98-130
16	Water Bottle	1	-----	98-133
17	Tank Cover	1	H-803-98189	98-189
18	Heater Assembly	1	H-803-98-198	98-198
19	Moistening Brush	2	-----	98-307
20	Line Cord	1	-----	98-439
21	Heater Plug Only	1	H-803-98440	98-440
22	Heater Plug Box – Complete	1	-----	98-441
23	8-32 X 3/4" Screw	1	-----	98-H116
24	8-32 Hex Nut/Lockwasher	1	-----	98-H125
25	3/8" Clip Ring	1	-----	98-H268

ULINE H-803
ELECTRONIC KRAFT
TAPE DISPENSER

1-800-295-5510
 uline.com



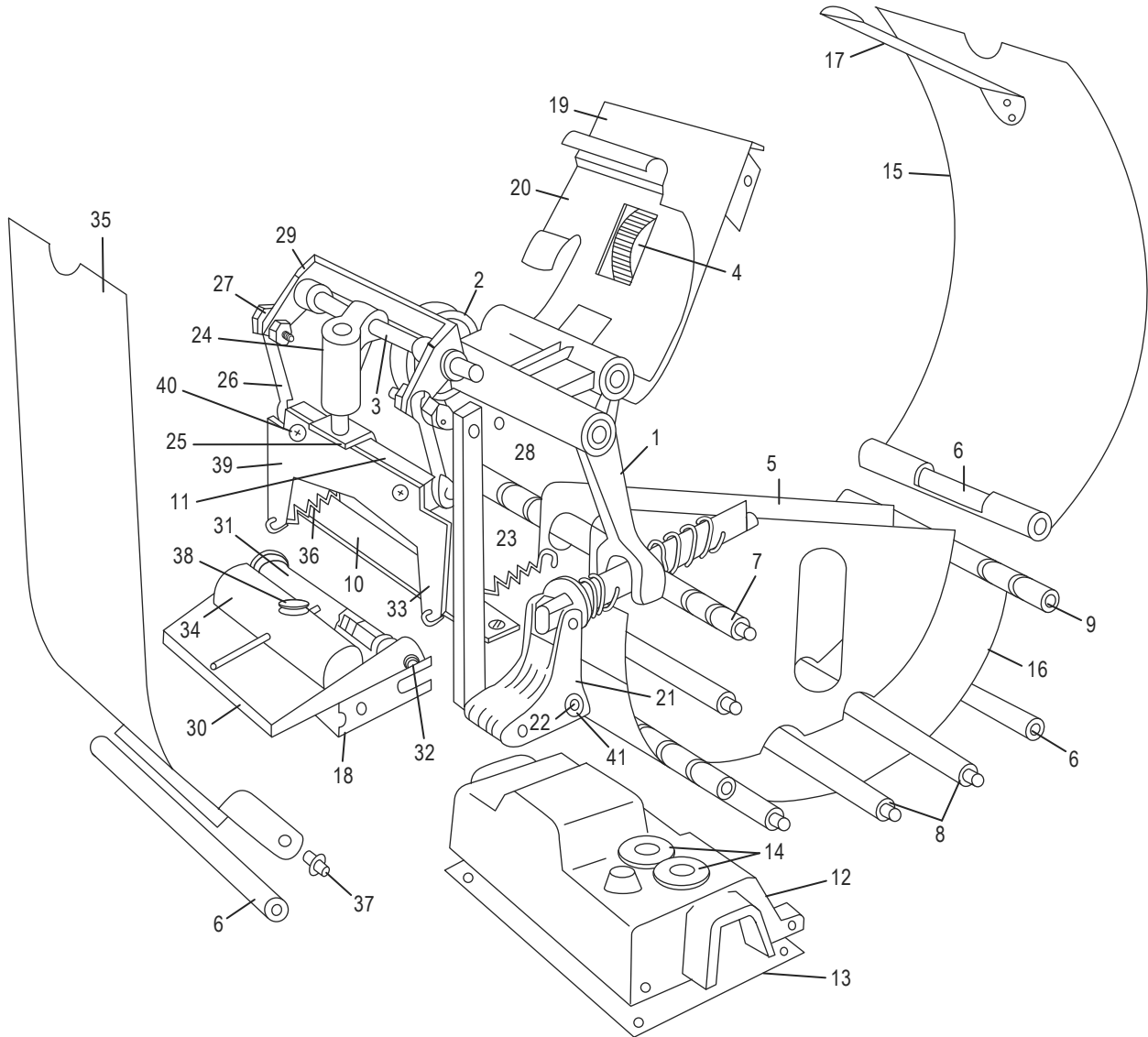
ULINE H-803
ELECTRONIC KRAFT
TAPE DISPENSER

1-800-295-5510
 uline.com

#	DESCRIPTION	QTY	ULINE NO.	MFG. PART NO.
1	Right-Hand Side Frame Assembly	1	-----	98-1
2	Rubber Foot	4	-----	98-56
3	Solenoid Bar	1	-----	98-66
4	Solenoid Return Spring	1	-----	98-73
5	Pinch Roll Spring	1	-----	98-75
6	Spring Sleeve	1	-----	98-76
7	Rocker Arm Assembly	1	-----	98-91
8	Rocker Arm Stud	1	-----	98-92
9	Connecting Link	1	H-803-98-95	98-95
10	Solenoid	1	H-803-98107	98-107
11	Spring Retainer	1	-----	98-205
12	Switch Button	12	H-803-98206	98-206BR
13	Solenoid Housing Assembly	1	-----	98-207
14	Push Button Switch	12	H-803-98348	98-348A
15	Pilot Light	1	-----	98-532
16	Filler Panel	1	-----	98-559
17	Plastic Filler Strip	1	-----	98-599
18	Circuit Board	1	H-803CIRCUIT	98-601
19	Controller Chip	1	-----	98-602
20	Shorting Jumper	1	-----	98-616
21	Photocell Assembly (discontinued part)	1	-----	-----
22	Wiring Harness	1	-----	98-640
23	Solid State Relay	1	-----	98-641
24	Transformer	1	-----	98-642
25	Connector	1	-----	98-644
26	Random/Repeat Switch	1	H-803-98648	98-648
27	Wiring Harness	1	-----	98-649
28	Cover Assembly – Complete	1	-----	98-650
29	Photocell Bracket	1	-----	98-651
30	Interrupter Disc	1	-----	98-652
31	Washer	2	-----	98-H207
32	3/8" Clip Ring	1	-----	98-H268
33	1/2" Clip Ring	1	-----	98-H269
34	Cable Clamp	2	-----	98-H297

ULINE H-803
ELECTRONIC KRAFT
TAPE DISPENSER

1-800-295-5510
uline.com



ULINE H-803
ELECTRONIC KRAFT
TAPE DISPENSER

1-800-295-5510
 uline.com

#	DESCRIPTION	QTY	ULINE NO.	MFG. PART NO.
1	Pinch Roll Arm	1	-----	98-20
2	Pinch Roll	1	H-803-9822	98-22
3	Rocker Bracket Bar	1	-----	98-23
4	Knurled Feed Roll	1	H-803-9824	98-24
5	Tape Roll Guide Plate	2	-----	98-29
6	Frame Tie Rod	2	-----	98-31
7	Grooved Tape Roller	1	-----	98-33
8	Plain Tape Roller	2	-----	98-35
9	Grooved Tape Basket Bar	1	-----	98-37
10	Fixed Knife Blade	1	H-803-39	98-39
11	Knife Hinge Bar	1	-----	98-44
12	Terminal Box	1	-----	98-51
13	Terminal Box Cover	1	-----	98-52
14	Grommet	2	-----	98-53
15	Rear Cover	1	-----	98-55
16	Tape Basket	1	-----	98-57
17	Tape Fold Guide	1	-----	98-58
18	Lower Front Deflector	1	H-803-52059	98-59
19	Lower Feed Plate	1	-----	98-60
20	Upper Feed Plate	1	H-803-98061	98-61
21	Rocker Arm Assembly	1	-----	98-91
22	Rocker Arm Stud	1	-----	98-92
23	Connecting Link	1	H-803-98-95	98-95
24	Plunger Guide	1	-----	98-136
25	Plunger/Bracket Assembly	1	-----	98-137
26	Connecting Link	2	-----	98-139
27	Left-Hand Link Stud	1	-----	98-142
28	Right-Hand Link Stud	1	-----	98-143
29	Rocker Bracket Assembly	1	-----	98-146
30	Platen	1	H-803-PLATN	98-181
31	Platen Pivot Bar & Rod	1	-----	98-182
32	Platen Pivot Plunger	1	-----	98-183
33	Platen Pivot Spring	2	-----	98-184
34	Platen Weight Assembly	1	-----	98-186
35	Front Cover	1	-----	98-187
36	Knife Spring	2	-----	98-190
37	Front Cover Hinge Stud	1	H-803-98191	98-191
38	Weight Thumb Screw	1	-----	98-192
39	Upper Knife Blade	1	H-803-251	98-251
40	10-32 Screw/Lockwasher	2	-----	98-H132
41	3/8" Clip Ring	1	-----	98-H268