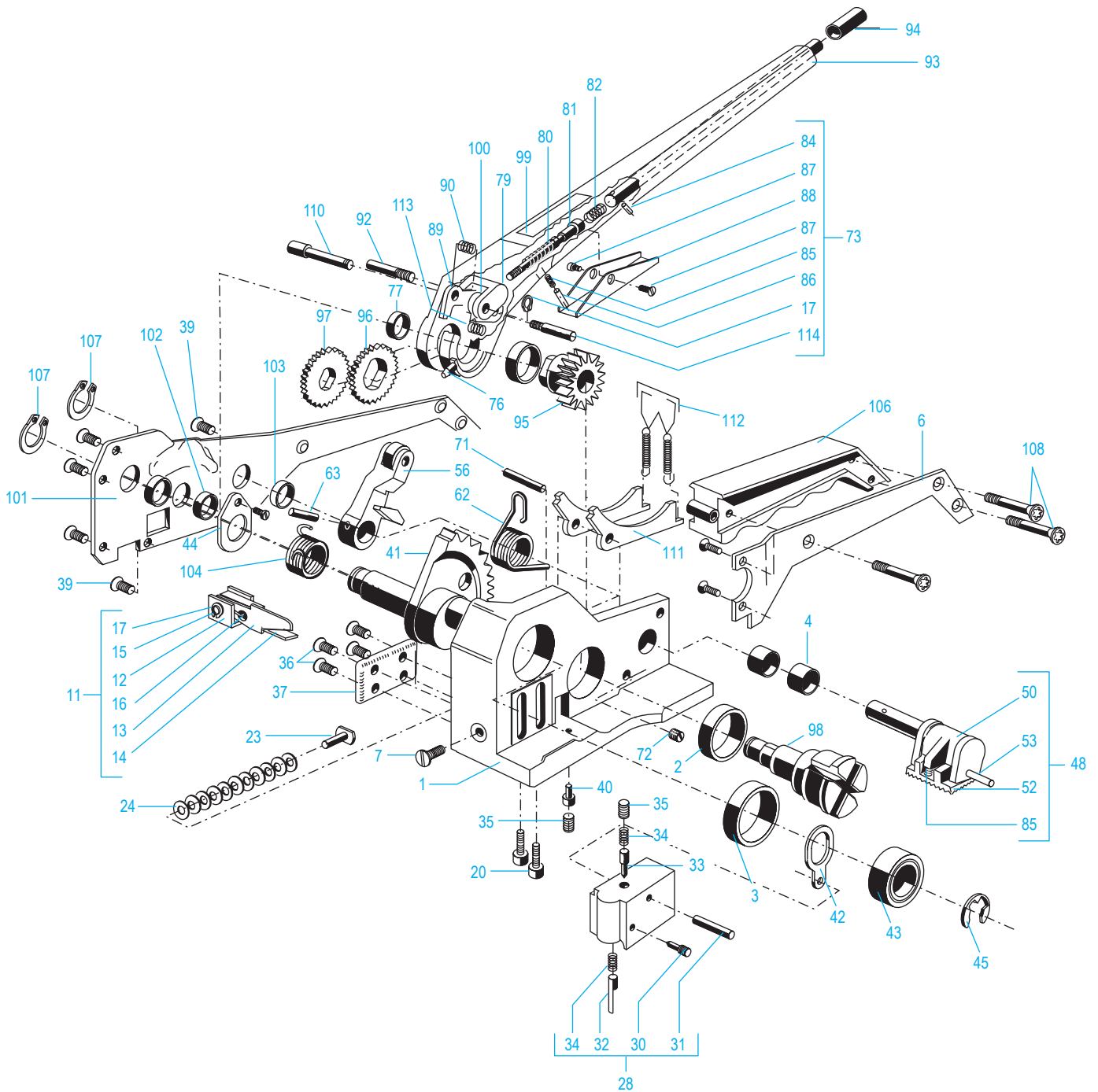
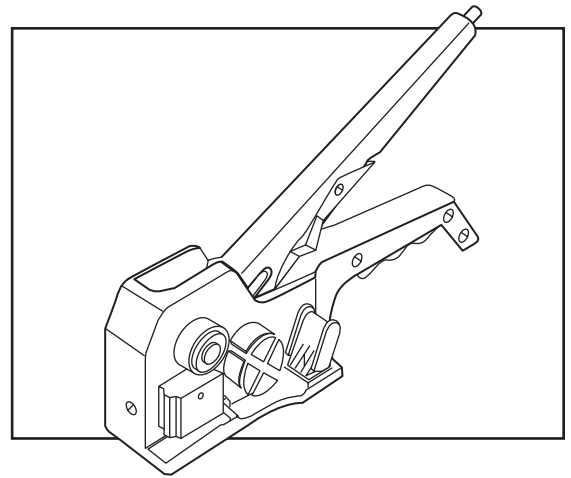


ULINE H-771
ORGAPACK 1/2"
COMBO TOOL

1-800-295-5510
 uline.com



ULINE H-771
ORGAPACK 1/2"
COMBO TOOL

1-800-295-5510
 uline.com

#	DESCRIPTION	QTY.	ULINE PART NO.	MFG. PART NO.
1	Housing Assembly (Incl Pts 1-5)	1	-----	2973.100.093
2	Bearing	1	H-771-BBEAR2	2973.100.094
3	Bearing	1	H-771-BEARNG	2973.100.095
4	Bearing	2	H-771-BEAR	1933.710.100
6	Handle Plate	1	-----	2973.100.096
7	Countersunk Screw	1	H-771-07	1911.704.089
8	Oval Head Screw	2	-----	1821.027.015
11	Knife Assembly (Incl Pts 12-17)	1	H-771-297	2973.100.211
12	Bow	1	-----	2973.100.101
13	Knife	1	H-771-CUTTER	2973.100.102
14	Counter Knife	1	-----	2973.100.103
15	Shaft	1	-----	2973.100.104
16	Spring	1	H-771-SP	2973.100.105
17	Retaining Ring	2	H-771-RTRING	1920.204.042
20	Cylinder Screw	2	H-771-040SCR	1910.803.069
23	Stop Pin	1	H-771-23	2973.100.180
24	Saucer Spring	11	H-771-24	2970.000.010
28	Punch Assembly (Incl Pts 30-35)	1	H-771-CPUNCH	2973.100.214
30	Screw	1	H-771-030	2973.100.139
31	Cylindrical Pin	1	H-1275-030	1921.303.121
32	Seal Stop – Front	1	-----	2973.100.023
33	Seal Retainer	1	-----	2973.100.025
34	Spring	2	-----	2973.100.026
35	Set Screw	2	-----	1910.405.052
36	Countersunk Screw	4	H-771-036	1911.705.109
37	Punch Holding Plate	1	-----	2973.100.107
39	Oval Head Screw	5	H-1275-008	1821.027.016
40	Seal Stop Pin – Rear	1	-----	2973.100.108
41	Eccentric Segment Wheel	1	H-771-ECCDS	2973.100.142
42	Backup Plate	1	H-771-PLATE	2973.100.109
43	Pressure Roller	1	H-771-PRESS	2973.100.110
44	Washer – Back	1	H-771-WASHER	2973.100.181
45	Lock Washer	1	H-771-1920	1920.110.122
48	Clamp Pawl Assembly (Incl Pts 50-54, 85)	1	H-771-CPAWL	2973.100.222
50	Clamp Arm	1	-----	2973.100.265
52	Clamp Plate	1	H-771-1821	1821.046.006
53	Bolt Screw	1	H-771-003	2973.100.033
56	Rocker Assembly	1	-----	2973.100.215
62	Spring	1	H-771-SPG	1821.012.009
63	Roll Pin	1	-----	1921.604.201
71	Cylindrical Pin	1	-----	1921.305.201

ULINE H-771
ORGAPACK 1/2"
COMBO TOOL

1-800-295-5510
 uline.com

#	DESCRIPTION	QTY.	ULINE PART NO.	MFG. PART NO.
72	Set Screw	1	-----	1910.006.108
73	Lever Assembly (Orga Blue)	1	H-771-LEVER	2973.100.268
76	Activating Pin	1	H-771-PIN	2973.100.121
77	Bushing – Back	1	H-771-BSHNGB	2973.100.122
79	Bushing – Front	1	H-771-BSHNGF	2973.100.124
80	Spring – Front	1	-----	2973.100.048
81	Thrust Rod	1	H-771-081	2973.100.049
82	Spring	1	-----	2973.100.050
84	Lock Pin	1	-----	2973.100.052
85	Spring	2	H-771-053SPG	2973.100.053
86	Cylindrical Pin	1	-----	1921.304.121
87	Cylinder Screw	2	H-771-069SCR	1910.804.040
88	Lock Plate	1	-----	2973.100.253
89	Ratchet (Windlass)	1	H-771-#89	2973.100.125
90	Spring	2	H-771-126	2973.100.126
92	Bolt Screw	1	-----	2973.100.128
93	Push Button Assembly (Incl Pt 94)	1	-----	2973.100.252
94	Push Button	1	-----	2973.100.144
95	Gear	1	H-771-GEAR	2973.100.129
96	Ratchet Wheel (Punch)	1	H-771-PUNCH	2973.100.130
97	Ratchet Wheel (Windlass)	1	H-771-WNDLSS	2973.100.131
98	Windlass	1	-----	2973.100.132
99	Warning Plate	1	-----	1820.090.202
100	Ratchet (Punch)	1	H-771-#100	2973.100.260
101	Rear Plate Assembly (Include Pts 102, 103)	1	-----	2973.100.133
102	Bearing	1	H-771-BEAR2	2973.100.134
103	Bearing	1	H-771-BBEAR	2973.100.135
104	Eccentric Spring	1	H-771-#104	2973.100.136
105	Head Screw	1	-----	1912.504.068
106	Handle	1	-----	2973.100.138
107	Retaining Ring	2	H-771-EXRRNG	1920.212.102
108	Oval Head Screw	3	H-771-108	1821.027.017
110	Shoulder Bolt	1	H-771-SHLDR	2973.100.262
111	Pawl	2	H-771-PAWL	2973.100.258
112	Tension Springs And Bow	1	H-771-SPRNG	2973.100.288
113	Spring	1	H-771-057	2973.100.057
114	Threaded Bolt	1	H-771-BOLT	2973.100.261