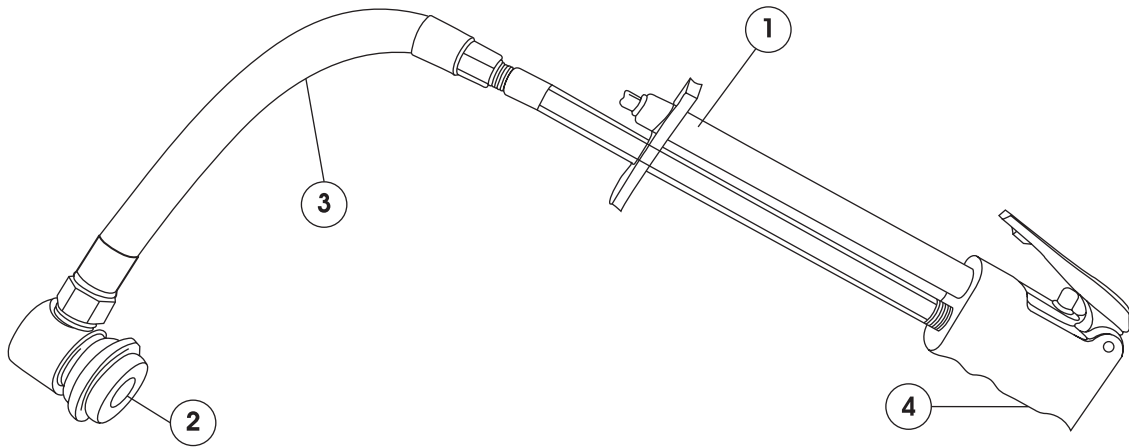
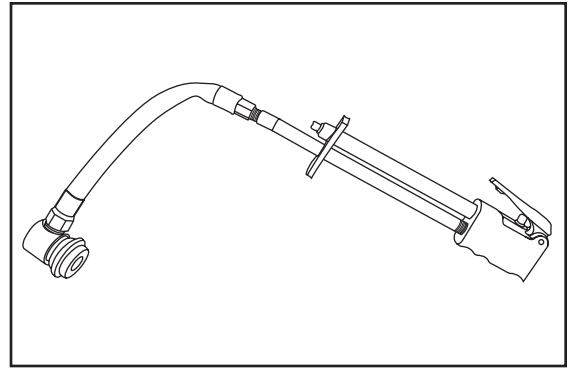


ULINE H-740
INFLATOR GUN

1-800-295-5510
uline.com



| NO | DESCRIPTION | ULINE NO. | MFG. PART NO. |
|----|---|--------------|---------------|
| | FF COMBINATION INFLATOR KIT (NOT SHOWN) | ----- | 163055 |
| 1 | GAUGE ELEMENT | ----- | 088414 |
| 2 | BBS TIP | H-740-BBS | 163077 |
| | BLACK MAX INFLATOR TIP (NOT SHOWN) | H-740-163076 | 163076 |
| 3 | SWIVEL HOSE ASSEMBLY | H-740-163078 | 163078 |
| 4 | VALVE CARTRIDGE | ----- | 163095 |
| | OPTIONAL – HAND HELD GAUGE (NOT SHOWN) | ----- | 088419 |