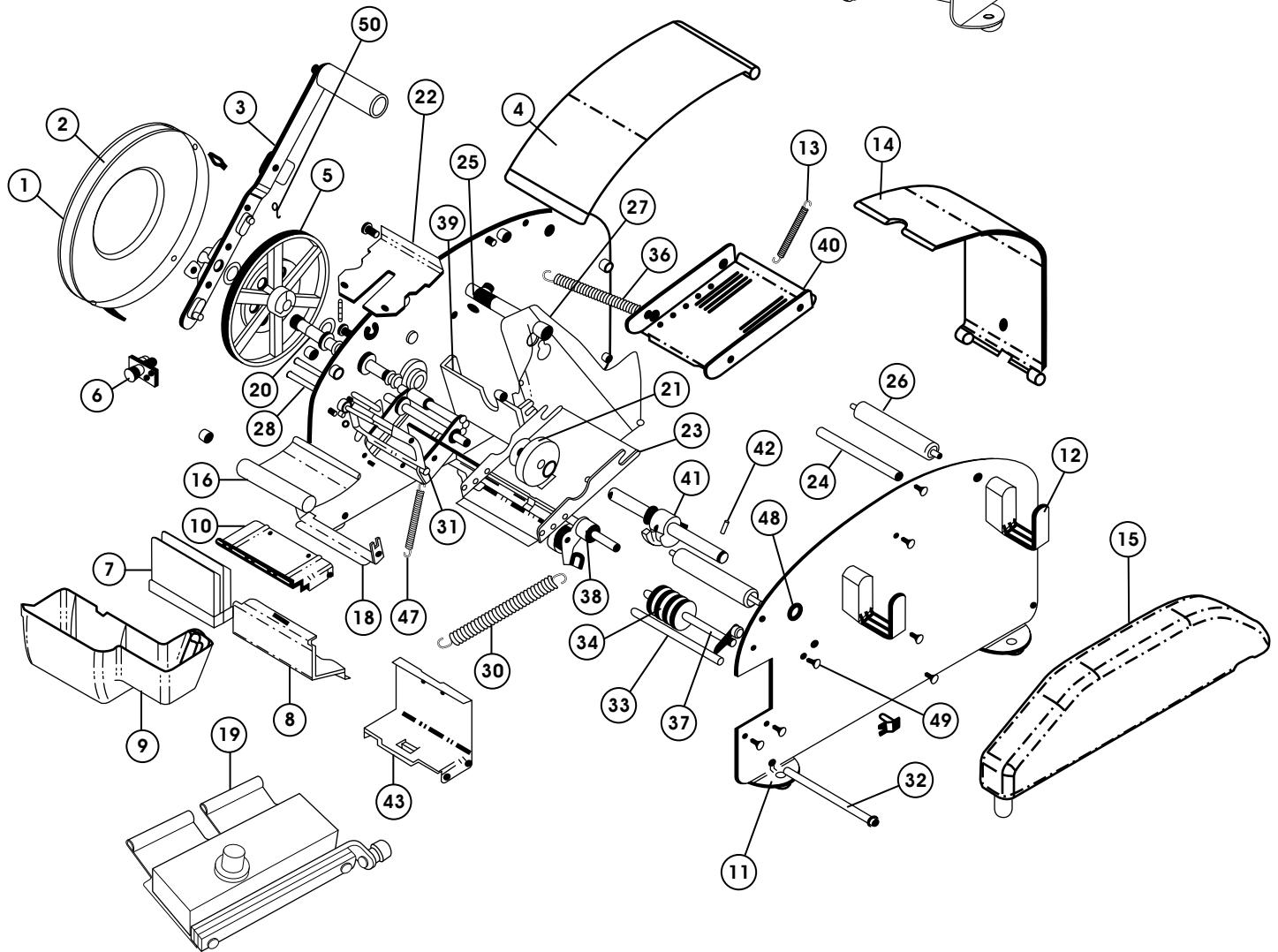
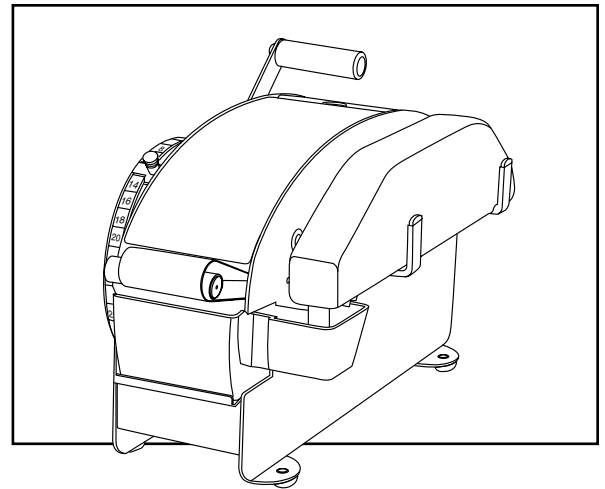


**ULINE** H-35, H-669  
**MANUAL KRAFT**  
**TAPE DISPENSER**

1-800-295-5510  
 uline.com



#	DESCRIPTION	QTY	ULINE PART NO.	MFG. PART NO.
1	Drum	1	H-35-FM80	FM-80
2	Scale Nameplate	1	H-35-FM79	FM-79
3	Crank/Pawl/Handle Assembly	1	H-35FM41FX	FM-41-FX
4	Cover	1	H-35-FM4	FM-4
5	Drive Gear Assembly	1	H-35GE79X	GE-79-X
6	Feed Stop Assembly	1	H-35-FM110XX	FM-110-XX
7	Brush Kit	2	H-35B	PW-107A-K
8	Lower Front Cover	1	-----	FM-3

**ULINE** H-35, H-669  
**MANUAL KRAFT**  
**TAPE DISPENSER**

1-800-295-5510  
 uline.com

#	DESCRIPTION	QTY	ULINE PART NO.	MFG. PART NO.
9	Tank Assembly	1	H-35-FM6AX	FM-6-AX
10	Tank Shelf	1	H-35FM40GLD	FM-40
11	Rubber Foot	4	H-35-A47	A-47
12	Bottle Bracket	2	H-35-BRACKET	FF-612-P
13	Spring	1	H-35-FM64	FM-64
14	Cover	1	H-35-FM5	FM-5
15	Water Bottle	1	H-35WB	FF-610-0
16	Pressure Plate Assembly (For H-35 Only)	1	H-35FM16X	FM-16X
17	Blade Kit	1	H-35FM20BXK	FM-20BX-K
18	Support Bracket	1	H-35-FM130JX	FM-130-JX
19	Heater (For H-669 Only)	1	H-669HEATER	FM55PXXXK
20	Shaft Pinion Sub -Assembly	1	H-35FM49X	FM-49-X
21	Urethane Feed Wheel	1	H-800-506500	E555-065-00
22	Upper Tape Plate	1	H-35-FM12EL	FM-12-EL
23	Lower Tape Plate	1	H-35-FM11X	FM-11-X
24	Tie Rod	1	-----	FM-117
25	Tie Rod Slotted	1	-----	FM-56
26	Tape Roller Assembly	1	H-35FM59X	FM-59-X
27	Roll Guide	2	-----	FM-300
28	Support Rod	1	H-35FM15	FM-15
29	J Plate (For H-669 Only)	1	H-35-FM126J	FM-126J
30	Handle Return Spring	1	H-35FM48AX	FM-48-AX
31	Rocker Sub-Assembly	1	H-35-FM26XXX	FM-26-XXX
32	Tie Screw	1	-----	FM-61
33	Rocker Stop Bar Assembly	1	-----	FM-108-X
34	Wood Spool	1	H-35-WDSPOOL	0010500
36	Spring Hook Assembly	1	H-669-SM33AX	FM-33-AX
37	Pulley Shaft	1	H-35PULSHFT	FM-67
38	Idler Shaft Sub-Assembly	1	H-35FM39XXX	FM-39-XXX
39	Vertical Tie Plate	1	H-35-FM58	FM-58P
40	Basket	1	-----	FM-57X
41	Shaft Cam Assembly	1	H-35-ASSEMBL	FM-46-X
42	Roll Pin 3/16 C 1"	1	-----	235190
43	Safety Baffle	1	H-35-SAFETY	TS33-032001
45	Tab Cutter Shear Blade Kit	1	H-35-FM305K	FM-305-K
46	Feed Wheel Conversion Kit	1	H-35FM304K	FM-304-K
47	Tension Spring	2	H-35FM23HD	FM23HD
48	3/16" Side Retaining Ring	1	H-35WK21BS	WK21BS
49	Screw For The H-35 And H-669	1	H-35FM96	FM96
50	Pawl Spring	1	H-35-K45	K45