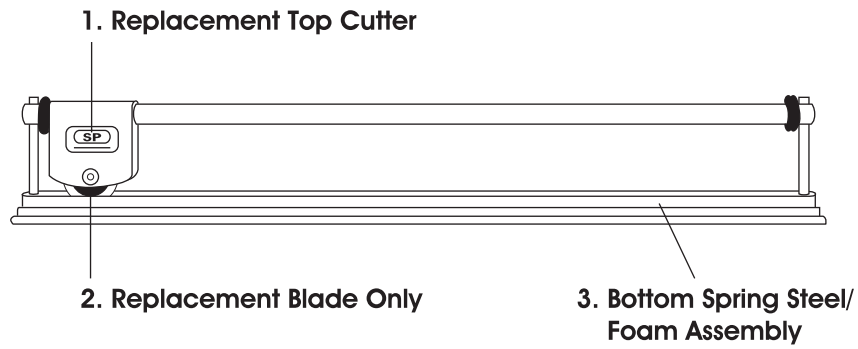
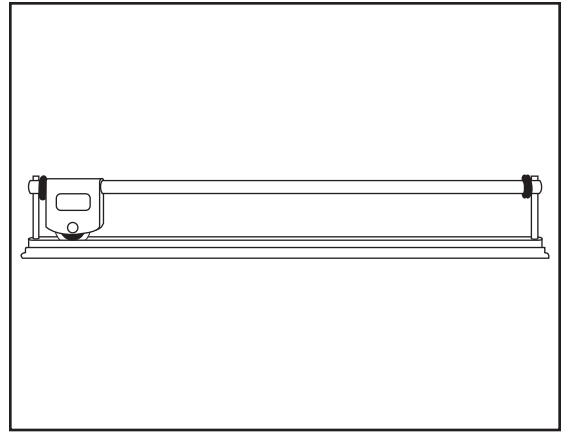


ULINE H-340
48" TABLE TOP CUTTER

1-800-295-5510
uline.com



ULINE H-340
48" TABLE TOP CUTTER

1-800-295-5510
uline.com

DESCRIPTION	ULINE NO.	MFG. PART NO.
REPLACEMENT TOP CUTTER	-----	69022
REPLACEMENT BLADE ONLY	H-340-69015	69015
BOTTOM SPRING STEEL/FOAM ASSEMBLY	H-340-BS	364266