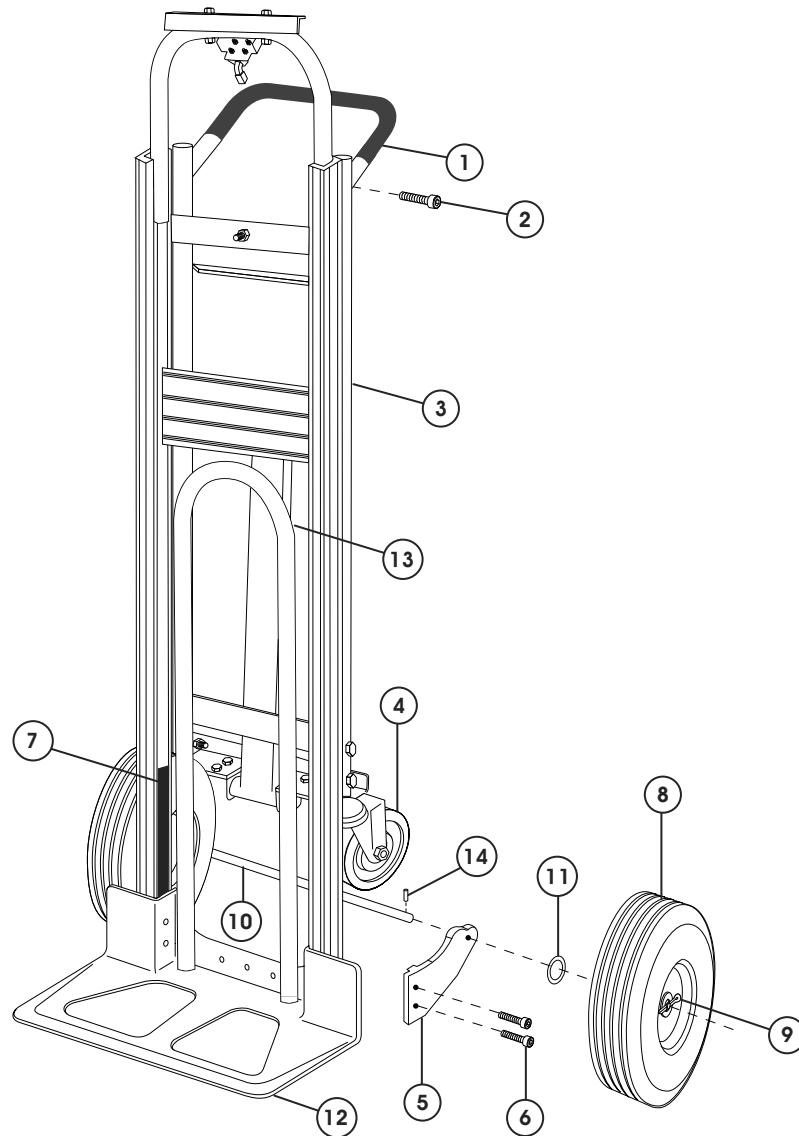
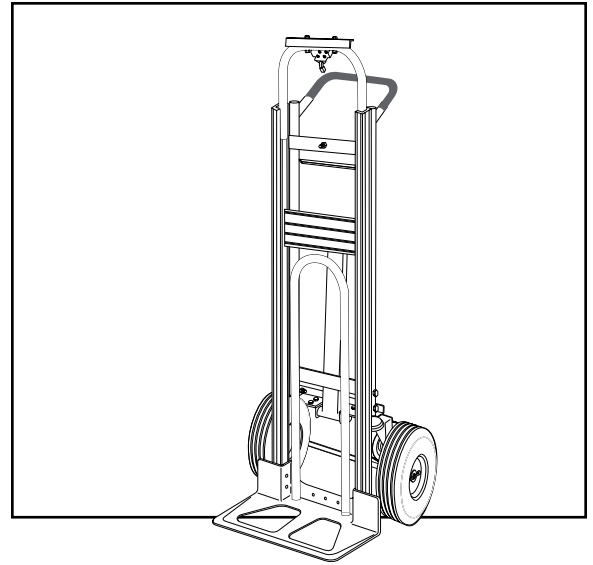


ULINE H-2086
3-IN-1 ALUMINUM
HAND TRUCK

1-800-295-5510
uline.com



ULINE H-2086
**3-IN-1 ALUMINUM
HAND TRUCK**

1-800-295-5510
uline.com

#	DESCRIPTION	QTY.	ULINE PART NO.	MFG. PART NO.
1	Handle Bar	1	H-2086-1	H2086-8
2	10mm x 44.5mm Bolts (Part Of A Kit)	2	-----	-----
3	Frame	1	-----	H2086-6
4	Swivel Casters	2	-----	H-2086-9
5	Right And Left Axle Support (Part Of A Kit)	2	H-2086H	-----
6	14mm x 60mm Bolts (Part Of A Kit)	4	H-2086H	-----
7	Inside Reinforcements (Part Of A Kit)	2	H-2086H	-----
8	Pneumatic Wheels	2	H-1362-W-004	-----
9	Cotter Pins (Part Of A Kit)	2	H-2086H	-----
10	Axle (Part Of A Kit)	1	H-2086H	-----
11	Washers (Part Of A Kit)	4	H-2086H	-----
12	Nose Plate	1	H-1363-NOSE	-----
13	Folding Nose Extension	1	-----	H-2086-1
14	Round Pins (Part Of A Kit)	2	H-2086H	-----
KIT	Hardware Kit (Includes: #2, #5, #6, #7, #9, #10, #11, and #14)	1	H-2086H	-----